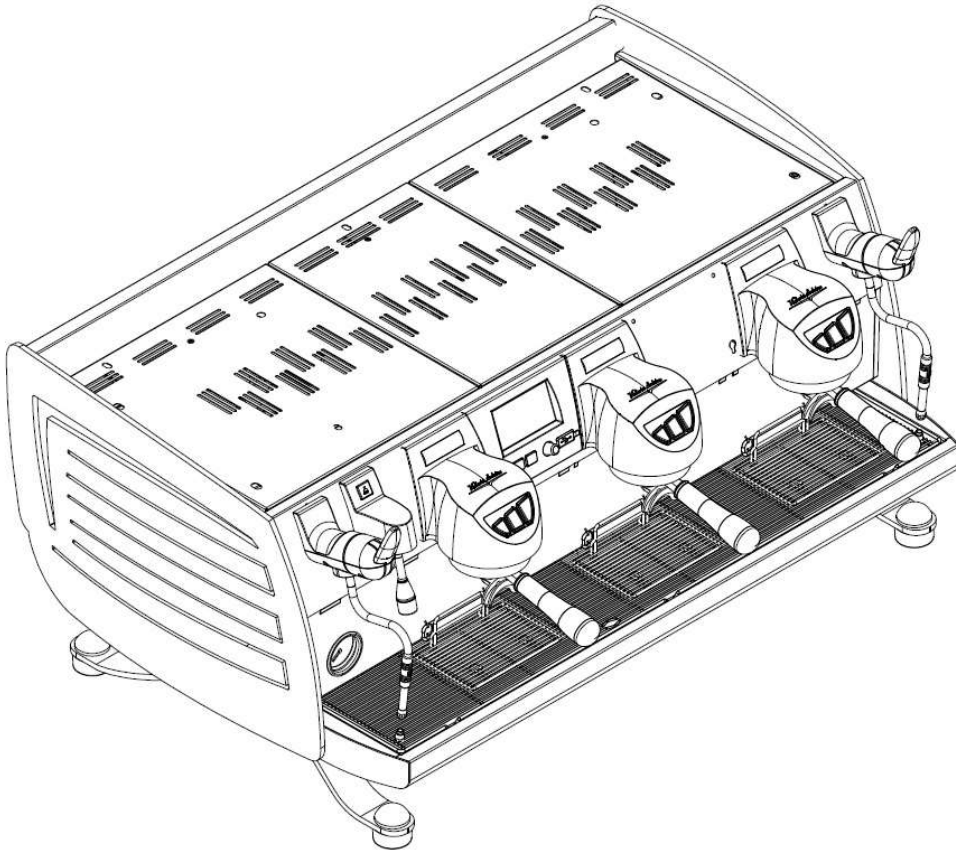


SPARE PARTS BOOK



05/08/2021

Victoria Arduino

INSPIRED BY YOUR PASSION.



INSPIRED BY YOUR PASSION.

- T. 01 **CABINET PARTS**
COMPONENTI GRUPPO CARENA
- T. 02 **CONTROL PANEL ASSEMBLY**
ASSIEME PULSANTERA
- T. 03 **POURING UNIT GROUP PARTS**
COMPONENTI GRUPPO EROGAZIONE
- T. 04 **STEAM AND HOT WATER PARTS**
COMPONENTI VAPORE E ACQUA CALDA
- T. 05 **MIXER PARTS AND STEAM PIPES**
COMPONENTI MISCELATORE E TUBI VAPORE
- T. 06 **T3 BOILER GROUP (UNTIL 17-03-2016)**
GRUPPO CALDAIE T3 (FINO AL 17-03-2016)
- T. 06 - bis **T3 BOILER GROUP (FROM 18-03-2016)**
GRUPPO CALDAIE T3 (DAL 18-03-2016)
- T. 07 **COPPER PIPES (FROM 18-03-2016)**
TUBAZIONI RAME (DAL 18-03-2016)
- T. 08 **HYDR. GROUP PARTS (UNTIL 17-03-2016)**
PARTI GRUPPO IDRAULICO (FINO AL 17-03-2016)
- T. 08 - bis **HYDR. GROUP PARTS (FROM 18-03-2016)**
PARTI GRUPPO IDRAULICO (DAL 18-03-2016)
- T. 09 **PUMP GROUP PARTS**
COMPONENTI GRUPPO POMPA

» LEGEND :

THE CODES WRITTEN IN BOLD REFER TO THE COMPONENTS
EMPLOYED CURRENTLY.

THE CODES USED BEFORE ARE WRITTEN IN CORSIVE WITH INDICATED,
ON THE SIDE, THE END OF VALIDITY DATE.

EXAMPLE:

03001531 - 01/09/2007

03001531



INSPIRED BY YOUR PASSION.

T. 09 - bis **PARTS OLD HYDR. SYSTEM (TO 04-12-2014)**

PARTI VECCHIO IMP. IDR. (AL 04-12-2014)

T. 10 **FRAME PARTS**

PARTI TELAIO

T. 11 **ELECTRIC AND ELECTRONIC PARTS**

PARTI ELETTRICHE ED ELETTRONICHE

T. 12 **AUTOMATIC SCALE PARTS**

COMPONENTI BILANCIA

T. 13 **EASY CREAM PARTS**

COMPONENTI EASY CREAM

» LEGEND :

THE CODES WRITTEN IN BOLD REFER TO THE COMPONENTS
EMPLOYED CURRENTLY.

THE CODES USED BEFORE ARE WRITTEN IN CURSIVE WITH INDICATED,
ON THE SIDE, THE END OF VALIDITY DATE.

EXAMPLE:

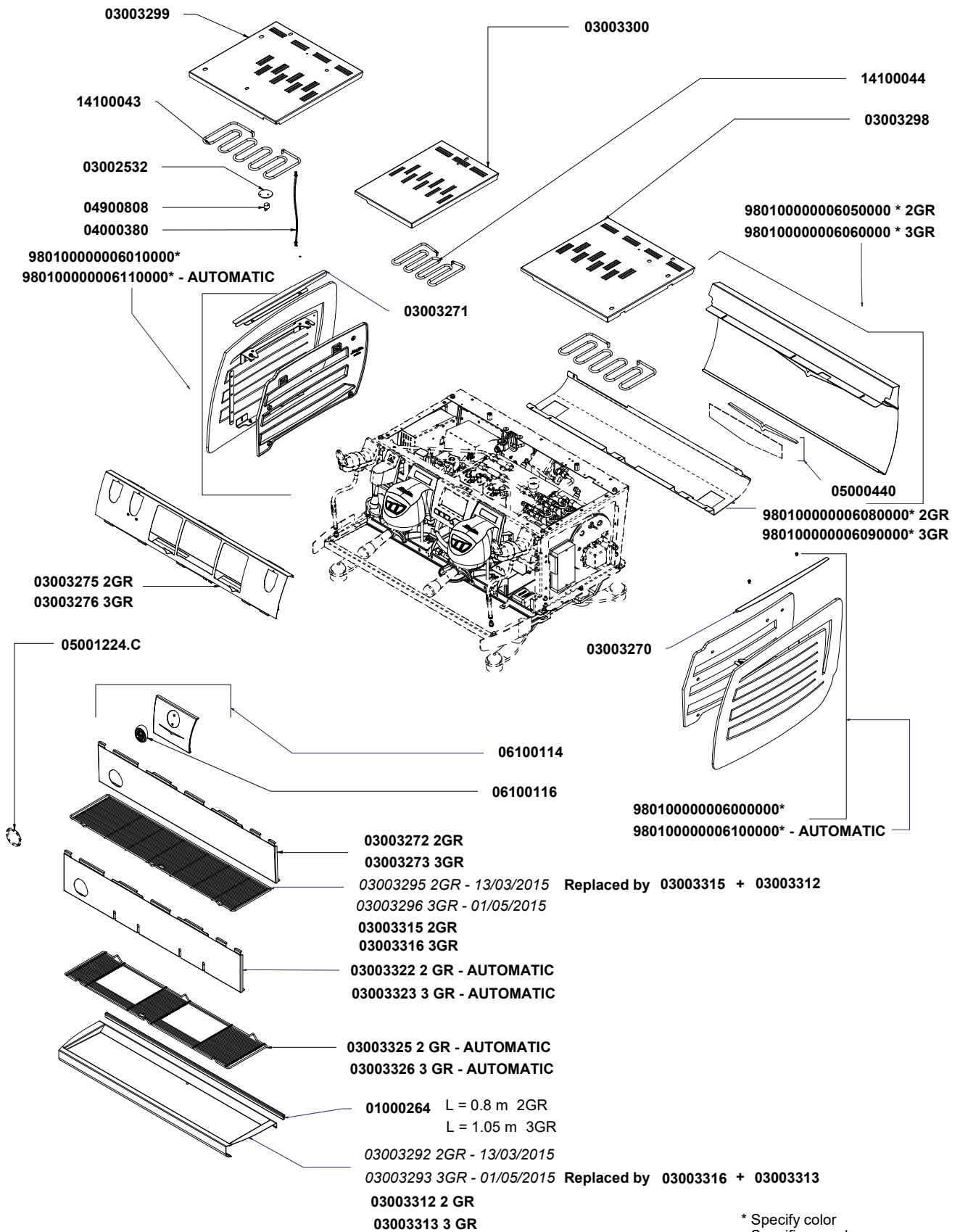
0300153I - 01/09/2007

0300153I



COMPONENTI GRUPPO CARENA

CABINET PARTS



INSPIRED BY YOUR PASSION.



COMPONENTI GRUPPO CARENA

CABINET PARTS

| COD. | DESCRIPTION | DESCRIZIONE | VAL. |
|--------------------|--|---|------|
| 01000264 | WIRED GASKET FOR PLATE VA388 | GUARNIZIONE TRAFILATO ARMATO PER PIATTO | |
| 03002532 | CUP WARMER TEMPERATURE PROBE PLATE | PIASTRINA SENSORE TEMPERATURA SCALDATAZZE | |
| 03003270 | RIGHT UPPER LATERAL FRAME VA388 | MOSTRINA SUP. FIANCO DX VA388 | |
| 03003271 | LEFT UPPER LATERAL FRAME VA388 | MOSTRINA SUP. FIANCO SX VA388 | |
| 03003272 | LOWER FRONT PANEL 2 GR VA388 | PARETE FRONTALE INF. 2GR VA388 | |
| 03003273 | LOWER FRONT PANEL 3 GR VA388 | PARETE FRONTALE INF. 3GR VA388 | |
| 03003275 | UPPER FRONT PANEL 2 GR VA388 | PARETE INVOLUCRO COMANDI 2GR VA388 | |
| 03003276 | UPPER FRONT PANEL 3 GR VA388 | PARETE INVOLUCRO COMANDI 3GR VA388 | |
| 03003292 | WATER DRIP TRAY PLATE 2GR VA388 | PIATTO RACCOGLIACQUA 2GR | |
| 03003296 | WORKTOP NET 3GR VA388 | RETINA PIANO LAVORO 3GR. | |
| 03003298 | RIGHT CUP PANEL/CUP WARMER VA388 | PORTATAZZE SUPER. DX VA388 | |
| 03003299 | LEFT CUP PANEL/CUP WARMER VA388 | PORTATAZZE SUPER. SX VA388 | |
| 03003300 | CENTRAL CUP PANEL/CUP WARMER VA388 | PORTATAZZE SUPER. CENTR. VA388 | |
| 03003312 | DEEP DRAIN TRAY 2GR VA388 | PIATTO RACCOGLIACQUA PROFONDO 2GR. VA388 | |
| 03003313 | DEEP DRAIN TRAY 3GR VA388 | PIATTO RACCOGLIACQUA PROFONDO 3GR. VA388 | |
| 03003315 | WORKTOP GRILL DEEP 2 GR VA388 | RETINA PIANO LAVORO PROFONDO 2GR. VA388 | |
| 03003316 | WORKTOP GRILL DEEP 3G R VA388 | RETINA PIANO LAVORO PROFONDO 3GR. VA388 | |
| 03003322 | BOTTOM COVER PANEL 2 GR VA388 SCALE | PARETE FRONTALE INF. 2GR VA388 PER BILANCE | |
| 03003323 | BOTTOM COVER PANEL 3 GR VA388 SCALE | PARETE FRONTALE INF. 3GR VA388 PER BILANCE | |
| 03003325 | WORKTOP GRILL DEEP 2 GR VA388 SCALE | RETINA PIANO LAVORO PROFONDO 2GR. VA388 PER BILANCE | |
| 03003326 | WORK GRILL DEEP 3 GR VA388 SCALE | RETINA PIANO LAVORO PROFONDO 3GR. VA388 PER BILANCE | |
| 04000380 | CUPWARMER SENSOR CONN CABLE AURELIA L=100MOD | CAVO COLL. SONDA SCALDATAZZE AURELIA L=100CM MOD | |
| 04900808 | CUPWARMER TEMPERATURE PROBE AURELIA | SONDA TEMPERATURA SCALDATAZZE AURELIA | |
| R04900808 | KIT-CUPWARMER TEMPERATURE PROBE - 2Pcs | KIT-SONDA TEMPERATURA SCALDATAZZE - 2Pz | |
| 05000440 | BACK PANEL LOGO VA388 COMPLETE W/ SUPPORT | LOGO POSTERIORE VA388 COMPLETO DI SUPPORTO | |
| 05001224.C | WATER GAUGE PLATE AURELIA II CHROME | MOSTRINA MANOMETRO AURELIA II CROMATA | |
| 06100114 | CLOSED CASING W/ LOGO VA388 3GR CHROME | CARTER CHIUSO CROMATO CON LOGO VA388 3GR. | |
| 06100116 | ROUND LOGO VA388 | LOGO CIRCOLARE VA388 | |
| 14100043 | CUPWARMER HEATING ELEMENT L=303 150W 230V | RESISTENZA SCALDATAZZE L=303 150W 230V | |
| 14100044 | CUPWARMER HEATING ELEMENT L=188 100W 230V | RESISTENZA SCALDATAZZE L=188 100W 230V | |
| 980100000006000001 | RIGHT SIDE PANEL SET STEELUX | ASS. FIANCO DX VA388 STEELUX | |
| 980100000006000002 | RIGHT SIDE PANEL SET BLACK | ASS. FIANCO DX VA388 NERO | |
| 980100000006000003 | RIGHT SIDE PANEL SET WHITE | ASS. FIANCO DX VA388 BIANCO | |
| 980100000006000004 | RIGHT SIDE PANEL SET VA388 BRUSHED COPPER | ASS. FIANCO DX VA388 RAME SPAZZOLATO | |
| 980100000006000005 | RIGHT SIDE PANEL SET VA388 PAINTED COPPER | ASS. FIANCO DX VA388 RAME VERNICIATO | |
| 980100000006010001 | LEFT SIDE PANEL SET STEELUX | ASS. FIANCO SX VA388 STEELUX | |
| 980100000006010002 | LEFT SIDE PANEL SET BLACK | ASS. FIANCO SX VA388 NERO | |
| 980100000006010003 | LEFT SIDE PANEL SET WHITE | ASS. FIANCO SX VA388 BIANCO | |
| 980100000006010004 | LEFT SIDE PANEL SET VA388 BRUSHED COPPER | ASS. FIANCO SX VA388 RAME SPAZZOLATO | |
| 980100000006010005 | LEFT SIDE PANEL SET VA388 PAINTED COPPER | ASS. FIANCO SX VA388 RAME VERNICIATO | |
| 980100000006050001 | BACK PANEL SET 2GR STEELUX+SUP.BLACK | ASS. RETRO VA388 2GR. STEELUX+SUP. NERO | |
| 980100000006050002 | BACK PANEL SET 2GR STEELUX+SUP.STEELUX | ASS. RETRO VA388 2GR. STEELUX+SUP. STEELUX | |
| 980100000006050003 | BACK PANEL SET 2GR STEELUX+SUP.WHITE | ASS. RETRO VA388 2GR. STEELUX+SUP. BIANCO | |
| 980100000006050004 | BACK PANEL SET VA388 2GR BLACK+SUP.BLACK | ASS. RETRO VA388 2GR. NERO+SUP. NERO | |
| 980100000006050005 | ASS. RETRO VA388 2GR.+SUP. BRUSHED COPPER | ASS. RETRO VA388 2GR.+SUP. RAME SPAZZOLATO | |
| 980100000006050006 | ASS. RETRO VA388 2GR.+SUP. PAINTED COPPER | ASS. RETRO VA388 2GR.+SUP. RAME VERNICIATO | |
| 980100000006050007 | ASS. RETRO VA388 2GR.+SUP. WHITE | ASS. RETRO VA388 2GR.+SUP. BIANCO | |



INSPIRED BY YOUR PASSION.

T. 01



COMPONENTI GRUPPO CARENA

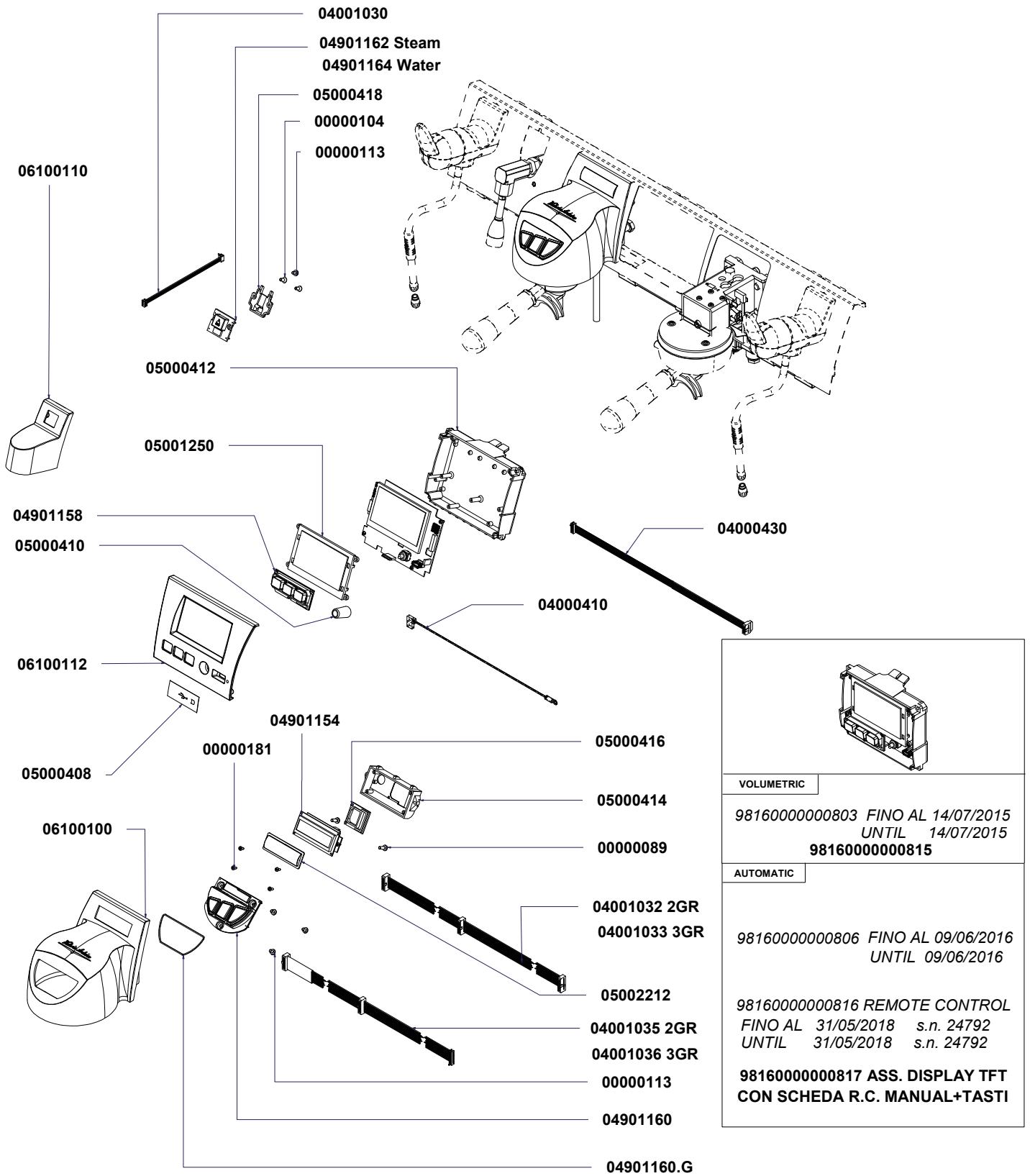
CABINET PARTS

| COD. | DESCRIPTION | DESCRIZIONE | VAL. |
|--------------------|--|---|------|
| 980100000006060001 | BACK PANEL SET 3GR STEELUX+SUP.STEELUX | ASS. RETRO VA388 3GR. STEELUX+SUP. STEELUX | |
| 980100000006060002 | BACK PANEL SET 3GR STEELUX+SUP.BLACK | ASS. RETRO VA388 3GR. STEELUX+SUP. NERO | |
| 980100000006060003 | BACK PANEL SET 3GR STEELUX+SUP.WHITE | ASS. RETRO VA388 3GR. STEELUX+SUP. BIANCO | |
| 980100000006060004 | BACK PANEL SET VA388 3GR BLACK+SUP.BLACK | ASS. RETRO VA388 3GR. NERO+SUP. NERO | |
| 980100000006060005 | ASS. RETRO VA388 3GR.+SUP. BRUSHED COPPER | ASS. RETRO VA388 3GR.+SUP. RAME SPAZZOLATO | |
| 980100000006080001 | INFERIOR BACK PANEL SET VA388 2GR | ASS. RETRO INFERIORE VA388 2GR. STEELUX | |
| 980100000006080002 | INFERIOR BACK PANEL SET VA388 2GR BLACK | ASS. RETRO INFERIORE VA388 2GR. NERO | |
| 980100000006080003 | INFERIOR BACK PANEL SET VA388 2GR BRUSHED COPPER | ASS. RETRO INFERIORE VA388 2GR. RAME SPAZZOLATO | |
| 980100000006080004 | INFERIOR BACK PANEL SET VA388 2GR PAINTED COPPER | ASS. RETRO INFERIORE VA388 2GR. RAME VERNICIATO | |
| 980100000006080005 | INFERIOR BACK PANEL SET VA388 2GR WHITE | ASS. RETRO INFERIORE VA388 2GR. BIANCO | |
| 980100000006090001 | INFERIOR BACK PANEL SET VA388 3GR | ASS. RETRO INFERIORE VA388 3GR. STEELUX | |
| 980100000006090002 | INFERIOR BACK PANEL SET VA388 3GR BLACK | ASS. RETRO INFERIORE VA388 3GR. NERO | |
| 980100000006090003 | INFERIOR BACK PANEL SET VA388 3GR BRUSHED COPPER | ASS. RETRO INFERIORE VA388 3GR. RAME SPAZZOLATO | |
| 980100000006090004 | INFERIOR BACK PANEL SET VA388 3GR PAINTED COPPER | ASS. RETRO INFERIORE VA388 3GR. RAME VERNICIATO | |
| 980100000006090006 | INFERIOR REAR ASSEMBLY VA388 3GR. WHITE | ASS. RETRO INFERIORE VA388 3GR. BIANCO | |
| 980100000006100001 | RIGHT SIDE PANEL SET VA388 GRAVIMETRIC | ASS. FIANCO DX VA388 GRAVIMETRICA | |
| 980100000006110001 | LEFT SIDE PANEL SET VA388 GRAVIMETRIC | ASS. FIANCO SX VA388 GRAVIMETRICA | |



ASSIEME PULSANTIERA

CONTROL PANEL ASSEMBLY





ASSIEME PULSANTIERA

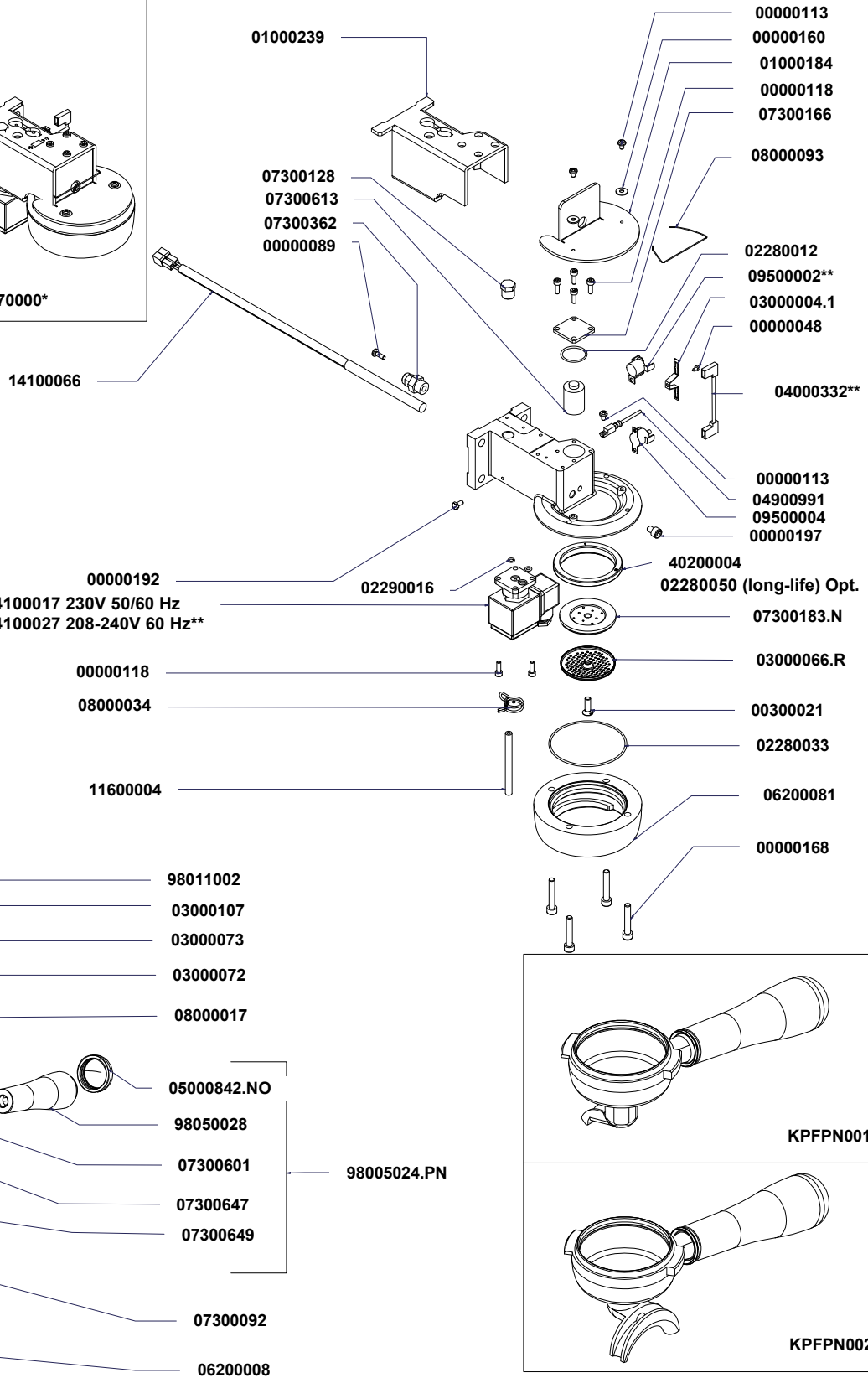
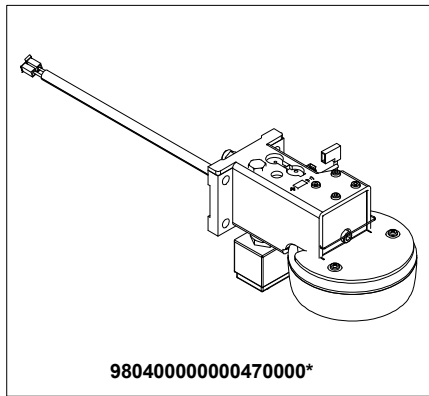
CONTROL PANEL ASSEMBLY

| COD. | DESCRIPTION | DESCRIZIONE | VAL. |
|---------------|---|--|------|
| 00000089 | S/S CROSSHEAD CAP SCREW M4x12 DIN7985 | VITE INOX M4X12 TC TCR DIN7985 | |
| 00000104 | S/S CROSSHEAD COUNTERSUNK SCREW M4x10 DIN965 | VITE INOX M4X10 TSP TCR DIN965 | |
| 00000113 | S/S CROS SHEAD CAP SCREW M4x6 7985 | VITE INOX M4X6 TC T.CR. 7985 | |
| 00000181 | GALV CROSS HCS 3x8 DBL SPIRAL HILO TYPE UNI 9707 | VITE TCTCR 3X8 DOPPIA ELICA HILO ZINC. UNI9707 | |
| 04000410 | GROUND CONNECTION CABLE COLOR DISPLAY AURELIA II | CAVO COLL. TERRA "DISPLAY A COLORI" AURELIA II | |
| 04000430 | FLAT CABLE 10WAY CONTROL BOARD-TFT DISPLAY | CAVO 10 VIE COLL. CENTRALINA -"DISPLAY A COLORI" | |
| 04001030 | 6WAY CABLE STEAM/HOT WATER VA388 | CAVO 6 VIE VAPORE-ACQUA CALDA VA388 | |
| 04001032 | 16WAY CABLE GR DISPLAY 2GR VA388 | CAVO 16 VIE DISPLAY GRUPPI VA388 2GR | |
| 04001033 | 16WAY CABLE GR DISPLAY 3GR VA388 | CAVO 16 VIE DISPLAY GRUPPI VA388 3GR | |
| 04001035 | 16WAY CABLE KEYPAD 2GR VA388 | CAVO 16 VIE PULSANTIERE VA388 2GR | |
| 04001036 | 16WAY CABLE KEYPAD 3GR VA388 | CAVO 16 VIE PULSANTIERE VA388 3GR | |
| R04001036 | KIT-16WAY CABLE KEYPAD 3GR - 1Pcs | KIT-CAVO 16 VIE PULSANTIERE - 1Pz | |
| 04901154 | GR DISPENSING DISPLAY BOARD VA388 | SCHEDA DISPLAY GRUPPO EROG. VA388 | |
| 04901158 | 3KEY SERVICE KEYPAD VA388 | SCHEDA SERVIZI 3 TASTI VA388 | |
| 04901160 | 3KEY DISPENSING KEYPAD VA388 | SCHEDA EROGAZ. 3 TASTI VA388 | |
| 04901160.G | GASKET FOR 3KEY DISPENSING KEYPAD VA388 | GUARNIZIONE PER SCHEDA EROGAZ. 3 TASTI VA388 | |
| 04901162 | STEAM DISPENSING KEY VA388 | SCHEDA EROGAZ. 1 TASTO VAPORE VA388 | |
| 04901164 | WATER DISPENSING KEY VA388 | SCHEDA EROGAZ. 1 TASTO ACQUA CALDA VA388 | |
| R04901164 | KIT-WATER DISPENSING KEY - 1Pcs | KIT-SCHEDA EROGAZ. 1 TASTO ACQUA CALDA - 1Pz | |
| 05000410 | ROTARY SWITCH HANDLE VA388 | POMELLO ROTARY SWITCH VA388 | |
| 05000412 | TFT DISPLAY BOARD COVER + ROTARY VA388 | CHIUSURA SCHEDA DISPLAY+ROTARY VA388 | |
| 05000414 | DISPLAY GROUP DISPENSING COVER VA388 | CHIUSURA DISPLAY GR.EROGAZIONE VA388 | |
| 05000416 | PROTECTION GROUP DISPLAY CABLE VA388 | PROTEZIONE CAVO DISPLAY GRUPPO VA388 | |
| 05000418 | 1KEY PROTECTION VA388 | PROTEZIONE 1 TASTO VA388 | |
| 05001250 | DISPLAY PROTECTION AURELIA II TFT | VETRINO PROTEZIONE DISPLAY A COLORI AURELIA II | |
| 05002212 | DISPLAY PROTECTION ADONIS | PROTEZIONE DISPLAY ADONIS | |
| 06100100 | GROUP COVER VA388 CHROME | COPRIGRUPPO CROMATO VA388 | |
| 06100110 | HOT WATER TAP COVER VA388 CHROME | COPRI RUBINETTO ACQUA CALDA CROMATO VA388 | |
| 06100112 | CASING TFT DISPLAY VA388 CHROME | CARTER DISPLAY VA388 CROMATO | |
| 9816000000803 | TFT DISPLAY SET VA388 CON SCHEDA + TASTI | ASS.DISPLAY TFT VA388 CON SCHEDA + TASTI | |
| 9816000000806 | TFT DISPLAY SET VA388 GRAV. + KEYS + BOARD | ASS.DISPLAY TFT VA388 GRAV. CON SCHEDA + TASTI | |
| 9816000000815 | TFT DISPLAY SET VA388 + KEYS + REMOTE CNTRL BOAR | ASS.DISPLAY TFT VA388 CON SCHEDA REMOTE CONTROL | |
| 9816000000816 | TFT DISPLAY SET VA388 GRAV. + KEYS+ RMTE CNTRL BR | ASS.DISPLAY TFT VA388 GRAV. CON SCHEDA REMOTE CO | |
| 9816000000817 | TFT DISPLAY SET VA388 MANUAL + KEYS | ASS.DISPLAY TFT VA388 MANUAL + TASTI | |



COMPONENTI GRUPPO EROGAZIONE

POURING UNIT GROUP PARTS



* Specify version
Specificare versione

**North America Market
Mercato Nord America



INSPIRED BY YOUR PASSION.



COMPONENTI GRUPPO EROGAZIONE

POURING UNIT GROUP PARTS

| COD. | DESCRIPTION | DESCRIZIONE | VAL. |
|-------------|--|---|------|
| 00000048 | SELF-TAPPING SCREW 2.9x4.5 TC/T.CR. | VITE AUTOF 2,9X4,5 TC/T.CR. | |
| 00000089 | S/S CROSSHEAD CAP SCREW M4x12 DIN7985 | VITE INOX M4X12 TC TCR DIN7985 | |
| 00000113 | S/S CROS SHEAD CAP SCREW M4x6 7985 | VITE INOX M4X6 TC T.C.R. 7985 | |
| 00000118 | S/SHEX SOCKET CAP SCREW M4x12 5931 | VITE INOX M4X12 TCEI 5931 | |
| 00000160 | S/S WASHER D4X12 UNI 6593 | RONDELLA INOX D4X12X1 UNI 6593 | |
| 00000168 | S/S HEXAGON SOCKET HEAD SCREW M6x35 UNI 5931 | VITE INOX M6X35 TCEI 5931 | |
| 00000192 | S/S SCREW M4x8 TE UNI 5739 | VITE INOX M4X8 TE UNI 5739 | |
| 00000197 | S/S HEX SOCKET CAP SCREW M6x8 ISO 4762 | VITE INOX M6X8 TCEI ISO 4762 | |
| 00300021 | S/S SLT COUNTERSUNK SCREW M6X18 DIN963 | VITE INOX M6X18 TSP TC DIN963 | |
| R00300021 | KIT-S/S SLT COUNTERSUNK SCREW M6X18 - 30Pcs | KIT-VITE INOX M6x18 - 30Pz | |
| 01000184 | ADONIS GROUP INSULATOR | ISOLANTE GRUPPO EROGAZIONE ADONIS | |
| 01000239 | GROUP BREWING INSULATION AURELIA II T3 | ISOLANTE GRUPPO EROG. AURELIA II T3 | |
| 02280012 | GASKET O RING 2093 D.27 EP851 | GUARN. OR 2093 D.27 VITON DF 801 | |
| R02280012 | KIT-GASKET O RING 2093 D.27 EP - 30Pcs | KIT-GUARN. OR D.27 VITON DF - 30Pz | |
| 02280033 | GASKET O RING 75,92x1,78 NBR XP70 | GUARN. OR 75,92X1,78 NBR XP70 2300 | |
| R02280033 | KIT-GASKET O RING 75,92x1,78 NBR - 20Pcs | KIT-GUARN. OR 75,92x1,78 NBR - 20Pz | |
| 02280050 | RED LONG LIFE CONICAL GASKET SHEATH | GUARNIZ. SOTTOCOPPA CONICA LONG LIFE - ROSSO (GR) | |
| 02290016 | GASKET O RING D9,5 R5 SIL RED | GUARN. OR D 9,5 R5 SILICONE R. | |
| R02290016 | KIT-GASKET O RING D9,5 SIL RED - 30Pcs | KIT-GUARN. OR D 9,5 SILICONE R. - 30Pz | |
| 03000004.1 | DOUBLE BRACKET FOR THERMOSTAT | STAFFA DOPPIA X TERMOSTATO | |
| 03000066.R | S/S SHOWER REINFORCED | DOCCIA INOX RINFORZATA AISI304 | |
| R03000066.R | KIT-S/S SHOWER REINFORCED - 4Pcs | KIT-DOCCIA INOX RINFORZATA Aisi304 - 4Pz | |
| 03000072 | FILTER ONE COFFEE HIGH 7gr | FILTRO 1 CAFFE' ALTO 7GR. | |
| R03000072 | KIT-FILTER ONE COFFEE HIGH 7gr - 3Pcs | KIT-FILTRO 1 CAFFE' ALTO 7gr. - 3Pz | |
| 03000073 | FILTER TWO COFFEE HIGH 14gr | FILTRO 2 CAFFE' ALTO 14GR. | |
| R03000073 | KIT-FILTER TWO COFFEE HIGH 14gr - 3Pcs | KIT-FILTRO 2 CAFFE' ALTO 14gr. - 3Pz | |
| 03000107 | BLIND FILTER | FILTRO CIECO | |
| R03000107 | KIT-BLIND FILTER - 8Pcs | KIT-FILTRO CIECO - 8Pz | |
| 04000332 | EXT L=85 + FASTON F-F A FLAG AWG18 BROWN | CAVALLOTTO L=85 + FASTON F-F A BANDIERA | |
| 04100017 | 3WAY SOLENOID DIS BASE 1/8220-230V50/60Hzz F1.5 CE | E.V. NC 3VIE BASETTA SCAR. 1/8 220-230V 50/60HZ CE | |
| R04100017 | KIT-3WAY SOLENOID DIS BASE 1/8220-230V50/60Hzz - 1Pc | KIT-E.V. NC 3VIE BASETTA SCAR. 1/8220-230V 50/60Hz- 1Pz | |
| 04100027 | 3WAY SOLENOID DIS BASE 1/8 208-240V 60Hz F1.3 UL | E.V. NC 3VIE BASETTA SCAR. 1/8208-240V 60HZ RUBY F1.3 | |
| 04900991 | GROUP TEMPERATURE PROBE PT1000 AURELIAII TFT | SONDA TEMPERATURA PT1000 GR. | |
| R04900991 | KIT-GROUP TEMPERATURE PROBE PT1000 - 1Pcs | KIT-SONDA TEMPERATURA PT1000 - 1Pz | |
| 05000842.NO | FILTER HOLDER KNOB LOCK 2003 PAINTED MATT BLACK | CHIUSURA MANOPOLA PORTAFILTRO 2003 VERN. NERO O | |
| 06200008 | 2WAY OPEN NOZZLE | BECCO DUE VIE OPEN | |
| R06200008 | KIT-2WAY OPEN NOZZLE - 1Pcs | KIT-BECCO DUE VIE OPEN - 1Pz | |
| 06200081 | GROUP RING OR CHROME OT-58 | ANELLO GRUPPO +SEDE OR CROMATO OT-58 | |
| R06200081 | KIT-GROUP RING OR CHROME - 1Pcs | KIT-ANELLO GRUPPO +SEDE OR CROMATO - 1Pz | |
| 07300092 | 1WAY CURVED OPEN NOZZLE | BECCO UNA VIA CURVO OPEN | |
| R07300092 | KIT-1WAY CURVED OPEN NOZZLE - 2Pcs | KIT-BECCO UNA VIA CURVO OPEN - 2Pz | |
| 07300128 | PLUG 1/4 GAS ADD.31.01.89 OT-57 | TAPPO 1/4 GAS OT-57 | |
| 07300166 | FLANGE BLOCK LOCK SOLENOID HOLDER ADD.07.07.03 | FLANGIA CHIUSURA BLOCCHETTO PORTA ELETTROV. | |
| 07300183.N | GROUP DIFFUSER h=3 OT-57 + NANOTECH | PADIGLIONE GRUPPO H=3 OT-57 + NANOTECH | |
| R07300183.N | KIT-GROUP DIFFUSER h=3 + NANOTECH - 1Pcs | KIT-PADIGLIONE GRUPPO H=3 + NANOTECH - 1Pz | |
| 07300362 | STRAIGHT FITTING 1/4 M-FITTINGS.6 340 | RACCORDO DIR. 1/4 M-CALZ.6 340 | |
| 07300601 | S/S PORTAFILTER KNOB INSERT | INSERTO MANOPOLA PORTAFILTRO 2003 INOX (AIS1303) | |



COMPONENTI GRUPPO EROGAZIONE

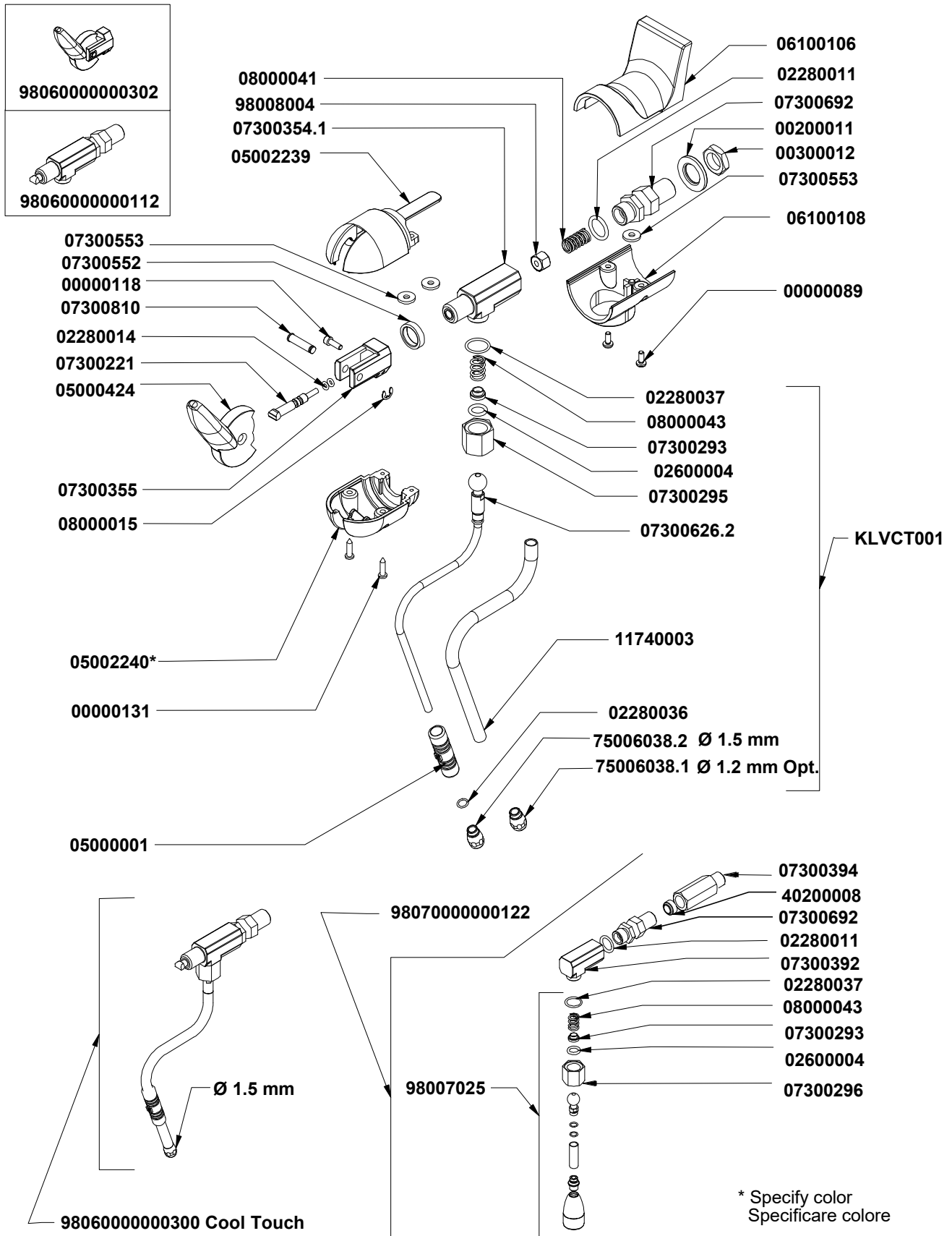
POURING UNIT GROUP PARTS

| COD. | DESCRIPTION | DESCRIZIONE | VAL. |
|--------------------|--|--|------|
| 07300613 | PRE INFUSION CHAMBER INSERT GROUP AURELIA OT-57 | INSERTO CAMERA PRE-INFUSIONE GR. | |
| R07300613 | KIT-PRE INFUSION CHAMBER INSERT GROUP - 3Pcs | KIT-INSERTO CAMERA PRE-INFUSIONE GR. - 3Pz | |
| 07300647 | S/S WASHER PORTAFILTER KNOB DIFFUSER | RONDELLA INOX ROMPIGOCCIA MANOPOLA PORTAFILTRO | |
| 07300649 | RING + GRUB FOR ADJUSTABLE PORTAFILTER NOZZLE | ANELLO+GRANO PER PORTAFILTRO BECCO ORIENTABILE | |
| 08000017 | S/S FILTER LOCKING SPRING | MOLLA BLOCCA FILTRO ACC.INOX | |
| R08000017 | KIT-S/S FILTER LOCKING SPRING - 15Pcs | KIT-MOLLA BLOCCA FILTRO ACC.INOX - 15Pz | |
| 08000034 | HOSE CLAMP D12 | FASCETTA STRINGITUBO D12 | |
| 08000093 | FASTENING SPRING FOR INSULATION - DISPENSING GR | MOLLA FISSAGGIO ISOLANTE GR. EROGAZ. | |
| 09500002 | AUTOMATIC THERMOSTAT 125°C WHITE DRIPPING | TERMOSTATO RIARMO AUTO. 125°C | |
| 09500004 | MANUAL THERMOSTAT 135°C GREEN DRIPPING | TERMOSTATO R.MAN. 135C GOCCIOLATURA VERDE | |
| R09500004 | KIT-MANUAL THERMOSTAT 135°C GREEN DRIPPING - 2Pcs | KIT-TERMOSTATO R.MAN. 135C GOCCIOLATURA VERDE- 2Pz | |
| 11600004 | SILICONE PIPE 5x9 60Sh PEROX | TUBO SILICONE 5X9 60SH PEROX BIANCO (1MT=50GR) | |
| 14100066 | CARTRIDGE HEAT. ELEMENT D10x115 300W 230V | RESISTENZA A CARTUCCIA D10X115 300W 230V | |
| R14100066 | KIT-CARTRIDGE HEAT. ELEMENT D10x115 300W 230V - 1P | KIT-RESISTENZA A CARTUCCIA D10x115 300W 230V- 1Pz | |
| 40200004 | GASKET CONICAL UNDERCOVER 82/84 ShA | GUARNIZ. SOTTOCOPPA CONICA 82/84 SHA | |
| R40200004 | KIT-GASKET CONICAL UNDERCOVER 82/84 ShA - 15Pcs | KIT-GUARNIZ. SOTTOCOPPA CONICA 82/84 ShA - 15Pz | |
| 98005024.PN | TEFLON P.FILTER BODY W/N.TECH RING+ LEATHER HANDLE | CORPO PORTAFILTRO CON ANELLO NANOTECH + MANOPOLA | |
| 98011002 | ANODISED COFFEE TAMPER BRILLIANT WHITE VA 2009 | PRESSA CAFFE' ANOD.ARGENTO | |
| 980400000000470001 | DISPENS. GROUP SET VA388 TFT T3 WBC - TEFLON TUBE | ASS. GR. EROG. VA388 TFT T3 "WBC" TUBI TEFLON | |
| 980400000000470002 | DISPENS. GROUP SET VA388 TFT T3 WBC - TEFLON TUBE | ASS. GR. EROG. VA388 TFT T3 "WBC" TUBI TEFLON | |
| 980400000000470003 | DISPENS. GROUP SET VA388 TFT T3 WBC - TEFLON TUBE | ASS. GR. EROG. VA388 TFT T3 "WBC" TUBI TEFLON | |
| 98050028 | BLACK LEATHER PORTAFILTER HANDLE | MANOPOLA PORTAFILTRO IN PELLE NERA | |
| KPFPN001 | COMP NANOTECH PORTAFILTER 1WAY BLK LEATHER | PORTAFILTRO NANOTECH COMP. 1 VIA MANOPOLA PELLE | |
| KPFPN002 | COMP NANOTECH PORTAFILTER 2WAY BLK LEATHER | PORTAFILTRO NANOTECH COMP. 2 VIE MANOPOLA PELLE | |



COMPONENTI VAPORE E ACQUA CALDA

STEAM AND HOT WATER PARTS





COMPONENTI VAPORE E ACQUA CALDA

STEAM AND HOT WATER PARTS

| COD. | DESCRIPTION | DESCRIZIONE | VAL. |
|---------------|---|--|------|
| 00000089 | S/S CROSSHEAD CAP SCREW M4x12 DIN7985 | VITE INOX M4X12 TC TCR DIN7985 | |
| 00000118 | S/SHEX SOCKET CAP SCREW M4x12 5931 | VITE INOX M4X12 TCEI 5931 | |
| 00000131 | SS SELF-TAPPING CROSS HEAD CAP SCREW 3.9x16 | VITE AUTOF INOX 3,9X16 TC /TCR | |
| 00200011 | GALV WASHER M16 17x30x3 | RONDELLA AQ M16 17X30X3 ZINC | |
| 00300012 | BRASS NUT 3/8 GAS D6 CH22 ADD 22.07.96 | DADO OT 3/8 GAS CH22 SPESS.6 AGG. 22.07.96 | |
| 02280011 | GASKET O RING R11 D19 EP 851 | GUARN. OR R11 D19 EP 851 | |
| R02280011 | KIT-GASKET O RING R11 D19 EP - 25Pcs | KIT-GUARN. OR R11 D19 EP - 25Pz | |
| 02280014 | GASKET GASKET O RING D.7 AN2/OR102 SILICON | GUARN. OR D7 AN2/OR102 SILICON7XL1715 | |
| R02280014 | KIT-GASKET GASKET O RING D.7 AN2/OR102 SILICON - 30 | KIT-GUARN. OR D7 SILICON 7XL1715 - 30Pz | |
| 02280036 | O RING FOR STEAM WAND NOZZLE D6x1.2 EPDM70 500 P | GUARN. OR BECCO LANCIA VAP. DI 6X1.2 EPDM70 | |
| R02280036 | KIT-O RING FOR STEAM WAND NOZZLE D6x1.2 EPDM - 65P | KIT-GUARN. OR x BECCO LANCIA VAP. D. 6x1.2 EPDM- 65Pz | |
| 02280037 | GASKET O RING JOINT LOCK 16x2 NBR70 | GUARN. OR CHIUSURA SNODO 16X2 NBR70 | |
| R02280037 | KIT-GASKET O RING JOINT LOCK 16x2 NBR - 45Pcs | KIT-GUARN. OR CHIUSURA SNODO 16x2 NBR - 45Pz | |
| 02600004 | O RING 15,2x10,2x2,5 TEFLON x STEAM WAND SPHERE | GUARN. OR 15,2X10,2X2,5 TEFLONX SFERA LANCIA VAPOR | |
| R02600004 | KIT-O RING 15,2x10,2x2,5 TEFLON x STEAM - 55Pcs | KIT-GUARN. OR 15,2x10,2x2,5 TEFLONx SFERA LANCIA- 55Pz | |
| 05000001 | RUBBER PROTECTION FOR STEAMWAND D10 | GOMMINO PROTEZIONE LANCIA D.10 | |
| R05000001 | KIT-RUBBER PROTECTION FOR STEAMWAND D10 - 10Pcs | KIT-GOMMINO PROTEZIONE LANCIA D.10 - 10Pz | |
| 05000424 | STEAM TAP HANDLE VA388 | MANOPOLA VAPORE VA388 | |
| R05000424 | KIT-STEAM TAP HANDLE - 3Pcs | KIT-MANOPOLA VAPORE - 3Pz | |
| 05002239 | SUPERIOR FRONT TAP COVER CHROME LEVA ADONIS | COPRI RUBINETTO SUP. ANTERIORE CROMATO APERTUR | |
| R05002239 | KIT-SUPERIOR FRONT TAP COVER CHROME - 2Pcs | KIT-COPRI RUBINETTO SUP. ANTERIORE CROMATO AP.- 2Pz | |
| 05002240.TNOV | FRONT INFERIOR TAP COVER MATT BLACK | COPRI RUBINETTO INF. ANTERIORETOT.NERO OPACO VEF | |
| 05002240.TSPV | FRONT INFERIOR TAP COVER PAINTED SPECIAL COLOR | COPRI RUBINETTO INF. ANTERIORETOT.COLORE SPECIAL | |
| R05002240 | KIT-FRONT INFERIOR TAP COVER CHROME LEVER OPEN | KIT-COPRI RUBINETTO INF. ANTERIORE CROMATO AP.- 2Pz | |
| 06100106 | SUPERIOR STEAM TAP COVER VA388 CHROME | COPRI RUBINETTO SUP. VAPORE CROMATO VA388 | |
| 06100108 | INFERIOR STEAM TAP COVER VA388 CHROME | COPRI RUBINETTO INF. VAPORE CROMATO VA388 | |
| 07300221 | S/S STEAMTAP ROD | ASTA INOX RUBINETTO VAPORE | |
| R07300221 | KIT-S/S STEAMTAP ROD - 3Pcs | KIT-ASTA INOX RUBINETTO VAPORE - 3Pz | |
| 07300293 | ARTICULATED BUSHING AG.25.06.96 OT-57 | BUSSOLA SNODO AG.25.06.96 OT-57 | |
| R07300293 | KIT-ARTICULATED BUSHING - 15Pcs | KIT-BUSSOLA SNODO - 15Pz | |
| 07300295 | NUT FITTING 3/8 H=21 BRASS-NICKEL ARTICULATED WAN | DADO RACC. 3/8 H=21 LANCIA SNODATA | |
| R07300295 | KIT-NUT FITTING 3/8 H=21 BRASS-NICKEL ARTICULATED - | KIT-DADO RACC. 3/8 H=21 LANCIA SNODATA - 6Pz | |
| 07300296 | NUT FITTING 3/8 H=21 S/S ARTICULATED WAND | DADO RACC. 3/8 H=21 LANCIA SNODATA INOX | |
| 07300354.1 | STEAM TAP BODY FOR ARTICULATED BRASS WAND OT-5 | CORPO RUB. VAPORE X LANC. SNODO OT-57 | |
| 07300355 | TAP FORK 99 BRASS OT-58 | FORCELLA RUBINETTO 99 OTTONE OT-58 | |
| R07300355 | KIT-TAP FORK 99 BRASS - 3Pcs | KIT-FORCELLA RUBINETTO - 3Pz | |
| 07300392 | HOT WATER TAP CONNECTION VA388 OT-57 | ATTACCO RUB. ACQUA CALDA VA388 OT-57 | |
| 07300394 | HOT WATER TAP EXTENTION VA 388 OT-57 | PROLUNGA RUBINETTO ACQUA CALDA VA388 OT-57 | |
| 07300552 | BIG WASHER PTFE TAP LEVER OPENING ADONIS | RONDELLA GRANDE PTFE RUBINETTO APERTURA A LEVA | |
| 07300553 | SMALL WASHER PTFE TAP LEVER OPENING ADONIS | RONDELLA PICCOLA PTFE RUB. APERTURA A LEVA ADONI | |
| 07300626.2 | STAINLESS STEEL BALL HOLE 4MM FOR COLL WAND | SFERA INOX FORO 4MM X LANCIA VAPORE FREDDA | |
| 07300692 | SPRING HOLDER PLUG STEAM WAND ADONIS OT-57 | TAPPO PORTAMOLLA RUB.VAP. ADONIS OT-57 | |
| R07300692 | KIT-SPRING HOLDER PLUG STEAM WAND - 4Pcs | KIT-TAPPO PORTAMOLLA RUB.VAP. - 4Pz | |
| 07300810 | STEAM TAP PIN AURELIA IIOT-58 | SPINOTTO RUB.VAPORE AURELIA IIOT-58 | |
| R07300810 | KIT-STEAM TAP PIN - 25Pcs | KIT-SPINOTTO RUB.VAPORE - 25Pz | |
| 08000015 | S/S SEEGER RING TYPE RS 5 UNI7434 | ANELLO SEEGER TIPO RS 5 INOX UNI7434 | |
| 08000041 | STEAM TAP SPRING 7 ST 11,5X8,5X22 | MOLLA 7 ST 11,5X8,5X22 RUB.VAPORE | |



COMPONENTI VAPORE E ACQUA CALDA

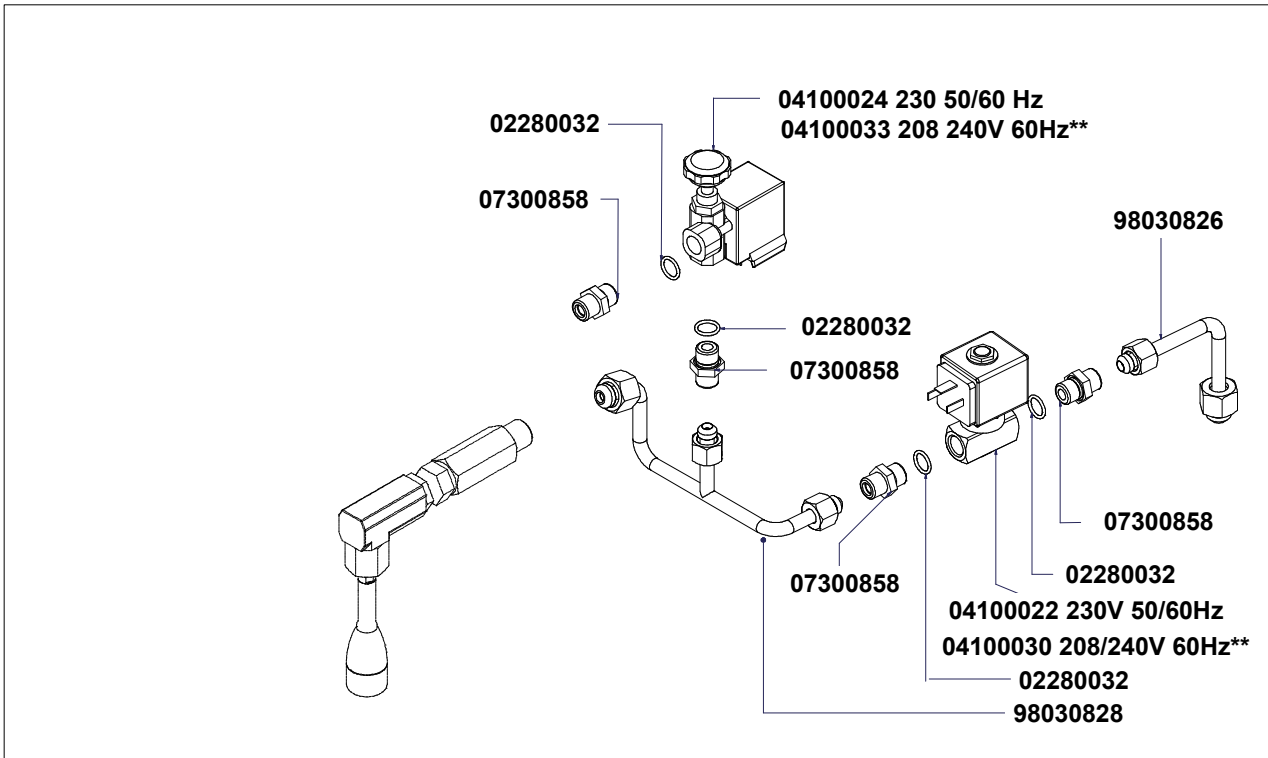
STEAM AND HOT WATER PARTS

| COD. | DESCRIPTION | DESCRIZIONE | VAL. |
|-----------------|---|--|------|
| 08000043 | SPRING FOR ARTICULATED WAND D.1.6 D.11.9x16.2 | MOLLA PER LANCIA SNODATA FILO D.1.6 D.11.9X16.2 4 SPI | |
| R08000043 | KIT-SPRING FOR ARTICULATED WAND D.1.6 D.11.9x16.2 - | KIT-MOLLA PER LANCIA SNODATA FILO D.1.6 D.11.9x16.- 15 | |
| 11740003 | CALIBRATED TEFLON PIPE 6/4 | TUBO TEFLON 6/4 CALIBRATO | |
| 40200008 | LEVEL GLASS SEAL 10 MM | GUARNIZIONE VETRO LIVELLO | |
| 75006038.1 | STEAM NOOZLE M8,65X0,75 F1,2 ESAG.1,2 | BECCO VAPORE M8,65X0,75 F. 1,2 ESAG.12 | |
| R75006038.1 | KIT-STEAM NOOZLE M8,65X0,75 F1,2 - 1Pcs | BECCO VAPORE M8,65X0,75 F. 1,2 - 1Pz | |
| 75006038.2 | STEAM NOZZLE M8,65x0,75 F. 1,5 ESAG.12 | BECCO VAPORE M8,65X0,75 F. 1,5 ESAG.12 | |
| R75006038.2 | KIT-STEAM NOZZLE M8,65x0,75 F. 1,5 - 1Pcs | KIT-BECCO VAPORE M8,65x0,75 F. 1,5 - 1Pz | |
| 98007025 | S/S HOTWATER WAND KIT VA388 W/ DIFFUSER | KIT LANCIA ACQUA C. INOX VA388 COMPLETA DI ROMPIGE | |
| 98008004 | COMPLETE STEAM VALVE PISTON | PISTONCINO CHIUSURA COMPLETO | |
| R98008004 | KIT-COMPLETE STEAM VALVE PISTON - 5Pcs | KIT-PISTONCINO CHIUSURA COMPLETO - 5Pz | |
| 98060000000112 | STEAM TAP SET WITHOUT WAND VA338-VA358 | ASS. RUBINETTO VAPORE SENZA LANCIA VA388 - VA358 | |
| 98060000000300 | STEAM TAP + COOLTOUCH STEAMWAND SET VA388-VA3 | ASS. RUBINETTO VAPORE + LANCIA VAPORE FREDDA VA3 | |
| 98060000000302 | STEAM TAP LEVER SET VA388-VA358 | ASSIEME LEVA PER RUBINETTO VAPORE VA388 - VA358 | |
| R98060000000302 | KIT-STEAM TAP LEVER SET - 1Pcs | KIT-ASSIEME LEVA PER RUBINETTO VAPORE - 1Pz | |
| 98070000000122 | HOT WATER WAND + CONNECTOR SET VA388 | ASSIEME ATTACCO + LANCIA ACQUA CALDA | |
| KLVCT001 | KIT COOLTOUCH STEAM WAND | KIT LANCIA VAPORE "COOL TOUCH" | |

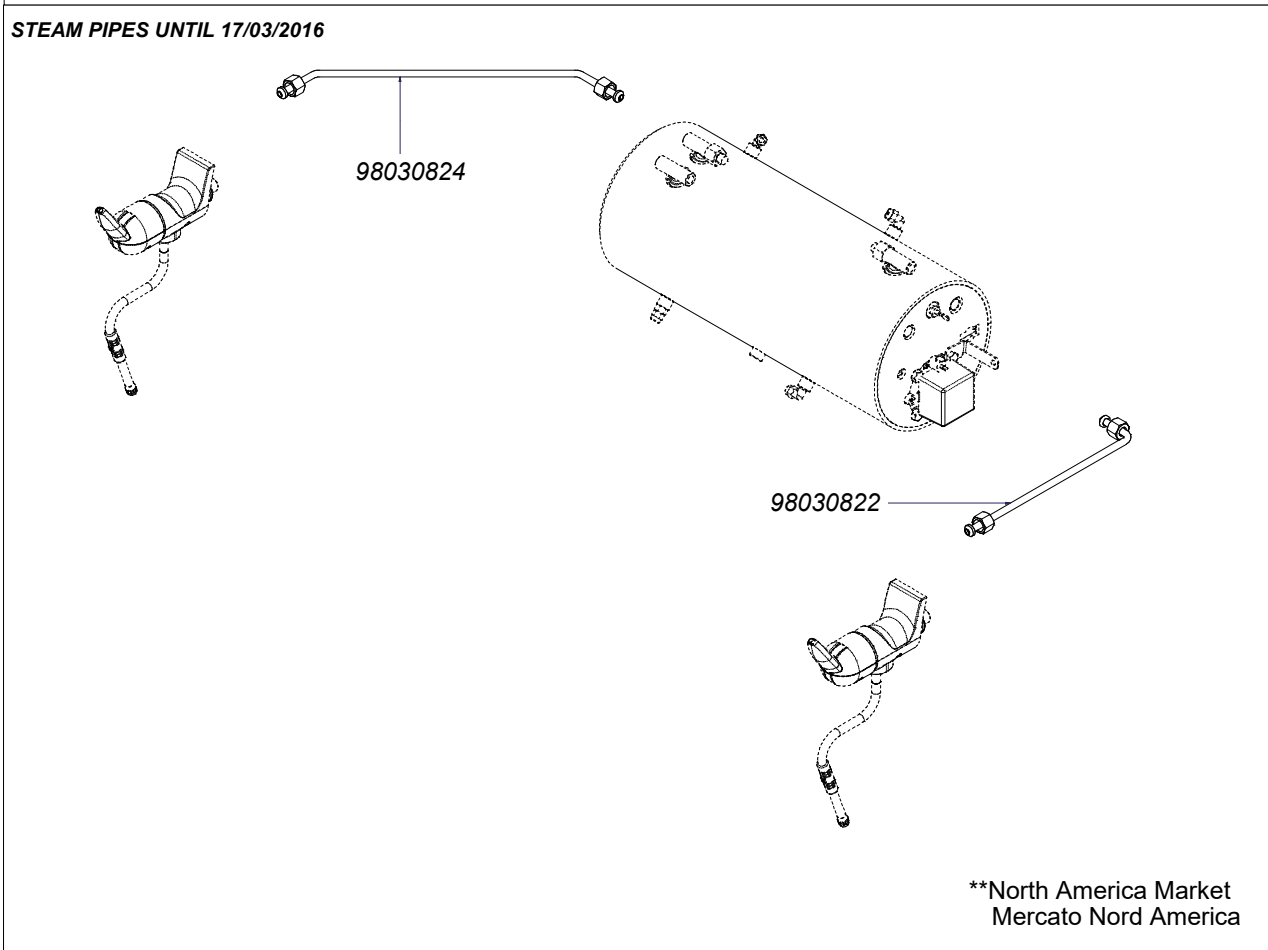


COMPONENTI MISCELATORE E TUBI VAPORE

MIXER PARTS AND STEAM PIPES



STEAM PIPES UNTIL 17/03/2016





COMPONENTI MISCELATORE E TUBI VAPORE

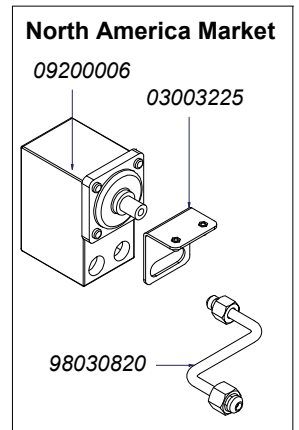
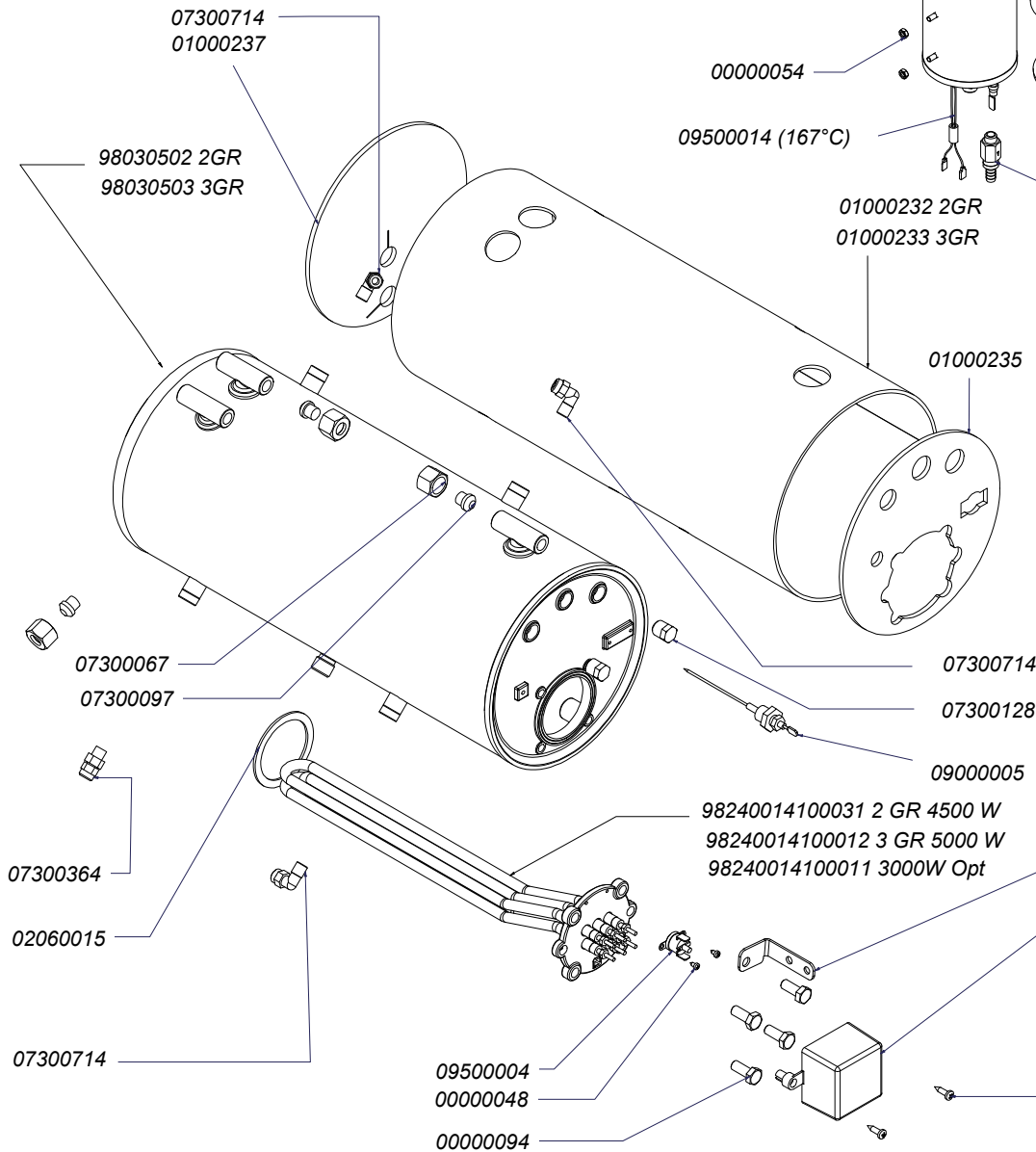
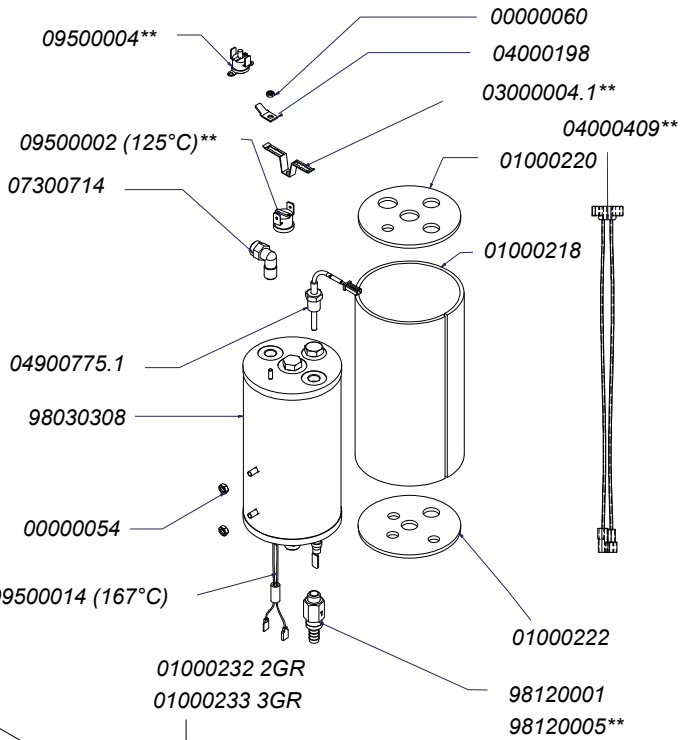
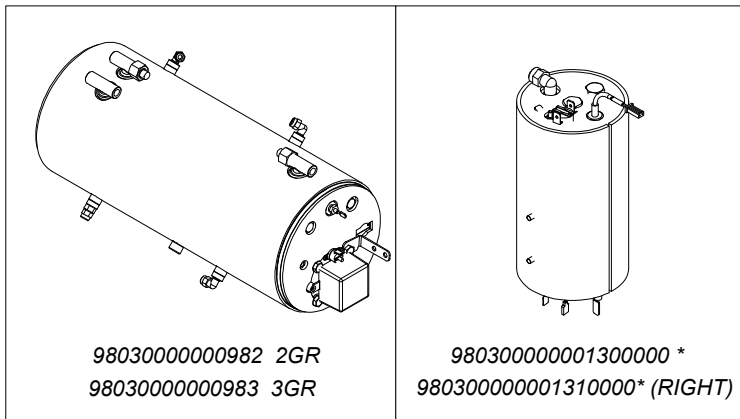
MIXER PARTS AND STEAM PIPES

| COD. | DESCRIPTION | DESCRIZIONE | VAL. |
|-----------|---|--|------|
| 02280032 | GASKET O RING 114 D15 EP 851 | GUARN. OR 114 D.15 EP 851 | |
| R02280032 | KIT-GASKET O RING 114 D15 EP - 25Pcs | KIT-GUARN. OR 114 D.15 EP - 25Pz | |
| 04100022 | 2WAY SOLENOID 1/4-1/4 220-230V50/60Hz F3 CE TH1xM4 | E.V. NC 2VIE 1/4-1/4 220-230V 50/60HZ RUBINO F3 CE PIEDI | |
| R04100022 | KIT-2WAY SOLENOID 1/4-1/4 220-230V50/60Hz F3 CE - 1Pc | KIT-E.V. NC 2VIE 1/4-1/4 220-230V 50/60Hz RUBINO- 1Pz | |
| 04100024 | 2WAY SOLENOID 1/4 REGUL 90° 230V50/60Hz F3 CE | E.V. NC 2VIE 1/4 REGOLAT. 90° 230V 50/60HZ F.3 CE | |
| R04100024 | KIT-2WAY SOLENOID 1/4 REGUL 90° 230V50/60Hz F3 CE - | KIT-E.V. NC 2VIE 1/4 REGOLAT. 90° 230V 50/60Hz F.3- 1Pz | |
| 04100030 | 2WAY SOLENOID 1/4-1/4 208-240V 60Hz F3 UL TH1xM4 | E.V. NC 2VIE 1/4-1/4 208-240V 60HZ RUBY F3 UL PIEDINO FI | |
| 04100033 | 2WAY SOLENOID 1/4 REGUL 90° 230/240V 50/60Hz | E.V. NC 2VIE 1/4 REGOLAT. 90° 230/240V 50/60HZ F3 UL CAN | |
| 07300858 | FITTING 1/4M-1/4M OT-57 USA | RACCORDO 1/4M-1/4M OT-57 USA | |
| R07300858 | KIT-FITTING 1/4M-1/4M - 15Pcs | KIT-RACCORDO 1/4M-1/4M - 15Pz | |
| 98030822 | RIGHT STEAM WAND PIPE VA388 ONLY FOR BOILER | TUBO LANCIA VAPORE DX VA388 SOLO PER CALDAIA CON | |
| 98030824 | LEFT STEAM WAND PIPE VA388 ONLY FOR BOILER | TUBO LANCIA VAPORE SX VA388 SOLO PER CALDAIA CON | |
| 98030826 | BOILER-H.WATER VLVE TUBE VA388 CURVE FLANGE BOI | TUBO CALDAIA-E.V. ACQUA CALDA VA388 CALDAIA DOPPIA | |
| 98030828 | MIXER-HOTWATER WAND TUBE VA388 CURV FLANGE BC | TUBO E.V. MISCELATORE - LANCIA ACQUA CALDA VA388 C | |



GRUPPO CALDAIE T3 (FINO AL 17-03-2016)

T3 BOILER GROUP (UNTIL 17-03-2016)



*Specify version
Specificare versione
**North America Market
Mercato Nord America



GRUPPO CALDAIE T3 (FINO AL 17-03-2016)

T3 BOILER GROUP (UNTIL 17-03-2016)

| COD. | DESCRIPTION | DESCRIZIONE | VAL. |
|--------------------|--|--|------|
| 00000048 | SELF-TAPPING SCREW 2.9x4.5 TC/T.CR. | VITE AUTOF 2,9X4,5 TC/T.CR. | |
| 00000054 | GALV HIGH NUT M4 | DADO AQ M4 ALTO ZINCATO | |
| 00000060 | GALV MEDIUM NUT AQ M3 | DADO AQ M3 MEDIO ZINCATO | |
| 00000094 | S/S HEX CAP SCREW M8x20 5739 | VITE INOX M8X20 TE 5739 | |
| 00000213 | GALV SELF-TAPPING SCREW 4,2x16 TC T.CR. | VITE AUTOF 4,2X16 TC T.CR. ZIN | |
| 01000218 | BOILER INSULATION D80 115x252,7 | ISOLANTE CALDAIA D80 155X252,7 | |
| R01000218 | KIT-BOILER INSULATION D80 115x252,7 - 3Pcs | KIT-ISOLANTE CALDAIA D80 155x252,7 - 3Pz | |
| 01000220 | BOILER INSULATION SUPERIOR D80 | ISOLANTE SUPER. D.80 CALDAIA | |
| R01000220 | KIT-BOILER INSULATION SUPERIOR D80 - 8Pcs | KIT-ISOLANTE SUPER. D.80 CALDAIA - 8Pz | |
| 01000222 | BOILER INSULATION INFERIOR D80 | ISOLANTE INFER. D.80 CALDAIA | |
| 01000232 | BOILER INSULATION 2GR AURELIA II T3 | ISOLANTE CALDAIA 2GR AURELIAII T3 ZOTECH | |
| 01000233 | BOILER INSULATION 3GR AURELIA II T3 | ISOLANTE CALDAIA 3GR AURELIAII T3 ZOTECH | |
| 01000235 | RIGHT BOILER INSULATION AURELIA II T3 | ISOLANTE D.180 DX CALDAIA AURELIA II T3 ZOTECH | |
| 01000237 | LEFT BOILER INSULATION AURELIA II T3 | ISOLANTE D.180 SX CALDAIA AURELIA II T3 ZOTECH | |
| 02060015 | GASKET FOR HEATING ELEMENT 067x054x2 | GUARNIZIONE PTFE 067X054X2 | |
| R02060015 | KIT-GASKET FOR HEATING ELEMENT 067x054x2 - 8Pcs | KIT-GUARNIZIONE PTFE 067x054x2 - 8Pz | |
| 03000004.1 | DOUBLE BRACKET FOR THERMOSTAT | STAFFA DOPPIA X TERMOSTATO | |
| 04900775.1 | TEMPERATURE PROBE 150°NTC ATT.1/8 SS 4X20 | SONDA TEMPERATURA 150 ATT.1/8 INOX 4X20 AMP | |
| 03003225 | SAFETY PRESSOSTAT SUPPORT VA388 | LAMIERA SUPP. PRESSOSTATO MECCANICO VA388 | |
| 03003230 | MAIN BOILER BRACKET VA388 | STAFFA FISSAGGIO CALDAIA VA388 | |
| 04000198 | FOIL HOLDER M 6.3 D 4.2 45° | PRESA LAMELLARE M 6.3 d4.2 45° | |
| 04000409 | SAFETY THRMST MAIN BOILER WIRING AURELIA II T3CSA | CABLAGGIO TERMOSTATO CALDAIA CAFFE' AURELIA II T3 | |
| 05000047 | SQAURE RESISTANCE COVER V0 | COPRI RESISTENZA QUADRATA V0 | |
| R05000047 | KIT-SQUARE RESISTANCE COVER V0 - 6Pcs | KIT-COPRI RESISTENZA QUADRATA - 6Pz | |
| 07300067 | NUT FITTING 3/8 GAS D11 ADD. 15.11.84 OT-58 | DADO RACCORDO 3/8 GAS D11 AGG. 15.11.84 OT-58 | |
| 07300097 | CLOSED TERMINAL D14 OT-57 | TERMINALE CHIUSO D 14 OT-57 | |
| 07300128 | PLUG 1/4 GAS ADD.31.01.89 OT-57 | TAPPO 1/4 GAS OT-57 | |
| 07300364 | STRAIGHT FITTING 1/8 M CON. - FITTING.6 340 | RACCORDO DIR. 1/8 M CON. - CALZAM.6 340 | |
| R07300364 | KIT-STRAIGHT FITTING 1/8 M CON. - FITTING.6 340 - 8Pcs | KIT-RACCORDO DIR. 1/8 M CON. - CALZAM.6 - 8Pz | |
| 07300714 | L FITTING 1/8 M - FITTINGS.6 | RACCORDO L 1/8 M - CALZAM.6 | |
| R07300714 | KIT-L FITTING 1/8 M - FITTINGS.6 - 6Pcs | KIT-RACCORDO L 1/8 M - CALZAM.6 - 6Pz | |
| 09000005 | COMPLETE AUTOLEVEL PROBE L=130 | SONDA AUTOLIVELLO COMP. L=130 | |
| R09000005 | KIT-COMPLETE AUTOLEVEL PROBE L=130 - 1Pcs | KIT-SONDA AUTOLIVELLO COMP. L=130 - 1Pz | |
| 09200006 | MACHINE PRESSO GAUGE CE/UL TRIF. 30A 400V | PRESSOSTATO CE/UL TRIF. 30A 400V 0,5-1,4BAR | |
| R09200006 | KIT-MACHINE PRESSO GAUGE CE/UL TRIF. 30A 400V - 1Pc | KIT-PRESSOSTATO MACCHINA CE/UL TRIF. 30A 400V- 1Pz | |
| 09500002 | AUTOMATIC THERMOSTAT 125°C WHITE DRIPPING | TERMOSTATO RIARMO AUTO. 125°C | |
| 09500004 | MANUAL THERMOSTAT 135°C GREEN DRIPPING | TERMOSTATO R.MAN. 135C GOCCIOLATURA VERDE | |
| R09500004 | KIT-MANUAL THERMOSTAT 135°C GREEN DRIPPING - 2Pc | KIT-TERMOSTATO R.MAN. 135C GOCCIOLATURA VERDE- 2 | |
| 09500014 | HEATING ELEMENT THERMAL PROTECTION G5 167°C 16A | TERMOPRO. RESISTENZA G5 167°C 16A 250V UL | |
| R09500014 | KIT-HEATING ELEMENT THERMAL PROTECTION - 2Pcs | KIT-TERMOPROTETTORE x RESISTENZA G5 167°C 16A 250V | |
| 980300000001300001 | COFFEE BOILER SET CE | ASS. CALDAIA CAFFE' CE | |
| 980300000001300002 | COFFEE BOILER SET CSA | ASS. CALDAIA CAFFE' CSA | |
| 980300000001300003 | COFFEE BOILER SET KC | ASS. CALDAIA CAFFE' KC | |
| 980300000001310001 | COFFEE BOILER SET ADONIS T3 RIGHT GR. CE | ASS. CALDAIA CAFFE' ADONIS T3 GR. A DX | |
| 980300000001310002 | COFFEE BOILER SET ADONIS T3 RIGHT GR. CSA | ASS. CALDAIA CAFFE' ADONIS T3 GR. A DX | |
| 980300000000982 | BOILER SET VA388 2GR | ASSIEME CALDAIA VA388 2GR. | |
| 980300000000983 | BOILER SET VA388 3GR | ASSIEME CALDAIA VA388 3GR. | |



GRUPPO CALDAIE T3 (FINO AL 17-03-2016)

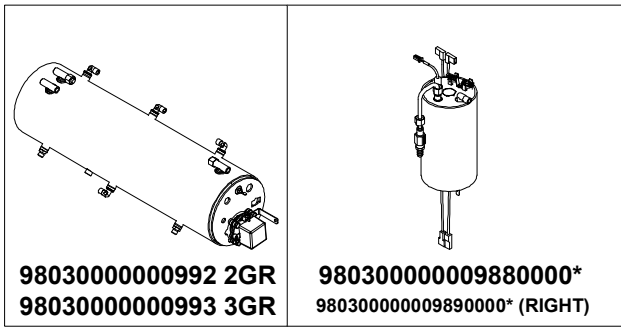
T3 BOILER GROUP (UNTIL 17-03-2016)

| COD. | DESCRIPTION | DESCRIZIONE | VAL. |
|-----------------|---|--|------|
| 98030308 | S/S WELDED BOILER Aisi316 D77 L145 230V 1000W | CALDAIA SALD. ACCIAIO AISI316 D.77 L=145 230V 1000W *K | |
| 98030502 | WELDED BOILER 2 GR D180 Lt11 AURELIA II T3 TESTED | CALDAIA SALDATA 2GR D.180 LT11 AURELIA II T3 COLLAUD | |
| 98030503 | WELDED BOILER 2 GR D180 Lt11 AURELIA II T3 TESTED | CALDAIA SALDATA 3GR D.180 LT17 AURELIA II T3 COLLAUD | |
| 98030820 | BOILER PIPE - PRESSURE GAUGE VA388 ONLY CSA | TUBO CALDAIA - PRESSOSTATO VA388 SOLO CSA | |
| 98120001 | NEPLAX VITON 16,5 BAR VALVE 1/8 HOSE CLAMP | VALVOLA NEPLAX VITON 16,5 BAR 1/8 - PORTAGOMMA | |
| R98120001 | KIT-NEPLAX VITON 16,5 BAR VALVE 1/8 HOSE CLAMP - 2P | KIT-VALVOLA NEPLAX VITON 16,5 BAR 1/8 - PORTAGOMMA | |
| 98120005 | NEPLAX VITON 12 BAR VALVE 1/8 HOSE CLAMP | VALVOLA NEPLAX VITON 12BAR 1/8 - PORTAGOMMA | |
| R98120005 | KIT-NEPLAX VITON 12 BAR VALVE 1/8 HOSE CLAMP - 1Pcs | KIT-VALVOLA NEPLAX VITON 12BAR 1/8 - PORTAGOMMA- 1 | |
| 98240014100011 | HEATING ELEMENT W/ NUTS 3000W | RESISTENZA COMPLETA DI DADI 3000W | |
| 98240014100012 | HEATING ELEMENT W/ NUTS 5000W | RESISTENZA COMPLETA DI DADI 5000W | |
| R98240014100012 | KIT-HEATING ELEMENT W/ NUTS 5000W - 1Pcs | KIT-RESISTENZA COMPLETA DI DADI 5000W - 1Pz | |
| 98240014100031 | HEATING ELEMENT W/ NUTS 4500W | RESISTENZA COMPLETA DI DADI 4500W | |
| R98240014100031 | KIT-HEATING ELEMENT W/ NUTS 4500W - 1Pcs | KIT-RESISTENZA COMPLETA DI DADI 4500W - 1Pz | |



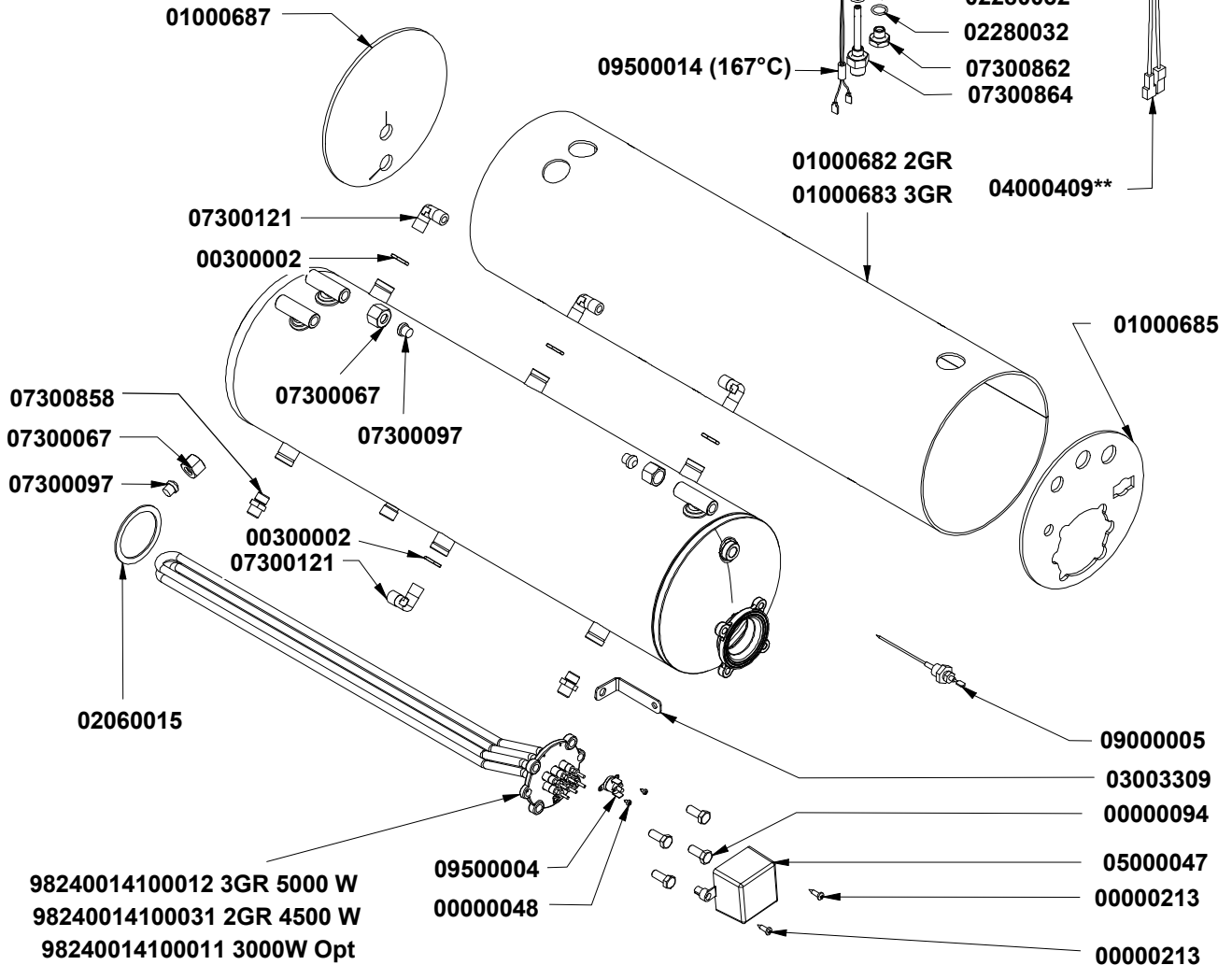
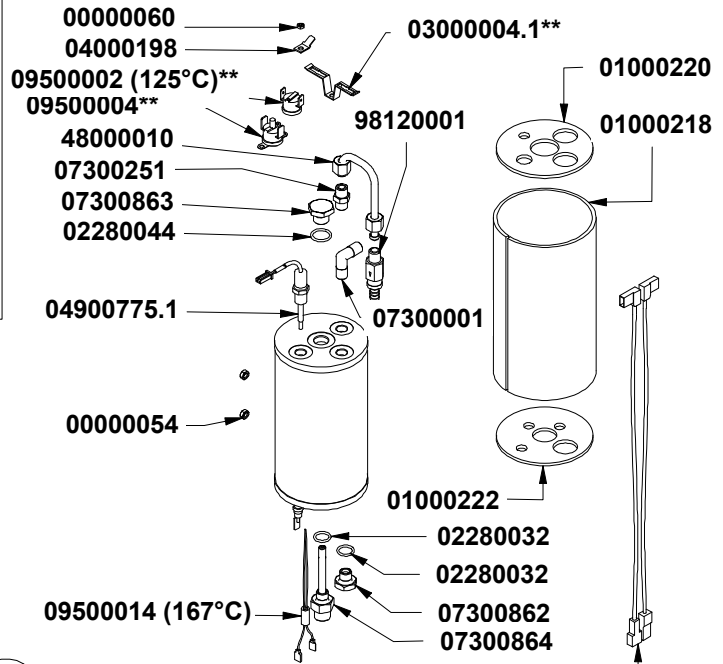
GRUPPO CALDAIE T3 (DAL 18-03-2016)

T3 BOILER GROUP (FROM 18-03-2016)



9803000000992 2GR
9803000000993 3GR

9803000000988000*
9803000000989000* (RIGHT)



98240014100012 3GR 5000 W
98240014100031 2GR 4500 W
98240014100011 3000W Opt

*Specify version
Specificare versione
**North America Market
Mercato Nord America



GRUPPO CALDAIE T3 (DAL 18-03-2016)

T3 BOILER GROUP (FROM 18-03-2016)

| COD. | DESCRIPTION | DESCRIZIONE | VAL. |
|-------------|--|---|------|
| 00000048 | SELF-TAPPING SCREW 2.9x4.5 TC/T.CR. | VITE AUTOF 2,9X4,5 TC/T.CR. | |
| 00000054 | GALV HIGH NUT M4 | DADO AQ M4 ALTO ZINCATO | |
| 00000060 | GALV MEDIUM NUT AQ M3 | DADO AQ M3 MEDIO ZINCATO | |
| 00000094 | S/S HEX CAP SCREW M8x20 5739 | VITE INOX M8X20 TE 5739 | |
| 00000213 | GALV SELF-TAPPING SCREW 4,2x16 TC T.CR. | VITE AUTOF 4,2X16 TC T.CR. ZIN | |
| 00300002 | BRASS NUT 1/4 D3 CH18 | DADO OT 1/4 SPESS.3 CH18 AGG. 22.07.96 | |
| R00300002 | KIT-BRASS NUT 1/4 D3 - 15Pcs | KIT-DADO OT 1/4 SPESS.3 - 15Pz | |
| 01000218 | BOILER INSULATION D80 115x252,7 | ISOLANTE CALDAIA D80 155X252,7 | |
| R01000218 | KIT-BOILER INSULATION D80 115x252,7 - 3Pcs | KIT-ISOLANTE CALDAIA D80 155x252,7 - 3Pz | |
| 01000220 | BOILER INSULATION SUPERIOR D80 | ISOLANTE SUPER. D.80 CALDAIA | |
| R01000220 | KIT-BOILER INSULATION SUPERIOR D80 - 8Pcs | KIT-ISOLANTE SUPER. D.80 CALDAIA - 8Pz | |
| 01000222 | BOILER INSULATION INFERIOR D80 | ISOLANTE INFER. D.80 CALDAIA | |
| 02060015 | GASKET FOR HEATING ELEMENT 067x054x2 | GUARNIZIONE PTFE 067X054X2 | |
| R02060015 | KIT-GASKET FOR HEATING ELEMENT 067x054x2 - 8Pcs | KIT-GUARNIZIONE PTFE 067x054x2 - 8Pz | |
| 02280032 | GASKET O RING 114 D15 EP 851 | GUARN. OR 114 D.15 EP 851 | |
| R02280032 | KIT-GASKET O RING 114 D15 EP - 25Pcs | KIT-GUARN. OR 114 D.15 EP - 25Pz | |
| 02280044 | GASKET O RING 14x1.78 EP851 | GUARN. OR 14X1,78 EP851 2056 MS15 | |
| 03000004.1 | DOUBLE BRACKET FOR THERMOSTAT | STAFFA DOPPIA X TERMOSTATO | |
| 01000682 | BOILER INSULATION 2GR T3 D.185 MELAMINE | ISOLANTE CALDAIA 2GR T3 D.185 MELAMMINA | |
| 01000683 | BOILER INSULATION 3GR T3 D.185 MELAMINE | ISOLANTE CALDAIA 3GR T3 D.185 MELAMMINA | |
| 01000685 | RIGHT BOILER INSULATION D.180 MELAMINE | ISOLANTE D.180 DX CALDAIA MACCHINE T3 MELAMMINA | |
| 01000687 | LEFT BOILER INSULATION D.180 MELAMINE | ISOLANTE D.180 SX CALDAIA MACCHINE T3 MELAMMINA | |
| 03003309 | FIXING BOILER BRACKET 3GR | STAFFA FISSAGGIO CALDAIA VA388 3GR. "TUBI RAME" | |
| 04000198 | FOIL HOLDER M 6.3 D 4.2 45° | PRESA LAMELLARE M 6.3 d4.2 45° | |
| 04000409 | SAFETY THRST MAIN BOILER WIRING AURELIA II T3CSA | CABLAGGIO TERMOSTATO CALDAIA CAFFE' AURELIA II T3 | |
| 04900775.1 | TEMPERATURE PROBE 150°NTC ATT. 1/8 SS 4X20 | SONDA TEMPERATURA 150 ATT.1/8 INOX 4X20 AMP | |
| R04900775.1 | KIT-TEMPERATURE PROBE 150°NTC ATT. 1/8 SS 4X20 - 1P | KIT-SONDA TEMPERATURA 150 ATT.1/8 INOX 4x20- 1Pz | |
| 05000047 | SQAURE RESISTANCE COVER V0 | COPRI RESISTENZA QUADRATA V0 | |
| R05000047 | KIT-SQUARE RESISTANCE COVER V0 - 6Pcs | KIT-COPRI RESISTENZA QUADRATA - 6Pz | |
| 07300001 | L FITTING 1/8 M-M 459 | RACCORDO L 1/8 M-M 459 | |
| 07300067 | NUT FITTING 3/8 GAS D11 ADD. 15.11.84 OT-58 | DADO RACCORDO 3/8 GAS D11 AGG. 15.11.84 OT-58 | |
| 07300097 | CLOSED TERMINAL D14 OT-57 | TERMINALE CHIUSO D 14 OT-57 | |
| 07300121 | FITTING L 1/4 M-M CYLIND ADD. 18.02.97 | RACCORDO L 1/4 M-M CILINDRICOAGG. 18.02.97 | |
| R07300121 | KIT-FITTING L 1/4 M-M CYLIND - 8Pcs | KIT-RACCORDO L 1/4 M-M CILINDRICO - 8Pz | |
| 07300251 | FITTING 1/8 M-M HOLE 5,5 + THREADED M6 x L=11 | RACCORDO 1/8 M-M FORO 5,5 + FILETT. M6 X L.=11 | |
| R07300251 | KIT-FITTING 1/8 M-M HOLE 5,5 + THREADED M6 x L=11 - 4P | KIT-RACCORDO 1/8 M-M FORO 5,5 + FILETT. M6 x L.=11- 4Pz | |
| 07300858 | FITTING 1/4M-1/4M OT-57 USA | RACCORDO 1/4M-1/4M OT-57 USA | |
| R07300858 | KIT-FITTING 1/4M-1/4M - 15Pcs | KIT-RACCORDO 1/4M-1/4M - 15Pz | |
| 07300862 | PLUG 1/8 GAS Aisi304 + ORING POSITION | TAPPO 1/8 GAS AISI304 + SEDE OR | |
| 07300863 | PLUG 1/4 GAS Aisi304 + ORING POSITION | TAPPO 1/4 GAS AISI304 + SEDE OR | |
| 07300864 | FITTING 1/4M 1/8M + THREADED M6 Aisi316 + | RACCORDO 1/4M 1/8M + FILETT.M6 AISI316 + SEDE OR | |
| 09000005 | COMPLETE AUTOLEVEL PROBE L=130 | SONDA AUTOLIVELLO COMP. L=130 | |
| R09000005 | KIT-COMPLETE AUTOLEVEL PROBE L=130 - 1Pcs | KIT-SONDA AUTOLIVELLO COMP. L=130 - 1Pz | |
| 09500002 | AUTOMATIC THERMOSTAT 125°C WHITE DRIPPING | TERMOSTATO RIARMO AUTO. 125°C | |
| 09500004 | MANUAL THERMOSTAT 135°C GREEN DRIPPING | TERMOSTATO R.MAN. 135C GOCCIOLATURA VERDE | |
| R09500004 | KIT-MANUAL THERMOSTAT 135°C GREEN DRIPPING - 2Pc | KIT-TERMOSTATO R.MAN. 135C GOCCIOLATURA VERDE- 2 | |
| 09500014 | HEATING ELEMENT THERMAL PROTECTION G5 167°C 16A | TERMOPRO. RESISTENZA G5 167°C 16A 250V UL | |



GRUPPO CALDAIE T3 (DAL 18-03-2016)

T3 BOILER GROUP (FROM 18-03-2016)

| COD. | DESCRIPTION | DESCRIZIONE | VAL. |
|-------------------|---|--|------|
| R09500014 | KIT-HEATING ELEMENT THERMAL PROTECTION - 2Pcs | KIT-TERMOPROTETTORE x RESISTENZA G5 167°C 16A 250 | |
| 48000010 | DISPENSING TUBE VENUS 2-3 GR | TUBO EROGAZIONE GRUPPO VENUS 2-3 GRUPPI | |
| 98030000009880002 | COFFEE BOILER SET COPPER TUBES VA388 CSA | ASS. CALDAIA CAFFE' "TUBI RAME" VA388 CSA | |
| 98030000009880001 | COFFEE BOILER SET COPPER TUBES VA388 CE | ASS. CALDAIA CAFFE' "TUBI RAME" VA388 CE | |
| 98030000009890001 | COFFEE BOILER SET COPP TUBES RIGHT GROUP VA388 | ASS. CALDAIA CAFFE' "TUBI RAME" GR. DX VA388 | |
| 98030000009890002 | COFFEE BOILER SET COPP TUBES RIGHT GROUP VA388 | ASS. CALDAIA CAFFE' "TUBI RAME" GR. DX VA388 | |
| 98030000000992 | BOILER SET VA388 2GR CURVED FLANGE | ASSIEME CALDAIA VA388 2GR. "DOPPIA COPPA" | |
| 98030000000993 | BOILER SET VA388 3GR CURVED FLANGE | ASSIEME CALDAIA VA388 3GR. "DOPPIA COPPA" | |
| 98120001 | NEPLAX VITON 16,5 BAR VALVE 1/8 HOSE CLAMP | VALVOLA NEPLAX VITON 16,5 BAR 1/8 - PORTAGOMMA | |
| R98120001 | KIT-NEPLAX VITON 16,5 BAR VALVE 1/8 HOSE CLAMP - 2P | KIT-VALVOLA NEPLAX VITON 16,5 BAR 1/8 - PORTAGOMMA | |
| 98240014100011 | HEATING ELEMENT W/ NUTS 3000W | RESISTENZA COMPLETA DI DADI 3000W | |
| 98240014100012 | HEATING ELEMENT W/ NUTS 5000W | RESISTENZA COMPLETA DI DADI 5000W | |
| R98240014100012 | KIT-HEATING ELEMENT W/ NUTS 5000W - 1Pcs | KIT-RESISTENZA COMPLETA DI DADI 5000W - 1Pz | |
| 98240014100031 | HEATING ELEMENT W/ NUTS 4500W | RESISTENZA COMPLETA DI DADI 4500W | |
| R98240014100031 | KIT-HEATING ELEMENT W/ NUTS 4500W - 1Pcs | KIT-RESISTENZA COMPLETA DI DADI 4500W - 1Pz | |



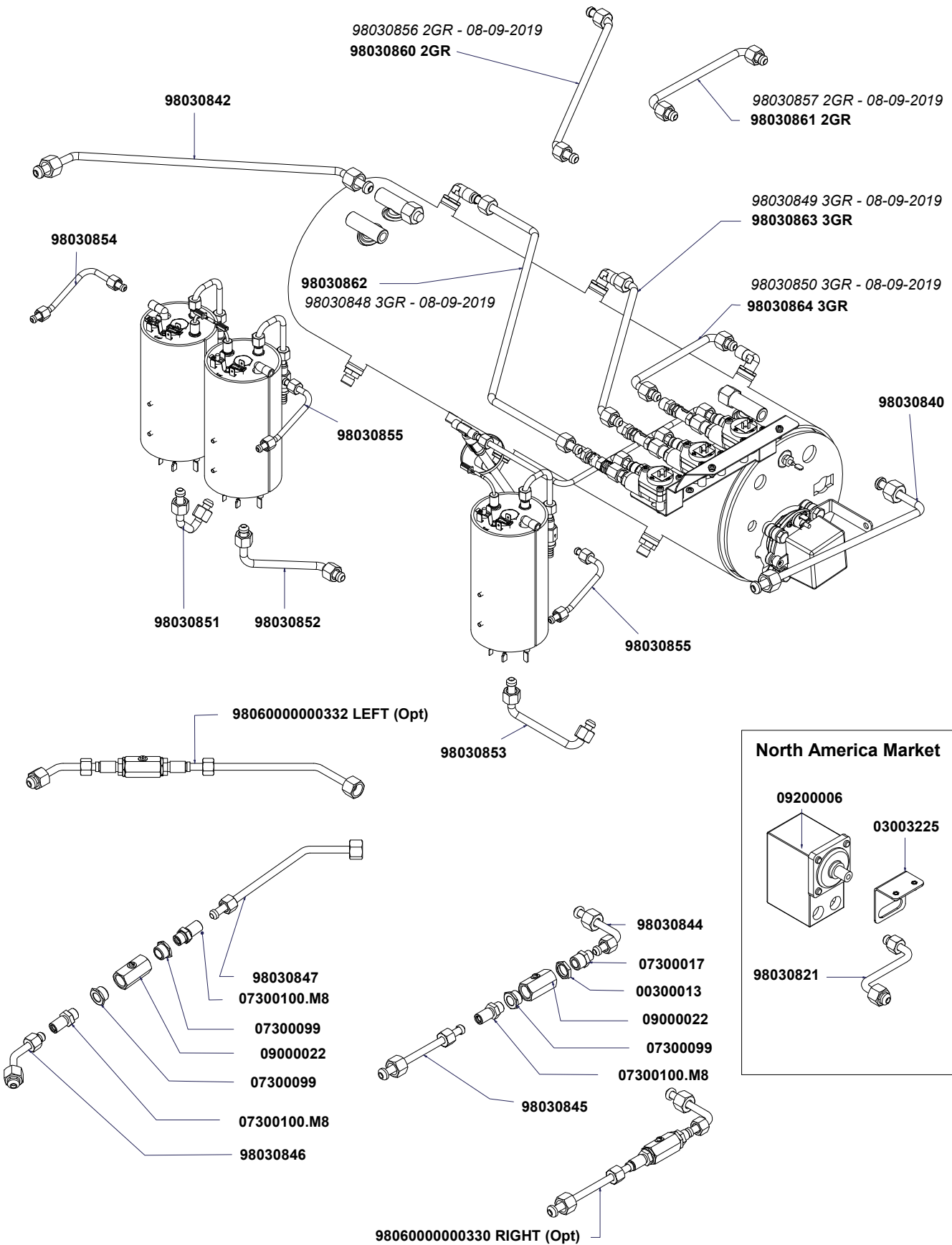
INSPIRED BY YOUR PASSION.

T. 06 - bis



TUBAZIONI RAME (DAL 18-03-2016)

COPPER PIPES (FROM 18-03-2016)





TUBAZIONI RAME (DAL 18-03-2016)

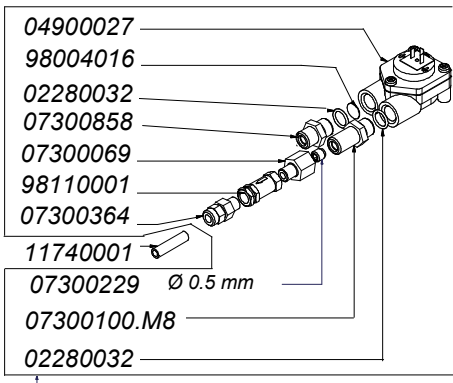
COPPER PIPES (FROM 18-03-2016)

| COD. | DESCRIPTION | DESCRIZIONE | VAL. |
|----------------|---|---|------|
| 00300013 | BRASS NUT 3/8 GAS D4 CH20 ADD 22.07.96 | DADO OT 3/8 GAS SPESS.4 CH20 AGG.22.07.96 | |
| 98030864 | EXT. FLOWMETER GIGLER-BOILER TUBE VA388 3GR-GRC | TUBO DOSAT. GIGLER ESTERNO - CALDAIA VA388 3GR. GF | |
| 03003225 | SAFETY PRESSOSTAT SUPPORT VA388 | LAMIERA SUPP. PRESSOSTATO MECCANICO VA388 | |
| 07300017 | FITTING 1/4M 3/8M GAS OT-57 USA | RACCORDO 1/4M 3/8M GAS OT-57 USA | |
| 07300099 | FITTING ADAPTER 3/8-1/4 ES. 20 ADD. 29.05.96 | RIDUZIONE 3/8-1/4 ES.20 AGG. 29.05.96 | |
| 07300100.M8 | DISCHARGE ATTACHMENT 1/4 1/4 + INT M8 OT-57 USA | ATTACCO SCAR. 1/4-1/4 + INT M8OT-57 USA | |
| R07300100.M8 | KIT-DISCHARGE ATTACHMENT 1/4 1/4 + INT - 8Pcs | KIT-ATTACCO SCAR. 1/4-1/4 + INT M8 - 8Pz | |
| 09000022 | SPHERE TAP FOR STEAM 3/8F-FMINI SCREWDRIVER | RUBINET. SFERA X VAPORE 3/8F-FMINI CHIUS CACCIAVITE | |
| 09200006 | MACHINE PRESSO GAUGE CE/UL TRIF. 30A 400V | PRESSOSTATO CE/UL TRIF. 30A 400V 0,5-1,4BAR | |
| R09200006 | KIT-MACHINE PRESSO GAUGE CE/UL TRIF. 30A 400V - 1Pc | KIT-PRESSOSTATO MACCHINA CE/UL TRIF. 30A 400V- 1Pz | |
| 98030821 | BOILER-PRESSURE GAUGE TUBE VA388 CURVED FLANG | TUBO CALDAIA - PRESSOSTATO VA388 DOPPIA COPPA SC | |
| 98030840 | RIGHT STEAMWAND TUBE VA388 CURVED FLANGE | TUBO LANCIA VAPORE DX VA388 DOPPIA COPPA | |
| 98030842 | LEFT STEAMWAND TUBE VA388 CURVED FLANGE | TUBO LANCIA VAPORE SX VA388 DOPPIA COPPA | |
| 98030844 | BOILER- RIGHT SOL. VALVE EASYCREAM PIPE | TUBO CALDAIA-E.V. EASY CREAM DX VA388 2-3 GR. DOPPI | |
| 98030845 | EASYCREAM SOL. VALVE-RIGHT WAND | TUBO E.V. EASY CREAM - LANCIA DX VA388 DOPPIA COPP | |
| 98030846 | BOILER-LEFT EASYCREAM VLVE TUBE VA388 CURVEDFL | TUBO CALDAIA-E.V. EASY CREAM SX VA388 DOPPIA COPP | |
| 98030847 | EASYCREAM VALVE-LEFT WAND TUBE VA388 CURVED FL | TUBO E.V. EASY CREAM - LANCIA SX VA388 DOPPIA COPP | |
| 98030848 | FLOWMTER-CURVE FLANGE BOILER TUBE VA388 3GR-GF | TUBO DOSATORE - CALDAIA VA388 3GR. GRUPPO 1 DOPP | |
| 98030849 | FLOWMTER-CURVE FLANGE BOILER TUBE VA388 3GR-GF | TUBO DOSATORE - CALDAIA VA388 3GR. GRUPPO 2 DOPP | |
| 98030850 | FLOWMTER-CURVE FLANGE BOILER TUBE VA388 3GR-GF | TUBO DOSATORE - CALDAIA VA388 3GR. GRUPPO 3 DOPP | |
| 98030851 | BOILER-COFFEE BOILER TUBE VA388GROUP1 CURVE FL | TUBO CALDAIA-CALDAIETTA VA388 GRUPPO 1 DOPPIA CO | |
| 98030852 | BOILER-COFFEE BOILER TUBE VA388GROUP2 CURVE FL | TUBO CALDAIA-CALDAIETTA VA388 GRUPPO 2 DOPPIA CO | |
| 98030853 | BOILER-COFFEE BOILER TUBE VA388GROUP3 CURVE FL | TUBO CALDAIA-CALDAIETTA VA388 GRUPPO 3 DOPPIA CO | |
| 98030854 | COFFEE BOILER-GR TUBE VA388 GROUP1 CURVED FLAN | TUBO CALDAIETTA-GRUPPO VA388 GRUPPO 1 DOPPIA CO | |
| 98030855 | COFFEE BOILER-GR TUBE VA388 GROUP2-3 CURVED FLA | TUBO CALDAIETTA-GRUPPO VA388 GRUPPO 2-3 DOPPIA C | |
| 98030856 | FLOWMTER-CURVE FLANGE BOILER TUBE VA388 2GR-GF | TUBO DOSATORE - CALDAIA VA388 2GR. GRUPPO 1 DOPP | |
| 98030857 | FLOWMTER-CURVE FLANGE BOILER TUBE VA388 2GR-GF | TUBO DOSATORE - CALDAIA VA388 2GR. GRUPPO 2 DOPP | |
| 98030860 | EXT. FLOWMETER GIGLER-BOILER TUBE VA388 2GR-GRC | TUBO DOSAT. GIGLER ESTERNO - CALDAIA VA388 2GR. GF | |
| 98030861 | EXT. FLOWMETER GIGLER-BOILER TUBE VA388 2GR-GRC | TUBO DOSAT. GIGLER ESTERNO - CALDAIA VA388 2GR. GF | |
| 98030862 | EXT. FLOWMETER GIGLER-BOILER TUBE VA388 3GR-GRC | TUBO DOSAT. GIGLER ESTERNO - CALDAIA VA388 3GR. GF | |
| 98030863 | EXT. FLOWMETER GIGLER-BOILER TUBE VA388 3GR-GRC | TUBO DOSAT. GIGLER ESTERNO - CALDAIA VA388 3GR. GF | |
| 98060000000330 | RIGHT STEAM TAP + TUBE LOCKS SET VA388 T3 | ASS. RUBINETTO + TUBI CHIUSURA VAPORE DX VA388 T3 | |
| 98060000000332 | LEFT STEAM TAP + TUBE LOCKS SET VA388 T3 | ASS. RUBINETTO + TUBI CHIUSURA VAPORE SX VA388 T3 | |

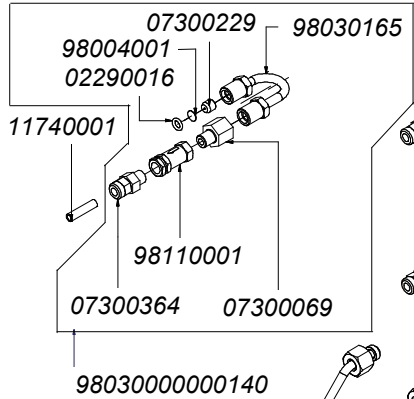


PARTI GRUPPO IDRAULICO (FINO AL 17-03-2016)

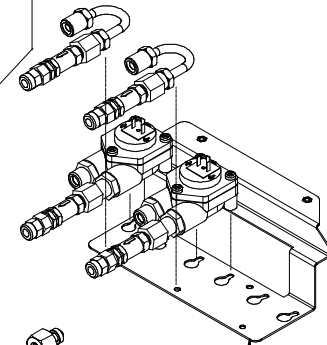
HYDR. GROUP PARTS (UNTIL 17-03-2016)



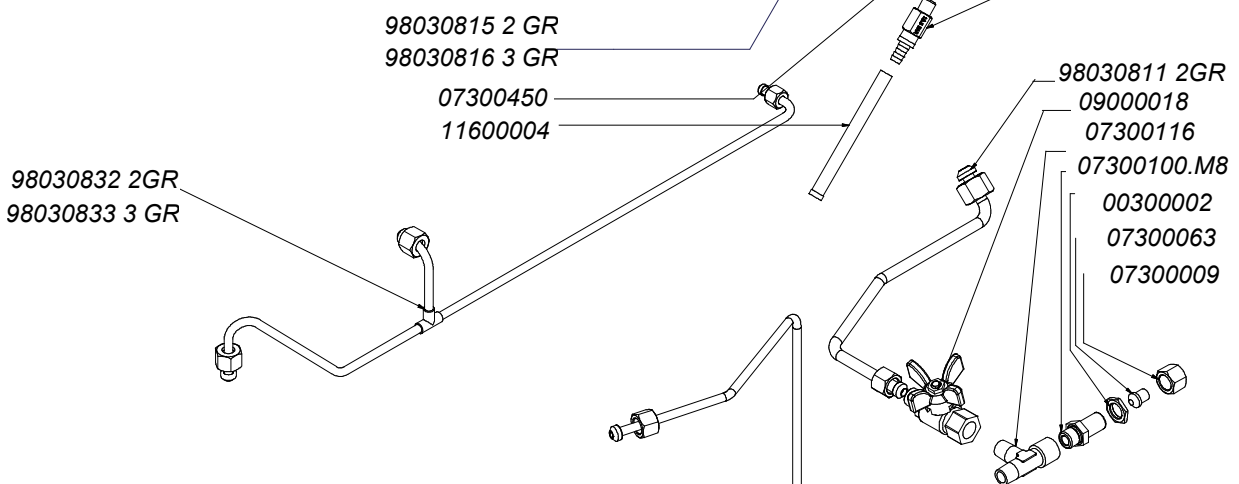
9803000000137



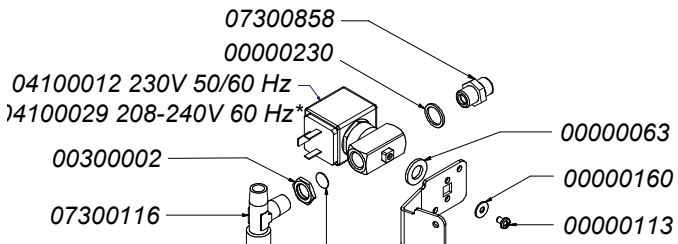
9803000000140



03003228

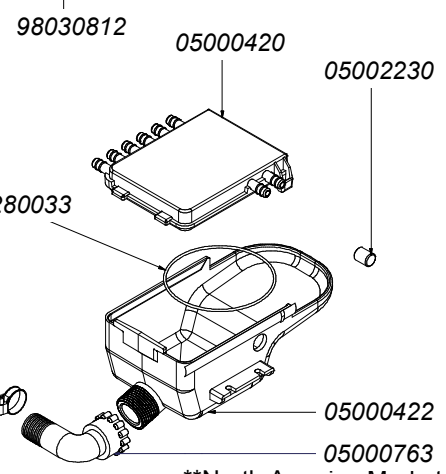
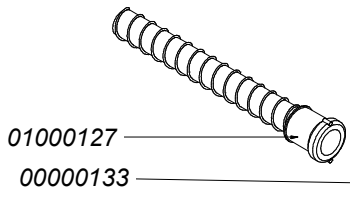


98030832 2GR
98030833 3 GR



- 00300002
- 07300116
- 98003018
- 00300002
- 07300116
- 01000019

- 98004016
- 03003234



**North America Market
Mercato Nord America



PARTI GRUPPO IDRAULICO (FINO AL 17-03-2016)

HYDR. GROUP PARTS (UNTIL 17-03-2016)

| COD. | DESCRIPTION | DESCRIZIONE | VAL. |
|--------------|--|--|------|
| 00000063 | GALV WASHER AQ D10X21X2 | RONDELLA AQ D 10X21X2 ZN | |
| 00000113 | S/S CROS SHEAD CAP SCREW M4x6 7985 | VITE INOX M4X6 TC T.CR. 7985 | |
| 00000133 | S/S CLIP WD12 16-25 C7 W2 | FASCETTA INOX WD12 16-25 C7 W2 | |
| 00000160 | S/S WASHER D4X12 UNI 6593 | RONDELLA INOX D4X12X1 UNI 6593 | |
| 00000230 | COPPER WASHER SEAL 14X18X1.5 | RONDELLA GUARNIZIONE RAME RICOTTO 14X18X1.5 | |
| 00300002 | BRASS NUT 1/4 D3 CH18 | DADO OT 1/4 SPESS.3 CH18 AGG. 22.07.96 | |
| R00300002 | KIT-BRASS NUT 1/4 D3 - 15Pcs | KIT-DADO OT 1/4 SPESS.3 - 15Pz | |
| 01000019 | S/S FLEXIBLE TUBE 1/4 FF L= 500 | TUBO FLESS.INOX 1/4 F.F. L=500*KBB* | |
| R01000019 | KIT-S/S FLEXIBLE TUBE 1/4 FF L= 500 - 1Pcs | KIT-TUBO FLESS.INOX 1/4 F.F. L=500 - 1Pz | |
| 01000127 | DIRECT SLEEVE DISCHARGE TUBE D19 L=2m | TUBO SCARICO CON MANICOTTO DIRITTO D.19 L= 2 M | |
| R01000127 | KIT-DIRECT SLEEVE DISCHARGE TUBE D19 L=2m - 2Pcs | KIT-TUBO SCARICO CON MANICOTTO DIRITTO D.19 L= 2 m- | |
| 02280032 | GASKET O RING 114 D15 EP 851 | GUARN. OR 114 D.15 EP 851 | |
| R02280032 | KIT-GASKET O RING 114 D15 EP - 25Pcs | KIT-GUARN. OR 114 D.15 EP - 25Pz | |
| 02280033 | GASKET O RING 75,92x1,78 NBR XP70 | GUARN. OR 75,92X1,78 NBR XP70 2300 | |
| R02280033 | KIT-GASKET O RING 75,92x1,78 NBR - 20Pcs | KIT-GUARN. OR 75,92x1,78 NBR - 20Pz | |
| 02290016 | GASKET O RING D9,5 R5 SIL RED | GUARN. OR D 9,5 R5 SILICONE R. | |
| R02290016 | KIT-GASKET O RING D9,5 SIL RED - 30Pcs | KIT-GUARN. OR D 9,5 SILICONE R. - 30Pz | |
| 03003234 | SUPPORT SHEET SELF LEVEL VALVE | LAMIERA SUPP. EV LIVELLO VA388 | |
| 04100012 | 2WAY SOLENOID 1/8-1/8 1/8 240V50/60hz F3 UL TH2xM5 | E.V. NC 2VIE 1/4-1/4 220-230V 50/60HZ VITON F1.5 CE | |
| R04100012 | KIT-2WAY SOLENOID 1/8-1/8 1/8 240V50/60hz F3 - 1Pcs | KIT-E.V. NC 2VIE 1/4-1/4 220-230V 50/60HZ VITON- 1Pz | |
| 04100029 | 2WAY SOLENOID 1/4-1/4 208-240V 60Hz F1.5 UL TH1xM4 | E.V. NC 2VIE 1/4-1/4 208-240V 60HZ VITON F1.5 UL PIEDINO | |
| 04900027 | BRASS FLOWMETER 1/4-1/4GAS -ATT. HEAD 2,8x0,5 | DOSATORE VOLUMETRICO OTT. 1/4-1/4GAS -ATT. TEST. 2, | |
| R04900027 | KIT-BRASS FLOWMETER 1/4-1/4GAS -ATT. HEAD 2,8x0,5 - | KIT-DOSATORE VOLUMETRICO OTT. 1/4-1/4GAS - 1Pz | |
| 05000420 | TRAY PLUG UNDER PLATE VA388 | TAPPO VASCHETTA SOTTO PIATTO VA388 | |
| 05000422 | DRIP TRAY UNDER PLATED VA388 | VASCHETTA SOTTO PIATTO VA388 | |
| 05000763 | CONNECTION 3/4 90°F FOR DRAINING TUBE | RACCORDO ATT. 3/4FX19 90° X TUBO DI SCARICO | |
| R05000763 | KIT-CONNECTION 3/4 90°F FOR DRAINING TUBE - 4Pcs | KIT-RACCORDO ATT. 3/4Fx19 90° x TUBO DI SCARICO- 4Pz | |
| 05002230 | DRAIN RUBBER PLUG D8 x 05002228 | TAPPO GOMMA SCARICO D.8 X 05002228 | |
| 07300009 | NUT FITTING 1/4 GAS | DADO RACCORDO 1/4 GAS | |
| 07300063 | CLOSED TERMINAL D11 | TERMINALE CHIUSO D.11 | |
| 07300069 | 1/8" M 1/4" F FITTING ADD. 02.03.88 | RACCORDO 1/8"M 1/4"F AGG. 02.03.88 | |
| 07300100.M8 | DISCHARGE ATTACHMENT 1/4 1/4 + INT M8 OT-57 USA | ATTACCO SCAR. 1/4-1/4 + INT M8OT-57 USA | |
| R07300100.M8 | KIT-DISCHARGE ATTACHMENT 1/4 1/4 + INT - 8Pcs | KIT-ATTACCO SCAR. 1/4-1/4 + INT M8 - 8Pz | |
| 07300116 | FITTING T 1/4 M-M-F OT-57 | RACCORDO T 1/4 M-M-F OT-57 | |
| R07300116 | KIT-FITTING T 1/4 M-M-F - 5Pcs | KIT-RACCORDO T 1/4 M-M-F - 5Pz | |
| 07300229 | GIGLEUR M8X8 F.0,5 OT-57 + TEA | GIGLER M8X8 F.0,5 OT-57 +TEA | |
| R07300229 | KIT-GIGLEUR M8X8 F.0,5 + TEA - 15Pcs | KIT-GIGLER M8x8 F.0,5 - 15Pz | |
| 07300364 | STRAIGHT FITTING 1/8 M CON. - FITTING.6 340 | RACCORDO DIR. 1/8 M CON. - CALZAM.6 340 | |
| R07300364 | KIT-STRAIGHT FITTING 1/8 M CON. - FITTING.6 340 - 8Pcs | KIT-RACCORDO DIR. 1/8 M CON. - CALZAM.6 - 8Pz | |
| 07300450 | FITTING T 1/8 M-F-M OT-57 | RACCORDO T 1/8 M-F-M OT-57 | |
| 07300858 | FITTING 1/4M-1/4M OT-57 USA | RACCORDO 1/4M-1/4M OT-57 USA | |
| R07300858 | KIT-FITTING 1/4M-1/4M - 15Pcs | KIT-RACCORDO 1/4M-1/4M - 15Pz | |
| 09000018 | DISPENSING SPHERE TAP 1/4 M-F "BUTTERFLY" | RUBINET. SFERA DISTRIBUTORE 1/4 M-F A FARFALLA | |
| 11600004 | SILICONE PIPE 5x9 60Sh PEROX | TUBO SILICONE 5X9 60SH PEROX BIANCO (1MT=50GR) | |
| 11740001 | TEFLON PIPE 6/4 | TUBO TEFLON 6/4 | |
| 98003018 | RETURN VALVE 98 ES.16 | VALVOLA RITEGNO 98 ES.16 | |
| R98003018 | KIT-RETURN VALVE - 1Pcs | KIT-VALVOLA RITEGNO - 1Pz | |



PARTI GRUPPO IDRAULICO (FINO AL 17-03-2016)

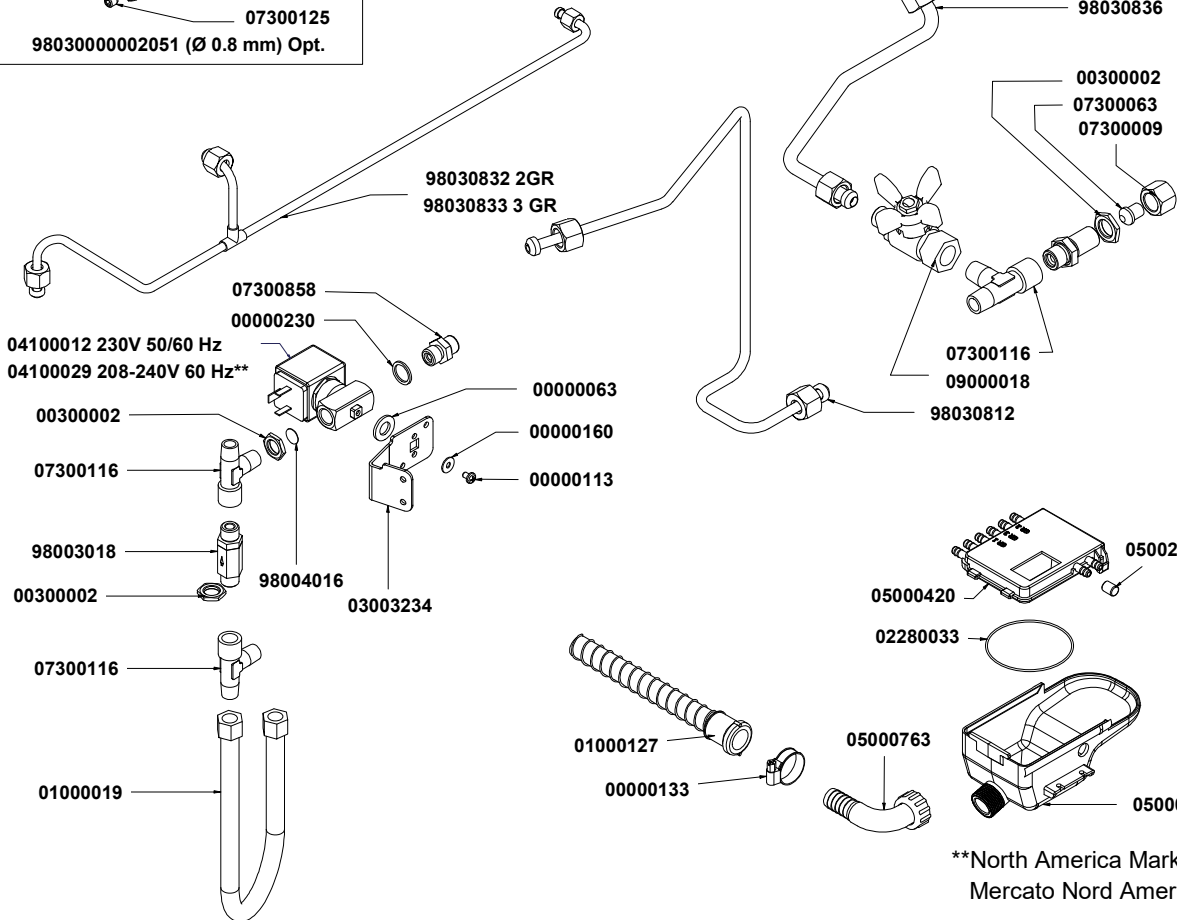
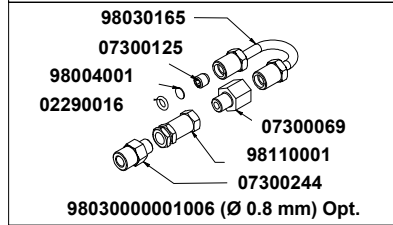
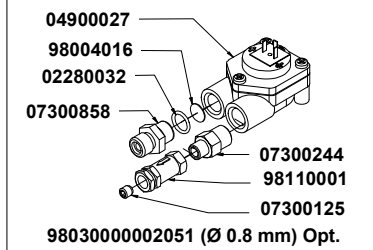
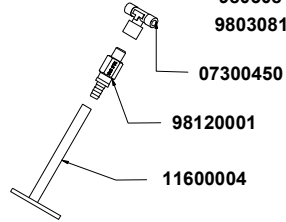
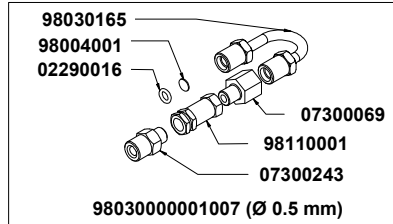
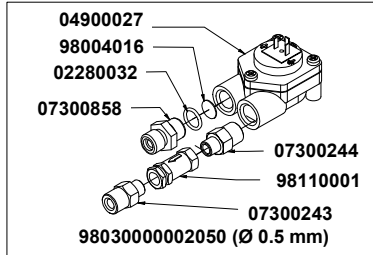
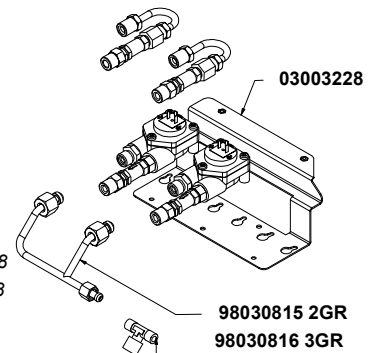
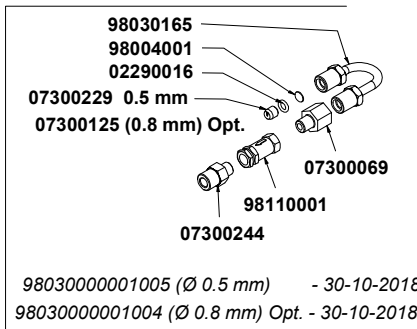
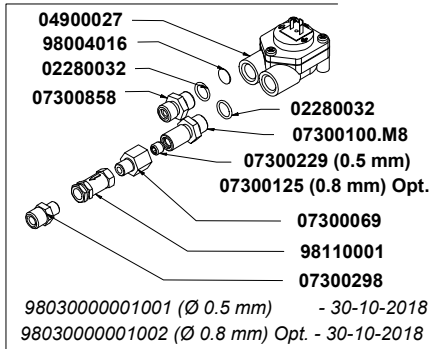
HYDR. GROUP PARTS (UNTIL 17-03-2016)

| COD. | DESCRIPTION | DESCRIZIONE | VAL. |
|---------------|---|---|------|
| 98004001 | S/S FILTER D8 | FILTRO INOX DIAM. 8 | |
| 98004016 | S/S FILTER D12 | FILTRO INOX DIAM. 12 | |
| R98004016 | KIT-S/S FILTER D12 - 25Pcs | KIT-FILTRO INOX DIAM. 12 - 25Pz | |
| 9803000000137 | FLOWMETER SET AURELIA II T3 GIGLER F0,5 | ASSIEME DOSATORE AURELIA II T3 GIGLER F.0,5 | |
| 9803000000140 | HYDRAULIC GR-BOILER TUBE AURELIA II T3 GIGLER F0,5 | ASS. TUBO COLL. GR.IDRAULICO -CALDAIA AURELIA II T3 G | |
| 98030165 | TUBE 1/4 1/4 SEMI-AUTO MODIFY APPIA 1-2-3GR | TUBO 1/4 1/4 MODIFICA SEMIAUT APPIA 1-2-3 GR. | |
| 98030811 | BOILER CHARGE PIPE VA388 2GR. | TUBO CARICO CALDAIA VA388 2GR.SOLO PER CALDAIA CC | |
| 98030812 | LEVEL VALVE - TAP TUBE VA388 CURVED FLANGE BOILE | TUBO E.V. LIVELLO - RUBINETTO VA388 CALDAIA DOPPIA | |
| 98030815 | CONN.MANIFOLD-FLOWMETER VA388 2GR | CROCIERA COLLEGAMENTO DOSATORI VA388 2GR. CALDAIA | |
| 98030816 | CONN.MANIFOLD-FLOWMETER VA388 3GR | CROCIERA COLLEGAMENTO DOSATORI VA388 3GR. CALDAIA | |
| 98030832 | LEVEL/PUMP TUBE-MANIFOLD VA388 2GR | TUBO UNICO E.V. LIVELLO/POMPA - CROCIERA VA388 2GR | |
| 98030833 | LEVEL/PUMP TUBE-MANIFOLD VA388 3GR | TUBO UNICO E.V. LIVELLO/POMPA - CROCIERA VA388 3GR | |
| 98110001 | RETURN VALVE 1/8 F-FOT-58 | VALVOLA RITEGNO COMPL. 1/8 F-FOT-58 | |
| R98110001 | KIT-RETURN VALVE 1/8 F-F - 3Pcs | KIT-VALVOLA RITEGNO COMPL. 1/8 F-F - 3Pz | |
| 98120001 | NEPLAX VITON 16,5 BAR VALVE 1/8 HOSE CLAMP | VALVOLA NEPLAX VITON 16,5 BAR 1/8 - PORTAGOMMA | |
| R98120001 | KIT-NEPLAX VITON 16,5 BAR VALVE 1/8 HOSE CLAMP - 2P | KIT-VALVOLA NEPLAX VITON 16,5 BAR 1/8 - PORTAGOMMA | |



PARTI GRUPPO IDRAULICO (DAL 18-03-2016)

HYDR. GROUP PARTS (FROM 18-03-2016)



**North America Market
Mercato Nord America



PARTI GRUPPO IDRAULICO (DAL 18-03-2016)

HYDR. GROUP PARTS (FROM 18-03-2016)

| COD. | DESCRIPTION | DESCRIZIONE | VAL. |
|--------------|---|--|------|
| 00000063 | GALV WASHER AQ D10X21X2 | RONDELLA AQ D 10X21X2 ZN | |
| 00000113 | S/S CROS SHEAD CAP SCREW M4x6 7985 | VITE INOX M4X6 TC T.GR. 7985 | |
| 00000133 | S/S CLIP WD12 16-25 C7 W2 | FASCETTA INOX WD12 16-25 C7 W2 | |
| 00000160 | S/S WASHER D4X12 UNI 6593 | RONDELLA INOX D4X12X1 UNI 6593 | |
| 00000230 | COPPER WASHER SEAL 14X18X1.5 | RONDELLA GUARNIZIONE RAME RICOTTO 14X18X1.5 | |
| 00300002 | BRASS NUT 1/4 D3 CH18 | DADO OT 1/4 SPESS.3 CH18 AGG. 22.07.96 | |
| R00300002 | KIT-BRASS NUT 1/4 D3 - 15Pcs | KIT-DADO OT 1/4 SPESS.3 - 15Pz | |
| 01000019 | S/S FLEXIBLE TUBE 1/4 FF L= 500 | TUBO FLESS.INOX 1/4 F.F. L=500*KBB* | |
| R01000019 | KIT-S/S FLEXIBLE TUBE 1/4 FF L= 500 - 1Pcs | KIT-TUBO FLESS.INOX 1/4 F.F. L=500 - 1Pz | |
| 01000127 | DIRECT SLEEVE DISCHARGE TUBE D19 L=2m | TUBO SCARICO CON MANICOTTO DIRITTO D.19 L= 2 M | |
| R01000127 | KIT-DIRECT SLEEVE DISCHARGE TUBE D19 L=2m - 2Pcs | KIT-TUBO SCARICO CON MANICOTTO DIRITTO D.19 L= 2 m- | |
| 02280032 | GASKET O RING 114 D15 EP 851 | GUARN. OR 114 D.15 EP 851 | |
| R02280032 | KIT-GASKET O RING 114 D15 EP - 25Pcs | KIT-GUARN. OR 114 D.15 EP - 25Pz | |
| 02280033 | GASKET O RING 75,92x1,78 NBR XP70 | GUARN. OR 75,92X1,78 NBR XP70 2300 | |
| R02280033 | KIT-GASKET O RING 75,92x1,78 NBR - 20Pcs | KIT-GUARN. OR 75,92x1,78 NBR - 20Pz | |
| 02290016 | GASKET O RING D9,5 R5 SIL RED | GUARN. OR D 9,5 R5 SILICONE R. | |
| R02290016 | KIT-GASKET O RING D9,5 SIL RED - 30Pcs | KIT-GUARN. OR D 9,5 SILICONE R. - 30Pz | |
| 03003228 | FLOW METER SUPPORT VA388 | LAMIERA SUPP. DOSATORI VA388 | |
| 03003234 | SUPPORT SHEET SELF LEVEL VALVE | LAMIERA SUPP. EV LIVELLO VA388 | |
| 04100012 | 2WAY SOLENOID 1/8-1/8 1/8 240V50/60hz F3 UL TH2xM5 | E.V. NC 2VIE 1/4-1/4 220-230V 50/60HZ VITON F1.5 CE | |
| R04100012 | KIT-2WAY SOLENOID 1/8-1/8 1/8 240V50/60hz F3 - 1Pcs | KIT-E.V. NC 2VIE 1/4-1/4 220-230V 50/60HZ VITON- 1Pz | |
| 04100029 | 2WAY SOLENOID 1/4-1/4 208-240V 60HZ F1.5 UL TH1xM4 | E.V. NC 2VIE 1/4-1/4 208-240V 60HZ VITON F1.5 UL PIEDINO | |
| 04900027 | BRASS FLOWMETER 1/4-1/4GAS -ATT. HEAD 2,8x0,5 | DOSATORE VOLUMETRICO OTT. 1/4-1/4GAS -ATT. TEST. 2,8 | |
| R04900027 | KIT-BRASS FLOWMETER 1/4-1/4GAS -ATT. HEAD 2,8x0,5 - | KIT-DOSATORE VOLUMETRICO OTT. 1/4-1/4GAS - 1Pz | |
| 05000420 | TRAY PLUG UNDER PLATE VA388 | TAPPO VASCHETTA SOTTO PIATTO VA388 | |
| 05000422 | DRIP TRAY UNDER PLATED VA388 | VASCHETTA SOTTO PIATTO VA388 | |
| 05000763 | CONNECTION 3/4 90°F FOR DRAINING TUBE | RACCORDO ATT. 3/4FX19 90° X TUBO DI SCARICO | |
| R05000763 | KIT-CONNECTION 3/4 90°F FOR DRAINING TUBE - 4Pcs | KIT-RACCORDO ATT. 3/4Fx19 90° x TUBO DI SCARICO- 4Pz | |
| 05002230 | DRAIN RUBBER PLUG D8 x 05002228 | TAPPO GOMMA SCARICO D.8 X 05002228 | |
| 07300009 | NUT FITTING 1/4 GAS | DADO RACCORDO 1/4 GAS | |
| 07300063 | CLOSED TERMINAL D11 | TERMINALE CHIUSO D.11 | |
| 07300069 | 1/8" M 1/4" F FITTING ADD. 02.03.88 | RACCORDO 1/8"M 1/4"F AGG. 02.03.88 | |
| 07300100.M8 | DISCHARGE ATTACHMENT 1/4 1/4 + INT M8 OT-57 USA | ATTACCO SCAR. 1/4-1/4 + INT M8OT-57 USA | |
| R07300100.M8 | KIT-DISCHARGE ATTACHMENT 1/4 1/4 + INT - 8Pcs | KIT-ATTACCO SCAR. 1/4-1/4 + INT M8 - 8Pz | |
| 07300116 | FITTING T 1/4 M-M-F OT-57 | RACCORDO T 1/4 M-M-F OT-57 | |
| R07300116 | KIT-FITTING T 1/4 M-M-F - 5Pcs | KIT-RACCORDO T 1/4 M-M-F - 5Pz | |
| 07300125 | GIGLEUR M8x8 F.0,8 OT-57 +TEA | GIGLER M8X8 F.0,8 OT-57 +TEA | |
| R07300125 | KIT-GIGLEUR M8x8 F.0,8 +TEA - 15Pcs | KIT-GIGLER M8x8 F.0,8 - 15Pz | |
| 07300229 | GIGLEUR M8X8 F.0,5 OT-57 + TEA | GIGLER M8X8 F.0,5 OT-57 +TEA | |
| R07300229 | KIT-GIGLEUR M8X8 F.0,5 + TEA - 15Pcs | KIT-GIGLER M8x8 F.0,5 - 15Pz | |
| 07300243 | FITTING 1/4M 1/8M GIGLER F.0,5 | RACCORDO 1/4M 1/8M GIGLER F.0,5 AISI303 | |
| 07300244 | FITTING 1/4M 1/8M + THREADED M8 Aisi303 | RACCORDO 1/4M 1/8M + FILETT.M8 AISI303 | |
| 07300298 | GIGLER SUPPORT 1/8 1/4 - THREADED M8 OT-57 | PORTA GIGLER 1/8 1/4 + FILETT.M8 OT-57 | |
| 07300450 | FITTING T 1/8 M-F-M OT-57 | RACCORDO T 1/8 M-F-M OT-57 | |
| 07300858 | FITTING 1/4M-1/4M OT-57 USA | RACCORDO 1/4M-1/4M OT-57 USA | |
| R07300858 | KIT-FITTING 1/4M-1/4M - 15Pcs | KIT-RACCORDO 1/4M-1/4M - 15Pz | |
| 09000018 | DISPENSING SPHERE TAP 1/4 M-F "BUTTERFLY" | RUBINET. SFERA DISTRIBUTORE 1/4 M-F A FARFALLA | |



PARTI GRUPPO IDRAULICO (DAL 18-03-2016)

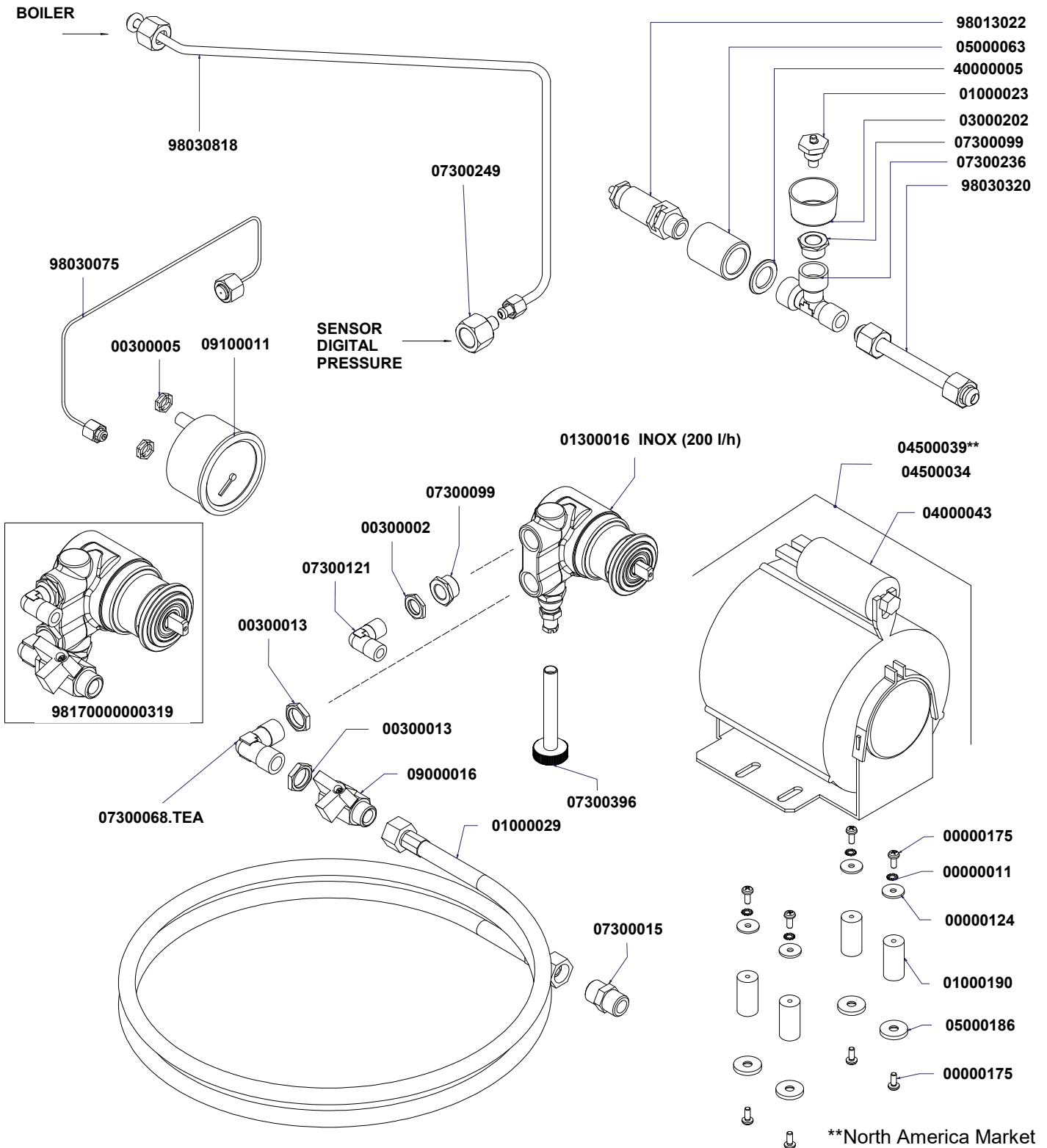
HYDR. GROUP PARTS (FROM 18-03-2016)

| COD. | DESCRIPTION | DESCRIZIONE | VAL. |
|----------------|---|---|------|
| 11600004 | SILICONE PIPE 5x9 60Sh PEROX | TUBO SILICONE 5X9 60SH PEROX BIANCO (1MT=50GR) | |
| 98003018 | RETURN VALVE 98 ES.16 | VALVOLA RITEGNO 98 ES.16 | |
| R98003018 | KIT-RETURN VALVE - 1Pcs | KIT-VALVOLA RITEGNO - 1Pz | |
| 98004001 | S/S FILTER D8 | FILTRO INOX DIAM. 8 | |
| 98004016 | S/S FILTER D12 | FILTRO INOX DIAM. 12 | |
| R98004016 | KIT-S/S FILTER D12 - 25Pcs | KIT-FILTRO INOX DIAM. 12 - 25Pz | |
| 98030000001001 | T3 MACHINE FLOWMETER SET COPPER TUBES GIGLER 0 | ASSIEME DOSATORE MACCHINE T3 "PER TUBI RAME" GIGLER 0 | |
| 98030000001002 | T3 MACHINE FLOWMETER SET COPPER TUBES GIGLER 0 | ASSIEME DOSATORE MACCHINE T3 "PER TUBI RAME" GIGLER 0 | |
| 98030000001004 | HYDRAULIC GR-T3 BOILER TUBE SET "COPPER" GIGLER 0 | ASS. TUBO COLL. GR.IDRAULICO -CALDAIA T3 "PER TUBI F | |
| 98030000001005 | HYDRAULIC GR-T3 BOILER TUBE SET "COPPER" GIGLER 0 | ASS. TUBO COLL. GR.IDRAULICO -CALDAIA T3 "PER TUBI F | |
| 98030000001006 | HYDRAULIC GR-T3 BOILER TUBE SET "EXTERNAL" GIGLE | ASS. TUBO COLL. GR.IDRAUL.-CALDAIA T3 "GIGLER ESTEF | |
| 98030000001007 | HYDRAULIC GR-T3 BOILER TUBE SET "EXTERNAL" GIGLE | ASS. TUBO COLL. GR.IDRAUL.- CALDAIA T3 "GIGLER ESTEF | |
| 98030000002050 | FLOWMETER T3 EXTERNAL GIGLER 0,5 SET | ASSIEME DOSATORE T3 "GIGLER ESTERNO" GIGLER 0,5 | |
| 98030000002051 | FLOWMETER T3 EXTERNAL GIGLER 0,8 SET | ASSIEME DOSATORE T3 "GIGLER ESTERNO" GIGLER 0,8 | |
| 98030165 | TUBE 1/4 1/4 SEMI-AUTO MODIFY APPIA 1-2-3GR | TUBO 1/4 1/4 MODIFICA SEMIAUT APPIA 1-2-3 GR. | |
| 98030812 | LEVEL VALVE - TAP TUBE VA388 CURVED FLANGE BOILE | TUBO E.V. LIVELLO - RUBINETTO VA388 CALDAIA DOPPIA | |
| 98030815 | CONN.MANIFOLD-FLOWMETER VA388 2GR | CROCIERA COLLEGAMENTO DOSATORI VA388 2GR. CALDAIA | |
| 98030816 | CONN.MANIFOLD-FLOWMETER VA388 3GR | CROCIERA COLLEGAMENTO DOSATORI VA388 3GR. CALDAIA | |
| 98030832 | LEVEL/PUMP TUBE-MANIFOLD VA388 2GR | TUBO UNICO E.V. LIVELLO/POMPA - CROCIERA VA388 2GR | |
| 98030833 | LEVEL/PUMP TUBE-MANIFOLD VA388 3GR | TUBO UNICO E.V. LIVELLO/POMPA - CROCIERA VA388 3GR | |
| 98030836 | BOILER LOADING TUBE VA388 2-3GR CURVED FLANGE | TUBO CARICO CALDAIA VA388 2-3 GR. DOPPIA COPPA | |
| 98110001 | RETURN VALVE 1/8 F-FOT-58 | VALVOLA RITEGNO COMPL. 1/8 F-FOT-58 | |
| R98110001 | KIT-RETURN VALVE 1/8 F-F - 3Pcs | KIT-VALVOLA RITEGNO COMPL. 1/8 F-F - 3Pz | |
| 98120001 | NEPLAX VITON 16,5 BAR VALVE 1/8 HOSE CLAMP | VALVOLA NEPLAX VITON 16,5 BAR 1/8 - PORTAGOMMA | |
| R98120001 | KIT-NEPLAX VITON 16,5 BAR VALVE 1/8 HOSE CLAMP - 2P | KIT-VALVOLA NEPLAX VITON 16,5 BAR 1/8 - PORTAGOMMA | |



COMPONENTI GRUPPO POMPA

PUMP GROUP PARTS



**North America Market
Mercato Nord America

| CODE | DESCRIPTION | DESCRIZIONE |
|----------|------------------------------------|------------------------------------|
| 01000029 | STAINLESS STEEL HOSE 3/8 FF L=1500 | TUBO FLESSIBILE INOX 3/8 FF L=1500 |
| 01000030 | STAINLESS STEEL HOSE 3/8 FF L=500 | TUBO FLESSIBILE INOX 3/8 FF L=500 |



INSPIRED BY YOUR PASSION.



COMPONENTI GRUPPO POMPA

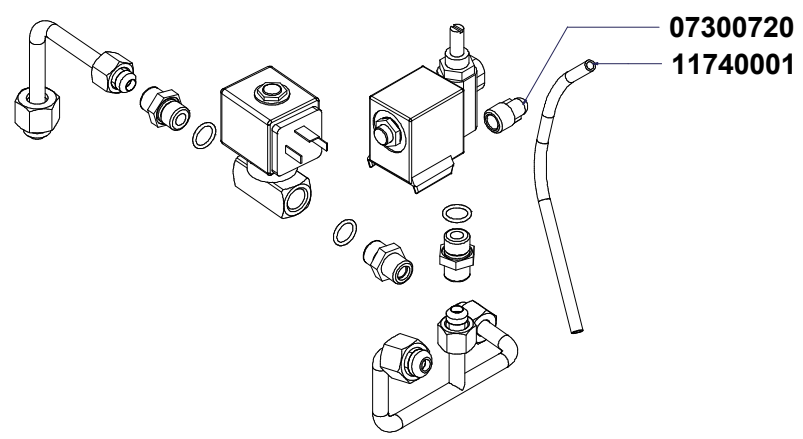
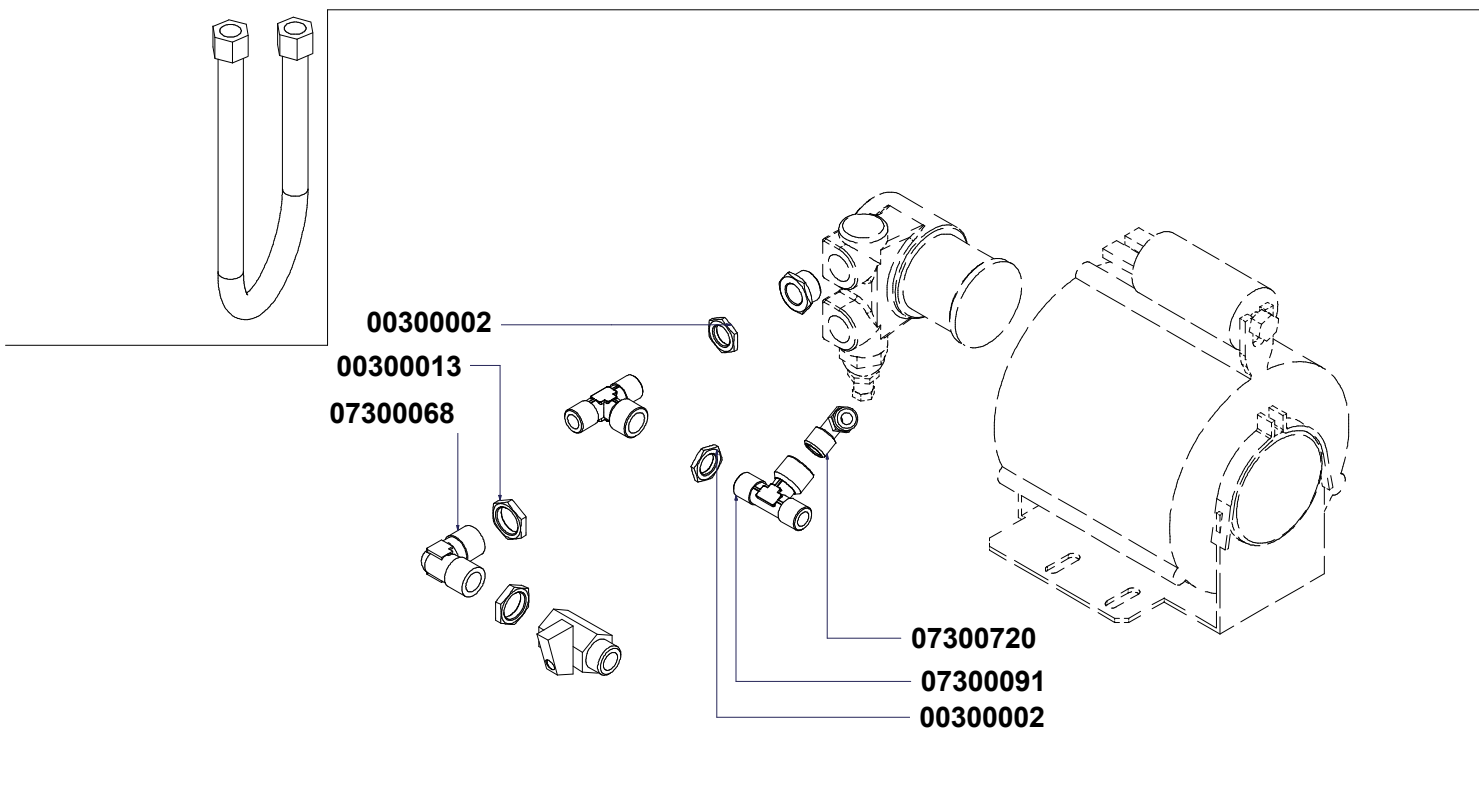
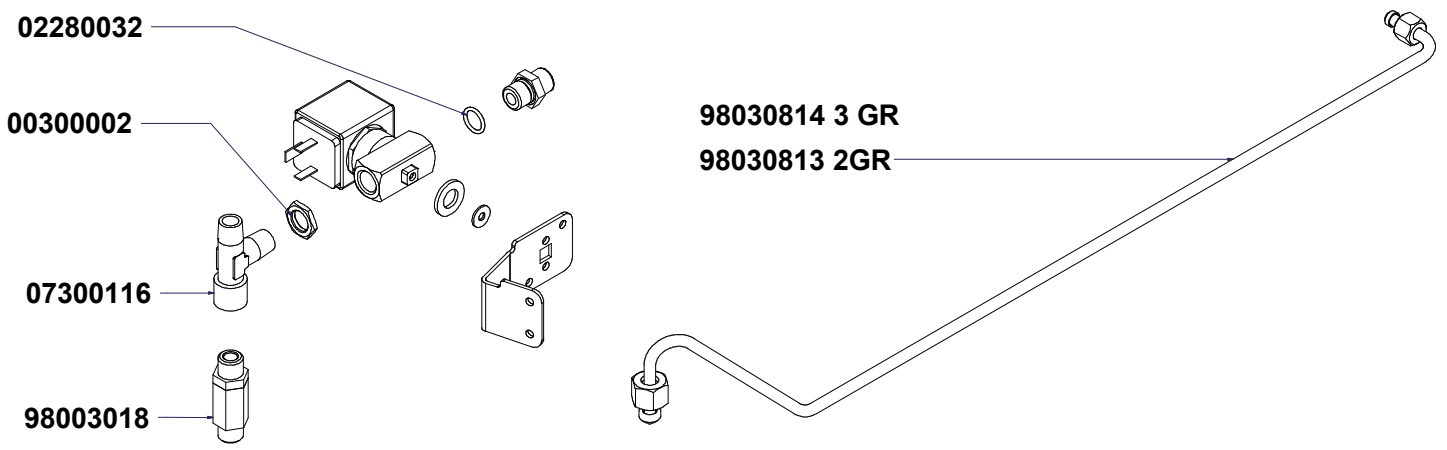
PUMP GROUP PARTS

| COD. | DESCRIPTION | DESCRIZIONE | VAL. |
|----------------|--|---|------|
| 00000011 | S/S KNURLED WASHER M4 UNI8842/A | RONDELLA INOX M4 ZIGRINATA UNI8842/A | |
| 00000124 | GALV WASHER D4 3x16x1.5 | RONDELLA AQ D4.3X16X1.5 ZINC. | |
| 00000175 | S/S CROSS HEAD CAP SCREW M4X10 | VITE INOX M4X10 TC TCR | |
| 00300002 | BRASS NUT 1/4 D3 CH18 | DADO OT 1/4 SPESS.3 CH18 AGG. 22.07.96 | |
| R00300002 | KIT-BRASS NUT 1/4 D3 - 15Pcs | KIT-DADO OT 1/4 SPESS.3 - 15Pz | |
| 00300005 | BRASS NUT 1/8 GAS D4 ADD 22.07.96 CH13 | DADO OT 1/8 GAS AGG.22.07.96 SPESS.4 CH13 | |
| 00300013 | BRASS NUT 3/8 GAS D4 CH20 ADD 22.07.96 | DADO OT 3/8 GAS SPESS.4 CH20 AGG.22.07.96 | |
| 01000023 | ANTI VACUUM VALVE | VALVOLINA SFIATO | |
| R01000023 | KIT-ANTI VACUUM VALVE - 3Pcs | KIT-VALVOLINA SFIATO - 3Pz | |
| 01000029 | S/S FLEXIBLE TUBE 3/8 FF L=1500 | TUBO FLESS INOX 3/8 FF L=1500 | |
| 01000030 | S/S FLEXIBLE TUBE 3/8 FF L=500 | TUBO FLESS INOX 3/8 FF L=500 *KBB* | |
| 01000190 | VIBRATION DAMPER D15x30 M4 FF | ANTIVIBRANTE CD15X30 M4 FF * KB * | |
| 01300016 | S/S VOLUMETRIC PUMP 200 Lt/h | POMPANTE VOLUMETRICO 200 LT/H *KBB* | |
| 03000202 | CONDENSATION TRAY MASTER | VASCHETTA RACCOGLI CONDENSA AGG. 07.06.97 | |
| R03000202 | KIT-CONDENSATION TRAY - 2Pcs | KIT-VASCHETTA RACCOGLI CONDENSA - 2Pz | |
| 04000043 | CAPACITOR 10mF x 04500034 | CONDENS.10MICROF X 04500034 UL | |
| R04000043 | KIT-CAPACITOR 10mF - 1Pcs | KIT-CONDENSATORE 10microF - 1Pz | |
| 04500034 | ELEC ENGINE 230V 50/60Hz 165W | MOTORE ELETTRICO 230V 50/60HZ165W *KBB* | |
| 04500039 | ELEC ENGINE 220/240V 50/60Hz 165W FOR CSA | MOTORE ELETTRICO 220/240V 50/60HZ 165W (X MACCHINE | |
| 05000063 | SAFETY VALVE COVER PA6 | COPRI VALVOLA SICUREZZA PA6 | |
| R05000063 | KIT-SAFETY VALVE COVER PA6 - 8Pcs | KIT-COPRI VALVOLA SICUREZZA PA6 - 8Pz | |
| 05000186 | H3 D6,3/20 NYLON INSERT OSCAR GROUP BLACK | INSERTO NYLON GR. OSCAR H3 D.6,3/20 NERO | |
| 07300015 | FITTING 3/8 3/8 GAS OT-58 ADD. 26.06.96 | RACCORDO 3/8 3/8 GAS OT-58 | |
| 07300068.TEA | CYLINDRICAL ELBOW FITTING G3/8" M/M | RACCORDO L 3/8 M-M CILIN. OT-57 + TEATURA | |
| 07300099 | FITTING ADAPTER 3/8-1/4 ES. 20 ADD. 29.05.96 | RIDUZIONE 3/8-1/4 ES.20 AGG. 29.05.96 | |
| 07300121 | FITTING L 1/4 M-M CYLIND ADD. 18.02.97 | RACCORDO L 1/4 M-M CILINDRICOAGG. 18.02.97 | |
| R07300121 | KIT-FITTING L 1/4 M-M CYLIND - 8Pcs | KIT-RACCORDO L 1/4 M-M CILINDRICO - 8Pz | |
| 07300236 | T FITTING 3/8 M-F-F 466 | RACCORDO A T 3/8 M-F-F | |
| R07300236 | KIT-T FITTING 3/8 M-F-F - 3Pcs | KIT-RACCORDO A T 3/8 M-F-F - 3Pz | |
| 07300249 | FITTING 1/8M L = 12 3/8F | RACCORDO 1/8M L=12 3/8F | |
| 07300396 | PUMPING REGISTER KNOW VA388-VA358 | POMELLO REGISTRO POMPANTE VA388 - VA358 | |
| 09000016 | SPHERE TAP - NETWORK CONNECTION 3/8 M-F MINI | RUBINET. SFERA ALLACCIO RETE 3/8 M-F MINI | |
| R09000016 | KIT-SPHERE TAP - NETWORK CONNECTION 3/8 M-F MINI | KIT-RUBINET. SFERA ALLACCIO RETE 3/8 M-F MINI- 2Pz | |
| 09100011 | GAUGE SCALE 0-16 BAR 1/8 D.60 VICTORIA ARDUINO | MANOMETRO SCALA 0-16 BAR 1/8 D.60 VICTORIA ARDUINO | |
| R09100011 | KIT-GAUGE SCALE 0-16 BAR 1/8 D.60 VA - 1Pcs | KIT-MANOMETRO SCALA 0-16 BAR 1/8 D.60 VA - 1Pz | |
| 40000005 | BRASS WASHER 27x17x2 ROUGH | RONDELLA OT 27X17X2 GREZZA | |
| 98013022 | SAFETY VLVE C10 1,8 BAR 3/8" VITON 97/23/CE | VALVOLA SICUREZZA C10 1,8 BAR 3/8" VITON 97/23/CE CAT | |
| R98013022 | KIT-SAFETY VLVE C10 1,8 BAR 3/8" VITON 97/23/CE - 1Pcs | KIT-VALVOLA SICUREZZA C10 1,8 BAR 3/8" VITON- 1Pz | |
| 98030075 | CAPILLARY TUBE 1/8-1/4 0,9X2X400 GAUGE-PUMP | TUBO CAPILLARE 1/8-1/4 0,9X2X400 MANOM.-POMPA | |
| R98030075 | KIT-CAPILLARY TUBE 1/8-1/4 0,9X2X400 GAUGE-PUMP - 2P | KIT-TUBO CAPILLARE 1/8-1/4 0,9x2x400 MANOM.-POMPA- 2P | |
| 98030320 | TUBE 8X10 T BOILER T SAFETY VALVE 3/8 3/8 ADONIS | TUBO 8X10 T CALDAIA T VALVOLA SICUREZZA 3/8 3/8 ADO | |
| 98030818 | BOILER-DIGIT PRESS GAUGE TUBE VA388 CURVED FLAN | TUBO CALDAIA-PRESSOSTATO DIGIT VA388 CALDAIA DOP | |
| 98170000000319 | PUMP ASSEMBLY 200LT+FITTINGS | ASSIEME POMPANTE INOX 200LT + RACCORDI 2-3GR. VA388 | |



PARTI VECCHIO IMP. IDR. (AL 04-12-2014)

PARTS OLD HYDR. SYSTEM (TO 04-12-2014)





PARTI VECCHIO IMP. IDR. (AL 04-12-2014)

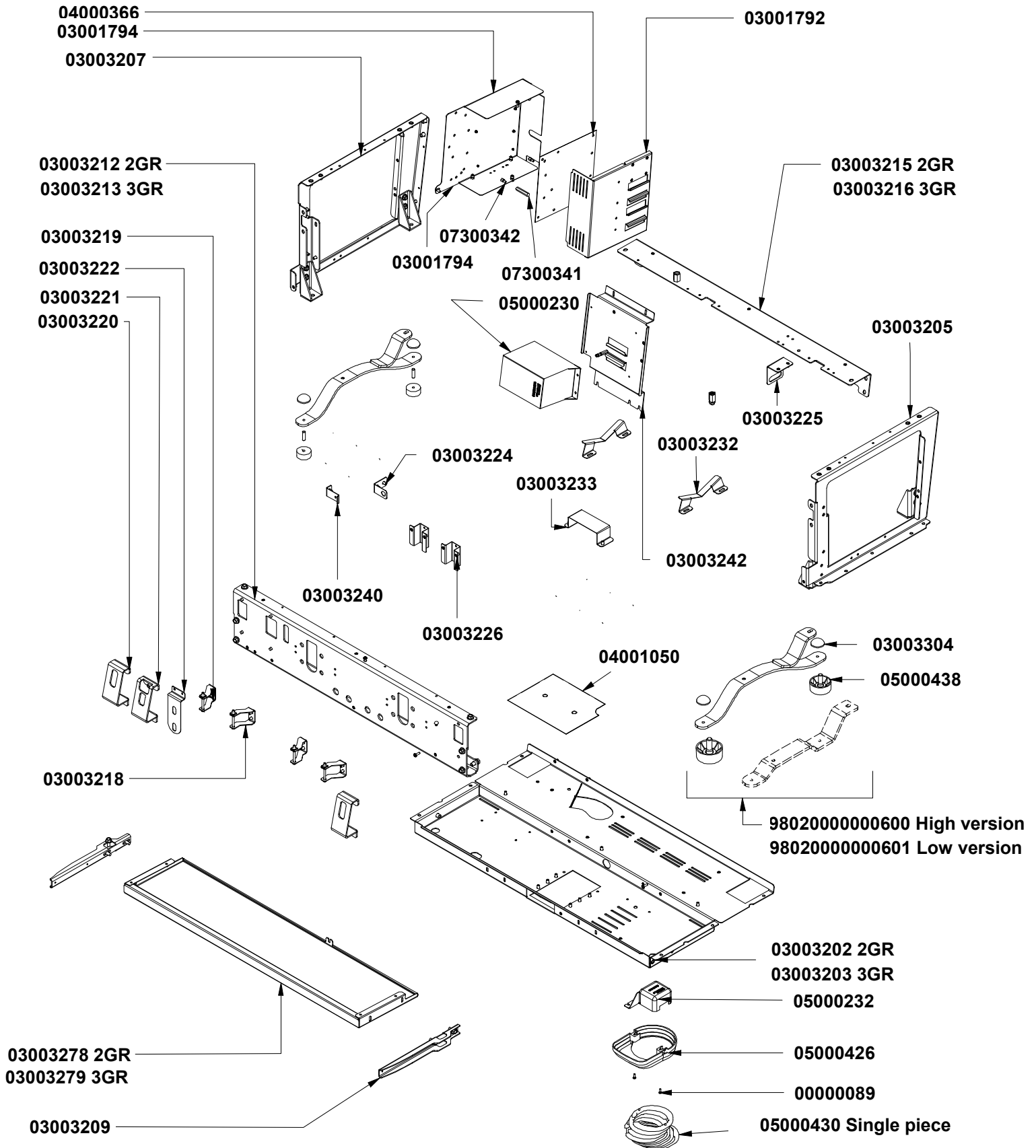
PARTS OLD HYDR. SYSTEM (TO 04-12-2014)

| COD. | DESCRIPTION | DESCRIZIONE | VAL. |
|-----------|--|---|------|
| 00300002 | BRASS NUT 1/4 D3 CH18 | DADO OT 1/4 SPESS.3 CH18 AGG. 22.07.96 | |
| R00300002 | KIT-BRASS NUT 1/4 D3 - 15Pcs | KIT-DADO OT 1/4 SPESS.3 - 15Pz | |
| 00300013 | BRASS NUT 3/8 GAS D4 CH20 ADD 22.07.96 | DADO OT 3/8 GAS SPESS.4 CH20 AGG.22.07.96 | |
| 02280032 | GASKET O RING 114 D15 EP 851 | GUARN. OR 114 D.15 EP 851 | |
| R02280032 | KIT-GASKET O RING 114 D15 EP - 25Pcs | KIT-GUARN. OR 114 D.15 EP - 25Pz | |
| 07300068 | FITTING L 3/8 M-M CYLIN | RACCORDO L 3/8 M-M CILIN. | |
| 07300091 | T FITTING MFM 1/4 CYLIN. | RACCORDO T 1/4 M-F-M CILIN. | |
| 07300116 | FITTING T 1/4 M-M-F OT-57 | RACCORDO T 1/4 M-M-F OT-57 | |
| R07300116 | KIT-FITTING T 1/4 M-M-F - 5Pcs | KIT-RACCORDO T 1/4 M-M-F - 5Pz | |
| 07300720 | L FITTING 1/4 M - FITTINGS | RACCORDO L 1/4 M - CALZAM. | |
| 11740001 | TEFLON PIPE 6/4 | TUBO TEFLON 6/4 | |
| 98003018 | RETURN VALVE 98 ES.16 | VALVOLA RITEGNO 98 ES.16 | |
| R98003018 | KIT-RETURN VALVE - 1Pcs | KIT-VALVOLA RITEGNO - 1Pz | |



PARTI TELAIO

FRAME PARTS



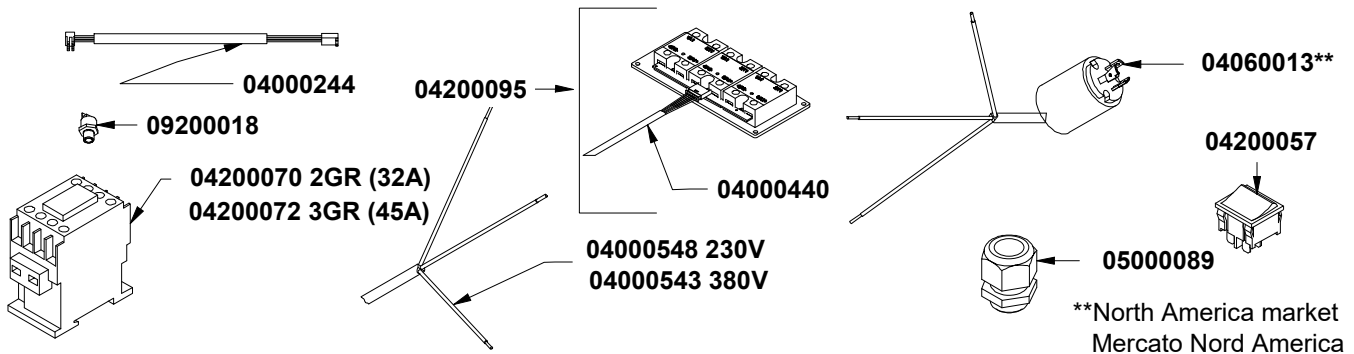
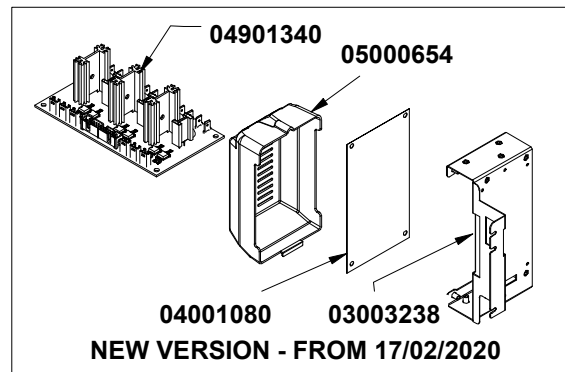
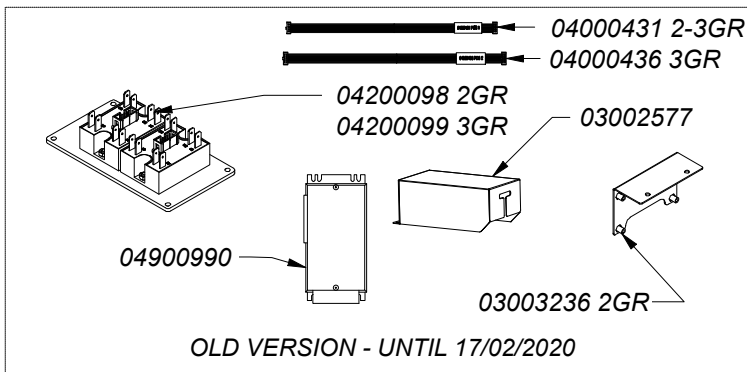
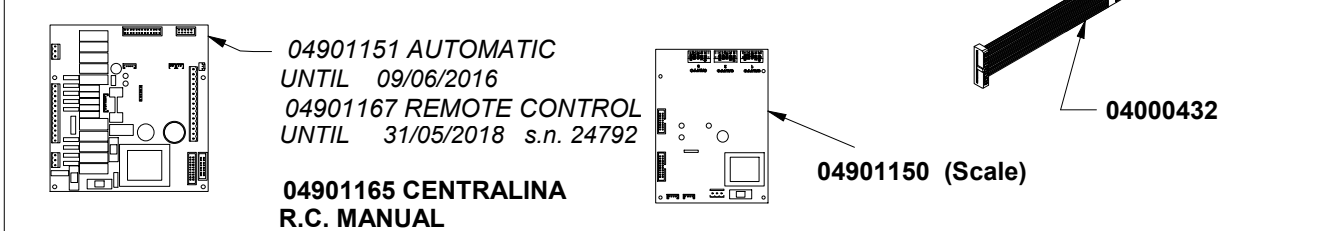
INSPIRED BY YOUR PASSION.



PARTI TELAIO

FRAME PARTS

| COD. | DESCRIPTION | DESCRIZIONE | VAL. |
|----------------|--|--|------|
| 00000089 | S/S CROSSHEAD CAP SCREW M4x12 DIN7985 | VITE INOX M4X12 TC TCR DIN7985 | |
| 03001792 | CONTROL BOARD COVER AURELIA | CHIUSURA CENTRALINA AURELIA | |
| 03001794 | CONTROL BOARD CASE AURELIA | CONTENITORE CENTRALINA AURELIA | |
| 03003202 | BASE 2GR VA388 | BASAM. PORTANTE 2GR. VA388 | |
| 03003203 | BASE 3GR VA388 | BASAM. PORTANTE 3GR. VA388 | |
| 03003205 | RIGHT SIDE FRAME VA388 | FIANCO TELAIO DX VA388 | |
| 03003207 | LEFT SIDE FRAME VA388 | FIANCO TELAIO SX VA388 | |
| 03003209 | DRAIN TRAY SUPPORT VA388 | LAMIERA GUIDA PIATTO VA388 | |
| 03003212 | GROUP SUPPORT SHEET 2GR VA388 | PARETE PORTAGRUPPI 2GR. VA388 | |
| 03003213 | GROUP SUPPORT 3GR VA388 | PARETE PORTAGRUPPI 3GR. VA388 | |
| 03003215 | UPPER BACK SIDE PLATE 2GR VA388 | LAMIERA SUPER. POSTERIORE 2GR. VA388 | |
| 03003216 | UPPER BACK SIDE PLATE 3GR VA388 | LAMIERA SUPER. POSTERIORE 3GR. VA388 | |
| 03003218 | RIGHT SUPPORT COVER GROUP VA388 | LAMIERA DX SUPP. COPRIGRUPPO VA388 | |
| 03003219 | LEFT SUPPORT COVER GROUP VA388 | LAMIERA SX SUPP. COPRIGRUPPO VA388 | |
| 03003220 | HOT WATER STEAM TAP SUPPORT VA388 | LAMIERA SUPP. RUBINETTO VAPORE VA388 | |
| 03003221 | HOT WATER WAND SUPPORT VA388 | LAMIERA SUPP. ATTACCO LANCIA ACQUA CALDA VA388 | |
| 03003222 | MANOMETER SUPPORT SHEET | LAMIERA SUPP. MANOMETRO VA388 | |
| 03003224 | DIGIT PRESSOSTAT SUPPORT SHEET VA388 | LAMIERA SUPP. PRESSOSTATO DIGIT VA388 | |
| 03003225 | SAFETY PRESSOSTAT SUPPORT VA388 | LAMIERA SUPP. PRESSOSTATO MECCANICO VA388 | |
| 03003226 | COFFEE BOILER SUPPORT VA388 | LAMIERA SUPP. CALDAIETTE VA388 | |
| 03003232 | BOILER SUPPORT SHEET | LAMIERA SUPP. CALDAIA VA388 | |
| 03003233 | PROTECTION SHEET CHARGE PIPE | LAMIERA PROTEZIONE TUBO CARICO | |
| 03003240 | FIXING BOARD BOX SHEET | LAMIERA FISS. SCATOLA CENTRAL. VA388 | |
| 03003242 | PLATE SUPPORT RELAY | LAMIERA SUPP. TELERUTTORE VA388 | |
| 03003278 | LOWER DRAIN TRAY PLATE 2 GR VA388 | LAMIERA SOTTOPIATTO 2GR. VA388 | |
| 03003279 | LOWER DRAIN TRAY PLATE 3 GR VA388 | LAMIERA SOTTOPIATTO 3GR. VA388 | |
| 03003304 | FEET COVER VA388 | BORCHIA PIEDE MACCHINA VA388 | |
| 04000366 | PVC SWITCHBOARD PROTECTION AURELIA | PROTEZIONE CENTRALINA AURELIA | |
| 04001050 | PVC PROTECTION TERMINAL BLOCK VA388 | PROTEZIONE PVC MORSETTIERA VA388 | |
| 05000230 | SWITCH COVER | COPRI TELERUTTORE | |
| 05000232 | SQUARE SWITCH COVER | COPRI INTERRUTTORE QUADRATO | |
| 05000426 | VERTEBRA RING SUPER. FEEDER VA388 | ANELLO VERTEBRA SUPER. CARICO/SCARICO VA388 | |
| 05000430 | VERTEBRA RING FEEDER VA388 | ANELLO VERTEBRA CARICO/SCARICO VA388 | |
| 05000438 | BICOMPONENT MACHINE FOOT D50 H24 M10MALE INSEF | PIEDE MACCHINA BICOMPONENTE D.50 H=24 INSERTO M1 | |
| 07300341 | CENTRAL LOCK VIP S/S NICKEL PLATE L=35 | PERNO BLOCC. CENTRAL. VIP INOXNICHELATO L=35 | |
| 07300342 | NICKEL PLATED CONTROL UNIT SUPPORT PIN | PERNO SUPPORTO CENTRAL. VIP NICHELATO | |
| 98020000000600 | RAISED FEET SET VA388 (1pc) | ASSIEME PIEDE ALTO VA388 (Q.TÀ 1PZ.) | |
| 98020000000601 | LOW FEET SET VA388 (1pc) | ASSIEME PIEDE BASSO VA388 (Q.TÀ 1PZ.) | |



| CODE | DESCRIPTION | DESCRIZIONE |
|------------|---------------------------------------|--------------------------------------|
| 04000340 | BRIDGE TRANS. POWER FROM 230V TO 380V | PONT. TRASF. ALIMENT. DA 230V A 380V |
| 04000343.S | ELECTRICAL WIRING SUPPLEMENT | SUPPLEMENTO CABLAGGIO ELETTRICO |
| 04000381 | CSA PRESSURE SWITCH WIRING RELAY | CABLAGGIO CSA PRESSOSTATO RELE' |
| 04000386 | CUP WARMER WIRING 2GR. | CABLAGGIO SCALDATAZZE 2GR. |
| 04000387 | CUP WARMER WIRING 3GR. | CABLAGGIO SCALDATAZZE 3GR. |
| 04000404 | SUPPL. FLOWMETER WIRING 2GR. | SUPPLEMENTO CABLAGGIO DOSATORI 2GR. |
| 04000405 | SUPPL. FLOWMETER WIRING 3GR. | SUPPLEMENTO CABLAGGIO DOSATORI 3GR. |
| 04000462 | ELECTRICAL WIRING 2GR. | CABLAGGIO ELETTRICO 2GR. |
| 04000463 | ELECTRICAL WIRING 3GR. | CABLAGGIO ELETTRICO 3GR. |
| 04001038 | FLAT CABLE CONNECTION UNIT | CAVO PIATTO COLLEGAMENTO CENTRALINE |
| 04001040 | POWER CABLE SCALE BOARD | CAVO ALIMENTAZIONE SCHEDA BILANCIA |



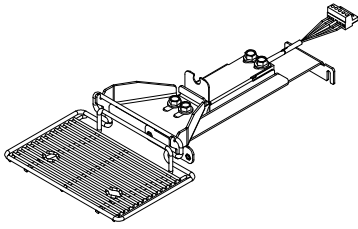
PARTI ELETTRICHE ED ELETTRONICHE

ELECTRIC AND ELECTRONIC PARTS

| COD. | DESCRIPTION | DESCRIZIONE | VAL. |
|------------|---|--|------|
| 03002577 | PLATE COVER GR COFFEE BOILER RELAY AURELIA II T3 | LAMIERA COPERTURA RELE' GR. CALDAIE CAFFE' AURELIA | |
| 03003236 | RELAY SUPPORT 2GR VA388 WITH SCALE | LAMIERA SUPP. RELE' PER 2GR. VA388 CON BILANCE | |
| 03003238 | SUPPORT SHEET BOILER BOARD | LAMIERA SUPP. CENTRAL. CALDAIE VA388 | |
| 04000244 | 3POLE CONN CABLE RAST 2.5/MOLEX L = 800mm for PSTY | CAVO COLL.3P RAST 2,5/MOLEX L.800MM | |
| 04000340 | BRIDGE TRANSFORMATION 380V TO 220V AURELIA-APPIA | PONTICELLO TRASF. ALIMENTAZ. DA 380V A 230V AURELIA | |
| 04000343.S | ADDL ELECTRIC WIRING AURELIA08-AURELIAII S 2-3-4GR | SUPPLEMENTO CABLAG.ELETTRICO AURELIA08-AURELIA | |
| 04000381 | AURELIA 09 CSA CABLING | CABLAGGIO AURELIA 09 CSA PRESSOSTATO-RELE' | |
| 04000386 | CUP WARMER CABLING 1 TEMP 2GR AURELIA II DIGIT-T3 | CABLAGGIO SCALDATAZZE 1 TEMP. 2GR. | |
| 04000387 | CUPWARM WIRING 1 TEMP 3GR AURELIA II DIGIT-T3 | CABLAGGIO SCALDATAZZE 1 TEMP 3GR. | |
| 04000404 | FLOWMETER ADDITIONAL WIRING 2GR | SUPPL. CABLAGGIO DOSATORI AURELIA II 2GR *KBB* | |
| 04000405 | FLOWMETER ADDITIONAL WIRING 3-4GR | SUPPL. CABLAGGIO DOSATORI AURELIA II 3-4GR *KBB* | |
| 04000431 | FLAT CABLE 10WAY CNTRL BOARD-BOILERS RELAY 2-3GR | CAVO 10 VIE COLL.RELE' CALDAIE- CENTRALINA 2-3GR | |
| 04000432 | FLAT CABLE 26WAY CNTRL BOARD - PID BOARD TFT | CAVO 26 VIE COLL. CENTR-CENTR CALDAIE | |
| R04000432 | KIT-FLAT CABLE 26WAY CNTRL BOARD - PID BOARD TFT | KIT-CAVO 26 VIE COLL. CENTR-CENTR CALDAIE "DISPLAY- | |
| 04000436 | FLAT CABLE 10WAY CONTROL BOARD-BOILERS SOLID RI | CAVO 10 VIE COLL.RELE' CALDAIE- CENTRALINA 3GR | |
| 04000440 | WIRING FOR BOILER SOLID STATE RELAY L=1900 | CABLAGGIO COLLEG. RELE' CALDAIA L=1900 | |
| R04000440 | KIT-WIRING FOR BOILER SOLID STATE RELAY L=1900 - 1P | KIT-CABLAGGIO COLLEG. RELE' CALDAIA L=1900 - 1Pz | |
| 04000462 | UNIFIED WIRING 2GR T3 MACHINES | CABLAGGIO UNIFICATO MACCHINE T3 2GR. | |
| 04000463 | UNIFIED WIRING 3GR T3 MACHINES | CABLAGGIO UNIFICATO MACCHINE T3 3GR. | |
| 04000543 | ELEC. CABLE 5x2,5 H07RN-F CB450/750V 2,5mt ICEL | CAVO ELETTR. 5X2,5 H07RN-F CB450/750V 2,5MT ICEL | |
| 04000548 | ELECTRICAL CABLE 3x6 H07RN-F CB L=2,5mt ICEL | CAVO ELETTR. 3X6 H07RN-F CB L=2,5MT -> ICEL <- | |
| 04001038 | 20WAY CABLE CNTRL BOARD-SCALE BOARD VA388 | CAVO 20 VIE CENTRALINA-CENTR. BILANCE VA388 | |
| 04001040 | POWER SUPPLY CABLE SCALE CONTROL BOARD VA388 | CAVO ALIMENTAZIONE CENTRALINA BILANCE VA388 | |
| 04001080 | MACHINE CONTROL UNIT PROTECTION T3 | PROTEZIONE CENTR. CONTROLLO MACCHINE T3 | |
| 04060013 | CABLE+PLUG AWG3x10 SJOOW UL/CSA 50A 250V NEMA6 | CAVO ALIM. AWG3X10 SJOOW 90°C UL/CSA 2MT | |
| 04200057 | DBL POWER BIPOLAR BIG SWITCH 10A UL 22X19 AURELIA | INTERRUT. ACCENSIONE BIPOL. GRANDE 10A UL 22X19 | |
| R04200057 | KIT-DBL POWER BIPOLAR BIG SWITCH 10A UL 22X19 - 15P | KIT-INTERRUT. ACCENSIONE BIPOL. GRANDE 10A UL 22x1- | |
| 04200070 | 4POLE CONTACTOR 32 A CE/UL COIL 230V | CONTATTORE QUADRIPOLARE 32A CE/UL BOBINA 230V | |
| 04200072 | 4POLE CONTACTOR 45A CE/UL COIL 230V | CONTATTORE QUADRIPOLARE 45A CE/UL BOBINA 230V | |
| 04200095 | STATIC RELAY 25A-250V 3pz ASSEMBLED + CONN CABLE | RELE' STATICO 25A -250V 3 PZ. ASSEMBLATI + CAVO COLL | |
| 04200098 | STATIC RELAY 25A 280V 1RELAY BOILERS ASSEM T3 2GR | RELE' STATICO 25A 280V 1relè ASSEMBLATI CALDAIETTE T | |
| 04200099 | STATIC RELAY 25A 280V 1RELAY BOILERS ASSEM T3 3GR | RELE' STATICO 25A 280V 2RELÈ ASSEMBLATI CALDAIETTE | |
| 04900990 | PROBES CONTROL BOARD AURELIA II T3 TFT | CENTR. GESTIONE SONDE AURELIA II T3 "DISPLAY A COLC | |
| 04901150 | SCALE CONTROL BOARD VA388 SEM+MANUAL | CENTRALINA BILANCE VA388 SEM + MANUAL | |
| 04901151 | CONTROL BOARD VA388 T3 SEM GRAV AVRVASCALE220V | CENTRALINA VA388 T3 SEM GRAV. AVRVASCALE220V * SO | |
| 04901152 | CONTROL BOARD VA388 T3 VOL AVR VAT3220V | CENTRALINA VA388 T3 VOL AVR VAT3220V * SOLO X RICAM | |
| 04901153 | CNTRL BOARD VA388 T3 VOL AVR VAT3220V REMOTE CN | CENTRALINA VA388 T3 VOL AVR VAT3220V REMOTE CONTF | |
| 04901165 | CENTRAL BOARD RC VA388 MANUAL | CENTRALINA RC VA388 MANUAL | |
| 04901167 | CENTRAL BOARD VA388 T3 SEM GRAV AVRVASCALE220V | CENTRALINA VA388 T3 SEM GRAV. AVRVASCALE220V REM | |
| 04901340 | CENTRAL BOARD T3 MACHINE CONTROL | CENTR. CONTROLLO MACCHINE T3 | |
| 05000089 | CABLE DUCT TEC-S M25 WITH NUT | PRESSACAVO TEC-S M25 CON DADO | |
| 05000654 | BOILER CONTROL UNIT CLOSING | CHIUSURA CENTRALINA CALDAIE | |
| 09200018 | PRESSURE TRANSDUCER R1 (W/O WIRE 04000244) | TRASD. DI PRES. R1 5V DCM3/8" GAS - OUT 0,5/4,5V | |
| R09200018 | KIT-PRESSURE TRANSDUCER R1 (W/O WIRE 04000244) - | KIT-TRASDUTTORE DI PRESSIONE (SENZA CAVETTO)- 1Pz | |
| 09200018 | PRESSURE TRANSDUCER R1 (W/O WIRE 04000244) | TRASD. DI PRES. R1 5V DCM3/8" GAS - OUT 0,5/4,5V | |
| R09200018 | KIT-PRESSURE TRANSDUCER R1 (W/O WIRE 04000244) - | KIT-TRASDUTTORE DI PRESSIONE (SENZA CAVETTO)- 1Pz | |



COMPONENTI BILANCIA
AUTOMATIC SCALE PARTS



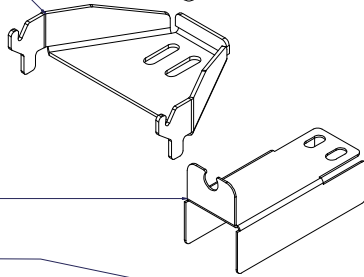
03003254



00000122



00000122



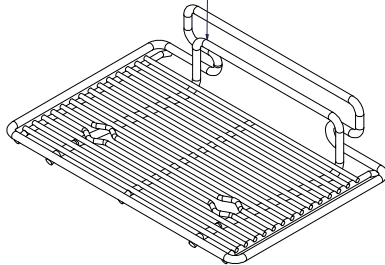
03003252

03003251

03003328



9816000000820



03003250

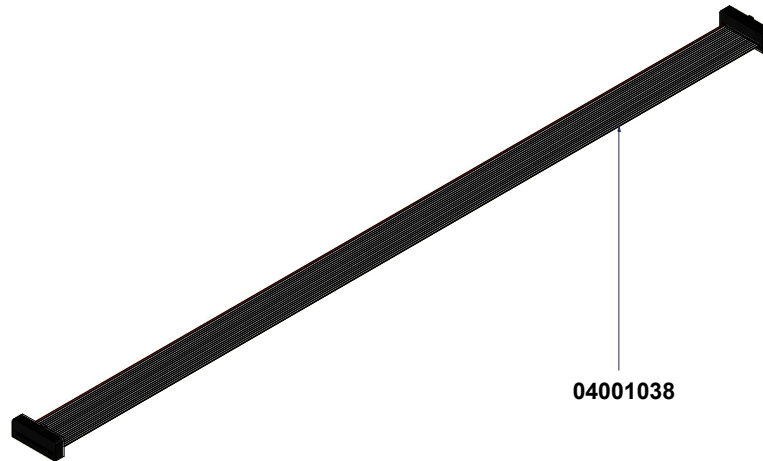
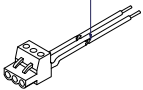


00000122



00300016

04001040



04001038



INSPIRED BY YOUR PASSION.



COMPONENTI BILANCIA

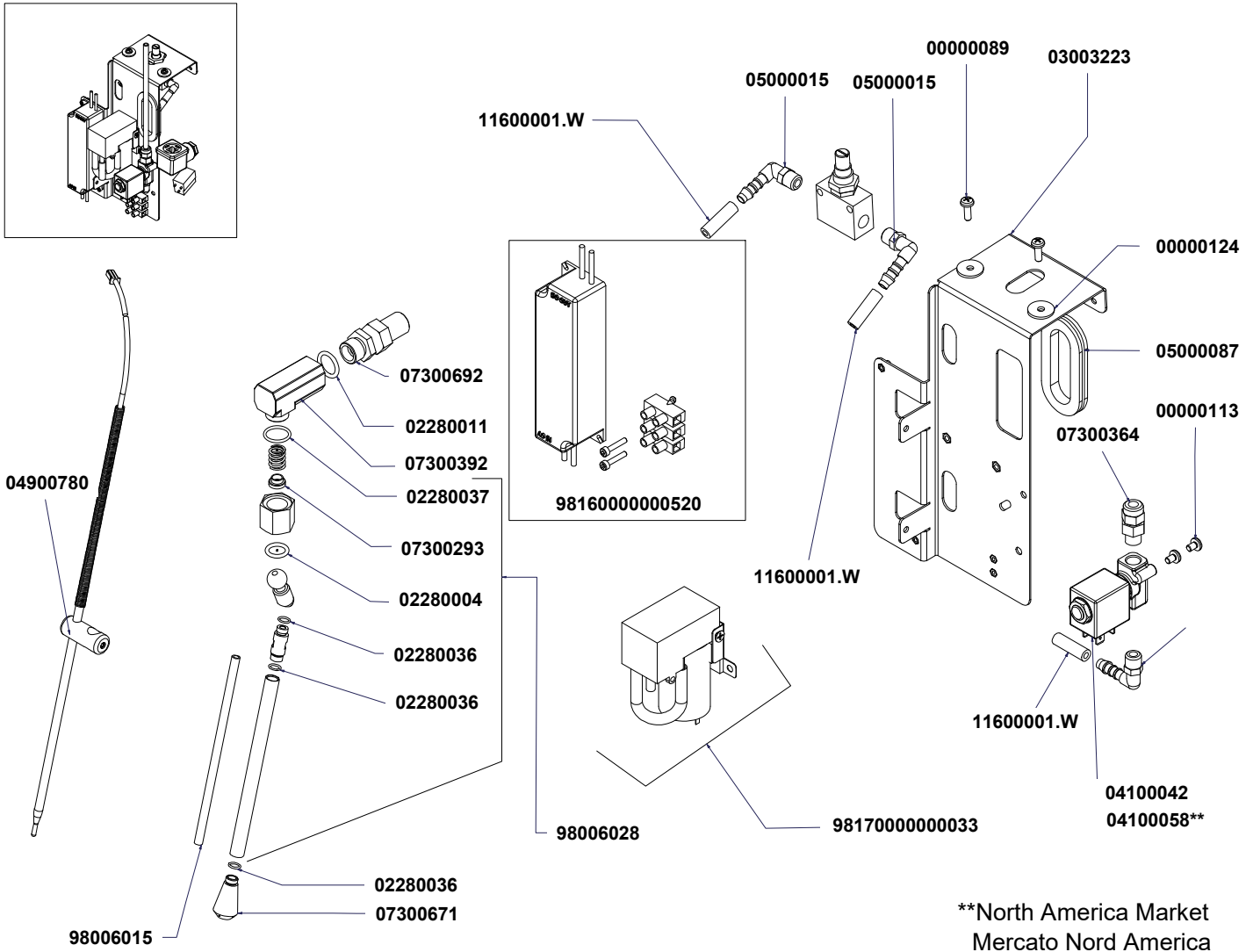
AUTOMATIC SCALE PARTS

| COD. | DESCRIPTION | DESCRIZIONE | VAL. |
|-----------------|--|--|------|
| 00000122 | WHITE GALV FLANGED KNURLED HEX CAP SCREW 8.8 M | VITE AQ 8.8 M6X12 TE FLANG. ZIGR. ZINC. BIANCO | |
| 00300016 | S/S GRUB SCREW M6X8 UNI 5923 | GRANO INOX M6X8 5923 | |
| 03003250 | SCALE SUPPORT VA388 | LAMIERA SUPPORTO BILANCIA VA388 | |
| 03003251 | SCALE EXTENT SUPPORT VA388 | LAMIERA SPESSORE SUPPORTO BILANCIA VA388 | |
| 03003252 | SCALE PROTECTION SUPPORT VA388 | LAMIERA PROTEZIONE BILANCIA VA388 | |
| 03003254 | SCALE GRILL SUPPORT VA388 | LAMIERA SUPPORTO RETINA BILANCIA VA388 | |
| 03003328 | SCALE GRILL VA388 | RETINA BILANCIA VA388 | |
| 04001038 | 20WAY CABLE CNTRL BOARD-SCALE BOARD VA388 | CAVO 20 VIE CENTRALINA-CENTR. BILANCE VA388 | |
| 04001040 | POWER SUPPLY CABLE SCALE CONTROL BOARD VA388 | CAVO ALIMENTAZIONE CENTRALINA BILANCE VA388 | |
| 98160000000820 | LOAD CELL SET W/ CONNECTOR VA388 | ASSIEME CELLA DI CARICO VA388 + CONNETTORE | |
| R98160000000820 | KIT-LOAD CELL SET W/ CONNECTOR - 1Pcs | KIT-ASSIEME CELLA DI CARICO + CONNETTORE - 1Pz | |

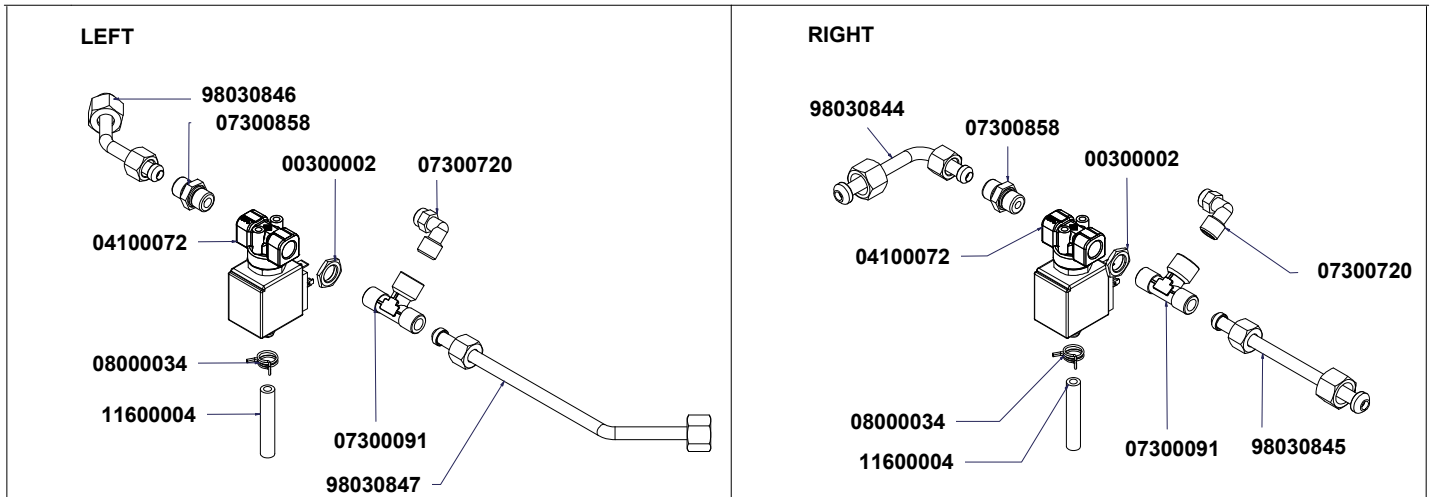


COMPONENTI EASY CREAM

EASY CREAM PARTS



**North America Market
Mercato Nord America



| CODE | DESCRIPTION | DESCRIZIONE |
|----------|---|----------------------------------|
| 04000445 | EASY CREAM ELECTRICAL WIRING SUPPLEMENT | SUPPLEMENTO CABLAGGIO EASY CREAM |



COMPONENTI EASY CREAM

EASY CREAM PARTS

| COD. | DESCRIPTION | DESCRIZIONE | VAL. |
|----------------|--|---|------|
| 00000089 | S/S CROSSHEAD CAP SCREW M4x12 DIN7985 | VITE INOX M4X12 TC TCR DIN7985 | |
| 00000113 | S/S CROS SHEAD CAP SCREW M4x6 7985 | VITE INOX M4X6 TC T.CR. 7985 | |
| 00000124 | GALV WASHER D4 3x16x1.5 | RONDELLA AQ D4.3X16X1.5 ZINC. | |
| 00300002 | BRASS NUT 1/4 D3 CH18 | DADO OT 1/4 SPESS.3 CH18 AGG. 22.07.96 | |
| R00300002 | KIT-BRASS NUT 1/4 D3 - 15Pcs | KIT-DADO OT 1/4 SPESS.3 - 15Pz | |
| 02280004 | GASKET O RING 115 D17 EP 856 x SWIVEL STEAM PIPE | GUARN. OR 115 D.17 EP856 SNODO LANCIA | |
| R02280004 | KIT-GASKET O RING 115 D17 EP 856 x STEAM PIPE - 55Pcs | KIT-GUARN. OR 115 D.17 EP856 SNODO LANCIA - 55Pz | |
| 02280011 | GASKET O RING R11 D19 EP 851 | GUARN. OR R11 D19 EP 851 | |
| R02280011 | KIT-GASKET O RING R11 D19 EP - 25Pcs | KIT-GUARN. OR R11 D19 EP - 25Pz | |
| 02280036 | O RING FOR STEAM WAND NOZZLE D6x1.2 EPDM70 500 P | GUARN. OR BECCO LANCIA VAP. DI 6X1.2 EPDM70 | |
| R02280036 | KIT-O RING FOR STEAM WAND NOZZLE D6x1.2 EPDM - 65Pcs | KIT-GUARN. OR x BECCO LANCIA VAP. D. 6x1.2 EPDM- 65Pz | |
| 02280037 | GASKET O RING JOINT LOCK 16x2 NBR70 | GUARN. OR CHIUSURA SNODO 16X2 NBR70 | |
| R02280037 | KIT-GASKET O RING JOINT LOCK 16x2 NBR - 45Pcs | KIT-GUARN. OR CHIUSURA SNODO 16x2 NBR - 45Pz | |
| 03003223 | COMPRESSOR SUPPORT PLATE VA358 | LAMIERA SUPPORTO COMPRESSORE VA388 | |
| 04000445 | LEFT WIRING EXT EASYCREAM FOR AURELIA II DIGIT-T3 | SUPPL. CABLAGGIO EASYCREAM SX MACCHINE DIGIT-T3 | |
| 04100042 | 2WAY SOLENOID 1/8-1/8 220-230V50/60Hz F2 CE TH1xM4 | E.V. NC 2VIE 1/8-1/8 220-230V 50/60HZ VITON F2 CE | |
| R04100042 | KIT-2WAY SOLENOID 1/8-1/8 220-230V50/60Hz F2 CE - 1Pcs | KIT-E.V. NC 2VIE 1/8-1/8 220-230V 50/60HZ VITON F2- 1Pz | |
| 04100058 | 2WAY SOLENOID 1/8-1/8 208-240V 60Hz F2 UL TH2xM3 | E.V. NC 2VIE 1/8-1/8 208-240V 60HZ VITON F2 UL PIEDINO FI | |
| 04100072 | 3WY SOLENOID 1/4-1/4 DISCHARGE 1/8 208/240V | E.V. NC 3VIE 1/4-1/4 SCAR.1/8 208/240V 50/60HZ F5 INOX | |
| 04900780 | PROBE PT1000 STEAMWAND TURBOCREAM D06 +SUP AD | SONDA PT1000 X LANCIA VAPORE "TURBO CREAM" D06 + S | |
| 05000015 | TUBE FASTENING WES 6R 1/8 | RACCORDO PORTATUBO WES 6R 1/8 | |
| 05000087 | CABLE DUCT PVC OVALE NERO OV7 | PASSACAPO PVC OVALE NERO OV7 | |
| 07300091 | T FITTING MFM 1/4 CYLIN. | RACCORDO T 1/4 M-F-M CILIN. | |
| 07300293 | ARTICULATED BUSHING AG.25.06.96 OT-57 | BUSSOLA SNODO AG.25.06.96 OT-57 | |
| R07300293 | KIT-ARTICULATED BUSHING - 15Pcs | KIT-BUSSOLA SNODO - 15Pz | |
| 07300364 | STRAIGHT FITTING 1/8 M CON. - FITTING.6 340 | RACCORDO DIR. 1/8 M CON. - CALZAM.6 340 | |
| R07300364 | KIT-STRAIGHT FITTING 1/8 M CON. - FITTING.6 340 - 8Pcs | KIT-RACCORDO DIR. 1/8 M CON. - CALZAM.6 - 8Pz | |
| 07300392 | HOT WATER TAP CONNECTION VA388 OT-57 | ATTACCO RUB. ACQUA CALDA VA388 OT-57 | |
| 07300671 | EASYCREAM NOZZLE 4HOLES TALENTO - AURELIA II | BECCO EASYCREAM 4 FORI TALENTO / AURELIA II | |
| 07300692 | SPRING HOLDER PLUG STEAM WAND ADONIS OT-57 | TAPPO PORTAMOLLA RUB.VAP. ADONIS OT-57 | |
| R07300692 | KIT-SPRING HOLDER PLUG STEAM WAND - 4Pcs | KIT-TAPPO PORTAMOLLA RUB.VAP. - 4Pz | |
| 07300720 | L FITTING 1/4 M - FITTINGS | RACCORDO L 1/4 M - CALZAM. | |
| 07300858 | FITTING 1/4M-1/4M OT-57 USA | RACCORDO 1/4M-1/4M OT-57 USA | |
| R07300858 | KIT-FITTING 1/4M-1/4M - 15Pcs | KIT-RACCORDO 1/4M-1/4M - 15Pz | |
| 08000034 | HOSE CLAMP D12 | FASCETTA STRINGITUBO D12 | |
| 11600001.W | WHITE SILICONE PIPE 4x7,5 60Sh(1mt=41gr) | TUBO SILICONE BIANCO4X7,5 60SH(1MT=41GR) | |
| 11600004 | SILICONE PIPE 5x9 60Sh PEROX | TUBO SILICONE 5X9 60SH PEROX BIANCO (1MT=50GR) | |
| 98006015 | INTERNAL TEFLON TUBE 4X6 STEAMWAND L147mm | TUBO TEFLON 4X6 INTERNO LANCIA VAPORE L=147 MM. | |
| 98006028 | SLOPING EASYCREAM STEAMWAND W/ SHORT NUT | LANCIA VAPORE "EASYCREAM" INCLINATA DADO BASSO | |
| 98030844 | BOILER- RIGHT SOL. VALVE EASYCREAM PIPE | TUBO CALDAIA-E.V. EASY CREAM DX VA388 2-3 GR. DOPPIA | |
| 98030845 | EASYCREAM SOL. VALVE-RIGHT WAND | TUBO E.V. EASY CREAM - LANCIA DX VA388 DOPPIA COPP | |
| 98030846 | BOILER-LEFT EASYCREAM VLVE TUBE VA388 CURVEDFL | TUBO CALDAIA-E.V. EASY CREAM SX VA388 DOPPIA COPP | |
| 98030847 | EASYCREAM VALVE-LEFT WAND TUBE VA388 CURVED FL | TUBO E.V. EASY CREAM - LANCIA SX VA388 DOPPIA COPP | |
| 98160000000520 | TRANSFOR+WIRING SET AURELIA II- ADONIS W/EASYCRE | ASS. TRAF+CABLAGGIO AURELIA II- ADONIS CON EASY CR | |
| 98170000000033 | MICROCOMPRESSOR + SUPPORT SET TALENTO | ASSIEME SUPPORTO + MICROCOMPRESSORE TALENTO | |

Victoria Arduino

A decorative horizontal line with a central downward-pointing arrowhead, positioned below the brand name.

INSPIRED BY YOUR PASSION.

Simonelli Group s.p.a.
Via E. Betti, 1 - 62020 Belforte
del Chienti - (MC) Italy
Tel. +39 0733.950243 - Fax +39
0733.850247
e-mail: info@victoriaarduino.com
com www.victoriaarduino.com