

SPARE PARTS BOOK

ATOM
SPECIAL EDITION



05/05/2021

Victoria Arduino

INSPIRED BY YOUR PASSION.



INSPIRED BY YOUR PASSION.

- T. 01 **GRINDER BODY**
CORPO MACINADOSATORE

- T. 02 **ENGINE + COFFEE SLIDE + FORK**
MOTORE+SCIVOLO CAFFE'+FORCELLA

» LEGEND :

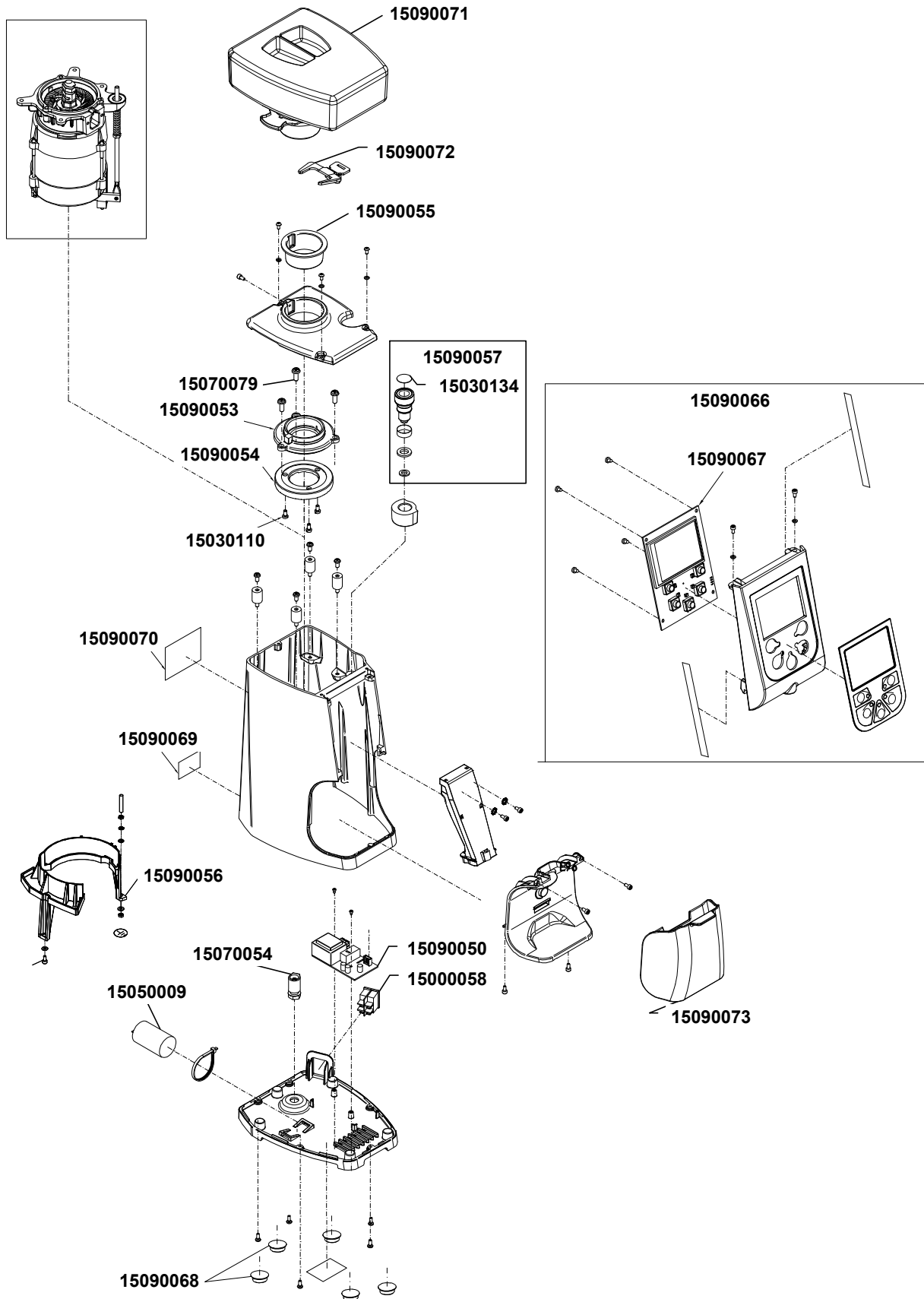
THE CODES WRITTEN IN BOLD REFER TO THE COMPONENTS
EMPLOYED CURRENTLY.

THE CODES USED BEFORE ARE WRITTEN IN CURSIVE WITH INDICATED,
ON THE SIDE, THE END OF VALIDITY DATE.

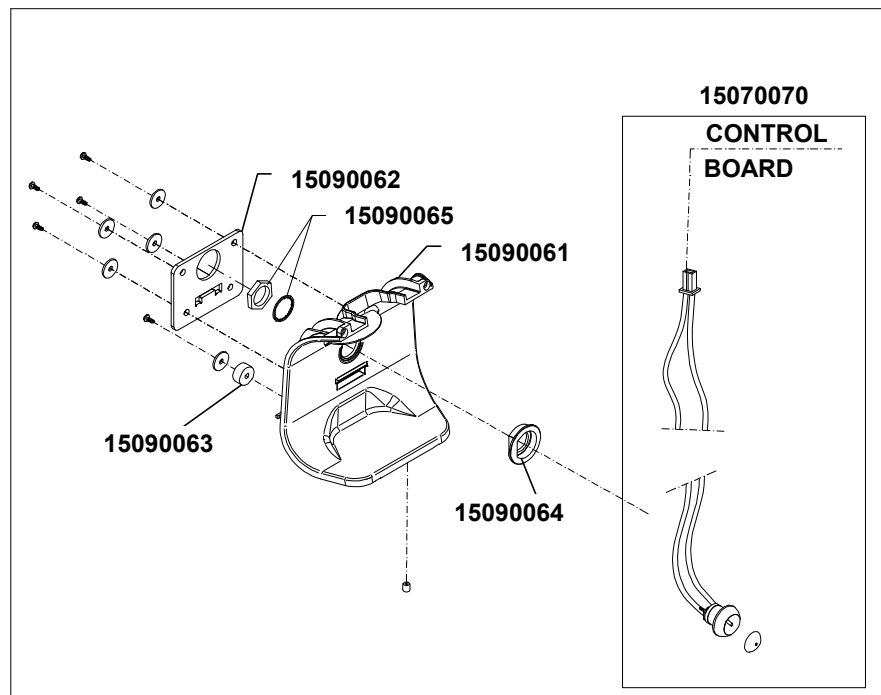
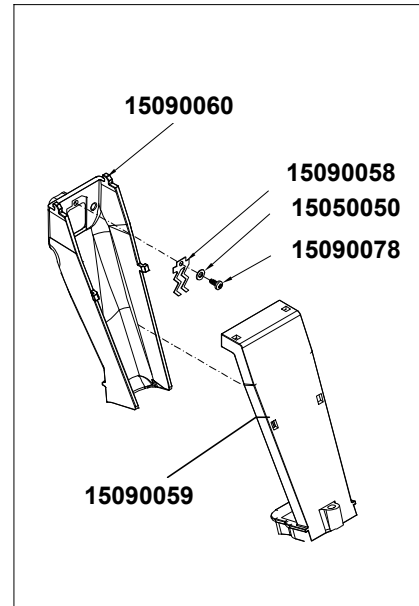
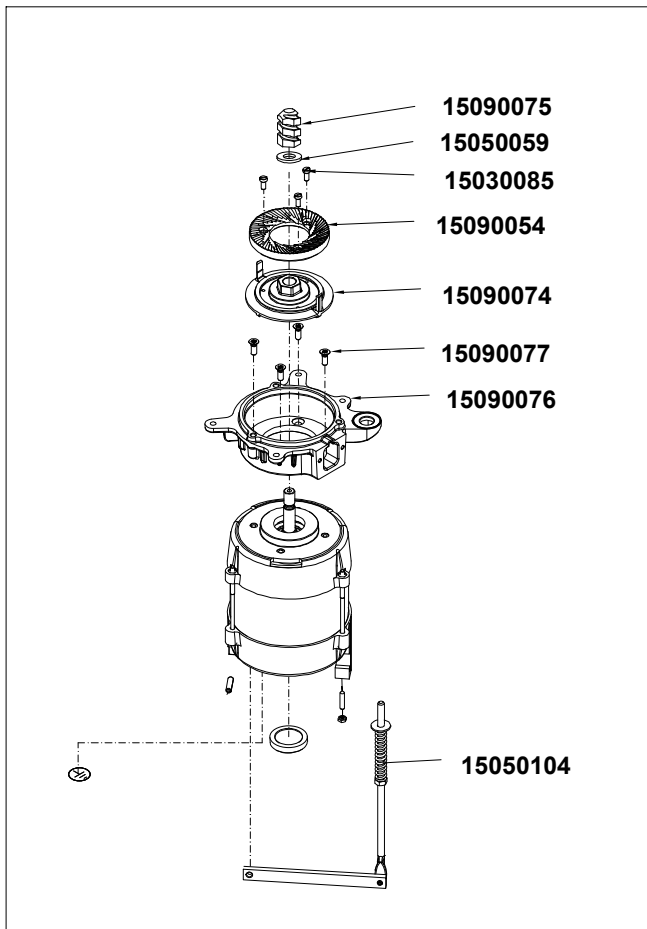
EXAMPLE:

03001531 - 01/09/2007

03001531



COD.	DESCRIPTION	DESCRIZIONE	VAL.
15000058	SWITCH MONOF.L. 1011.0001	INTERRUTTORE MONOF.L. 1011.0001	
15030110	S/S SCREW M4x8 CUT HEAD 6060.0032	VITE INOX M4X8 TESTA TAGLIO 6060.0032	
15030134	HANDLE ADHESIVE LABEL GRINDER REGISTER E80	ETICHETTA REGOLAZ. MACINATURA SU POMELLO E80	
15050009	CAPACITOR 10microF x 04500031	CONDENS. 10MICROF X 04500031	
15070054	CABLE CLAMP FOR THE PANEL MM. 13 6040.0023	FERMACAVO DA PANNELLO MM. 13 6040.0023	
15070079	SCREW AQ M6x16 TC T.CR. GALV 6060.0022	VITE AQ M6X16 TC T.CR. ZINC 6060.0022	
15090050	POWER SUPPLY BOARD 220V	SCHEDA ALIMENT. 220V ATOM v.16/05+RRN 2580.0220	
15090053	SUPERIOR BURR HOLDER 65mm	PORTAMACINE SUP.65mm ATOM AG/05 2581.0005-65	
15090054	FLAT BURR 65mm	MACINA PIANA mm.65 MAC64ITA	
15090055	GASKET HOPPER	GUARNIZIONE CAMPANA x ATOM 2580.0035A0R03-XXG	
15090056	VERTEBRA ENGINE BLOCK	VERTEBRA BLOCCO MOTORE x ATOM 2580.0126	
15090057	COMPLETE KNOB GROUP	GRUPPO POMELLO ATOM COMPLETO 2580.1900(PH)	
15090066	COMPLETE GROUP PANEL	GR. PANN. COMPLETO ATOM E1 PRIMA CROMO 110V/220	
15090067	DISPLAY BOARD	SCHEDA DISPLAY NEW LOGO x ATOM SPECIALTY	
15090068	FOOTH	PIEDINO x ATOM SPECIALTY/PRO 6040.0101	
15090069	LABEL "BY EUREKA" - E1 PRIMA	ETICHETTA "BY EUREKA" - E1 PRIMA	
15090070	LABEL "SPECIAL EDITION E1 PRIMA"	ETICHETTA "SPECIAL EDITION E1 PRIMA"	
15090071	COMPLETE HOPPER	CAMPANA completa ATOM confezionata 2580.1000M	
15090072	ADJUSTABLE FORK GROUP	GR. FORCELLA REGOLABILE ATOM 2580.1800M(PH)	
15090073	CONTAINER FOR FILTER	CONTENITORE PER FILTRO 2580.0500M	



COD.	DESCRIPTION	DESCRIZIONE	VAL.
15090075	NUT-STOP BURR HOLDER	DADO FERMA PORTAMACINE 2501.0003-R04	
15090078	PLASTIC SCREW 3x7	VITE 3x7 PLASTICA	
15030085	S/S SCREW M4x10 TCT(-) CUTTING HEAD 6060.0002	VITE INOX M4X10 TCT(-) TESTA TAGLIO 6060.0002 FISS. M	
15050050	WASHER D.3 FLAT 6061.0021	RONDELLA D.3 PIANA 6061.0021	
15050059	S/S WASHER M10 10,5x21 UNI6592 6061.0001	RONDELLA INOX M10 10,5X21 UNI6592 6061.0001	
15050104	GRINDING REGULATOR SPRING ROD 6002.7360	MOLLA TIRANTE REG. MACINATURA 6002.7360	
15070070	KIT MICRO (1000.0007 + CABLE73 +6062.0018-007)	KIT MICRO (1000.0007 + CAV73 +6062.0018-007) 4402.8000	
15090054	FLAT BURR 65mm	MACINA PIANA mm.65 MAC64ITA	
15090058	FLAP METAL 0,10mm	FLAP METAL x ATOM 0,10mm ver.1802 2580.0027V1802	
15090059	COVER FOR CHUTE	COPERCHIO x SCIVOLO ATOM SPECIALTY 2581.0055v200	
15090060	CHUTE	SCIVOLO x ATOM SPECIALTY 2581.0084	
15090061	DISPENSING INSERT	INSERTO EROGAZIONE x ATOM 2580.0023	
15090062	PLATE FORK LOCKING	PIASTRA DENTE BLOCCAGGIO FORCELLA-ATOM 2580.00	
15090063	MAGNET D=16X16XH4	MAGNETE dia.16x6xH4 x ATOM 2580.0036	
15090064	MICROSWITCH ADAPTOR	ADATTATORE x MICROSWITCH (1000.0009) 2580.0108	
15090065	NUT+WASHER KIT	KIT DADO+ROSETTA ANTISV PER 1000.0007 6062.0018-0	
15090074	INFERIOR BURR HOLDER 65AG/02	PORTAMACINE INFERIORE 65	
15090076	HEAD INFERIOR BURR HOLDER	TESTINA PORT. MAC. INF	
15090077	SCREW 5X14 TSPC	VITE 5X14 TSPC SV. PIANA T.C. INOX	



INSPIRED BY YOUR PASSION.

Simonelli Group s.p.a.
Via E. Betti, 1 - 62020 Belforte
del Chienti - (MC) Italy
Tel. +39 0733.950243 - Fax +39
0733.850247
e-mail: info@victoriaarduino.com
com www.victoriaarduino.com