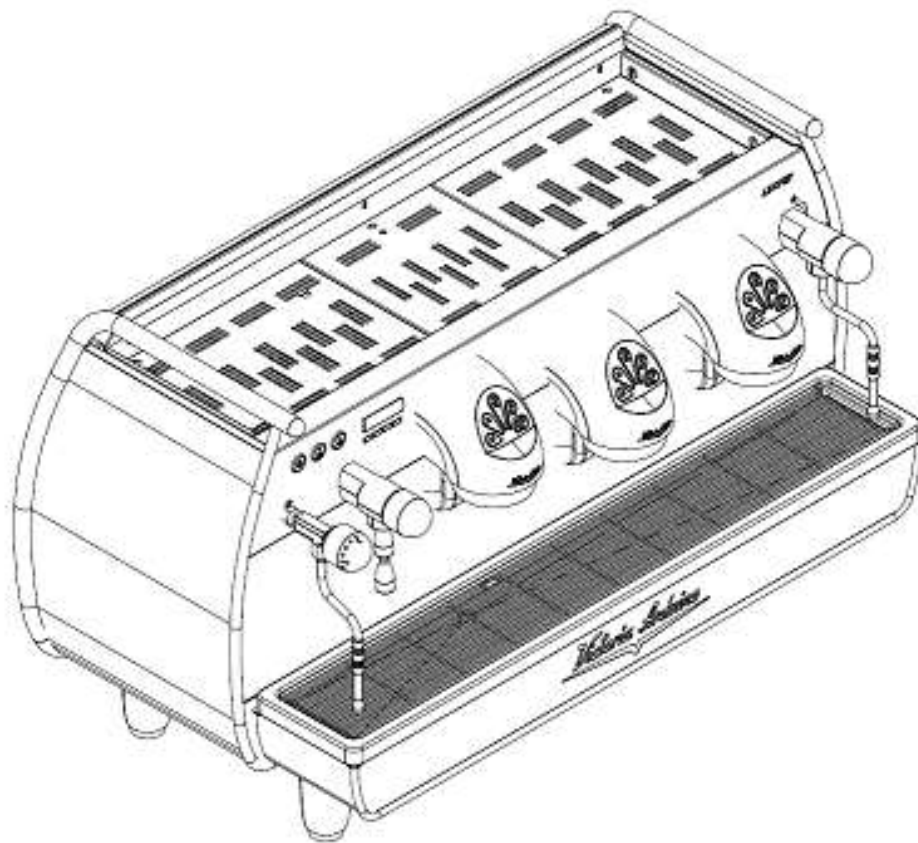


SPARE PARTS BOOK

ADONIS



STYLE&CORE VERSION

22/02/2022

Victoria Arduino

INSPIRED BY YOUR PASSION.



INSPIRED BY YOUR PASSION.

T.01	CABINET PARTS COMPONENTI GRUPPO CARENA
T.02	CONTROL PANEL PARTS COMPONENTI INVOLUCRO COMANDI
T.03	POURING GROUP PARTS COMPONENTI GRUPPO EROGAZIONE
T.04	STEAM TAP PARTS COMPONENTI RUBINETTI VAPORE
T.04 bis	EASYCREAM PARTS COMPONENTI EASYCREAM
T.05	HOT WATER PARTS COMPONENTI ACQUA CALDA
T.06	HYDRAULIC GROUP PARTS COMPONENTI GRUPPO IDRAULICO
T.06 - bis	FLOWMETERS COMPONENTS COMPONENTI DOSATORI
T.07	PUMP GROUP PARTS COMPONENTI GRUPPO POMPA
T.08	BOILER PARTS COMPONENTI CALDAIA
T.09	FRAME PARTS COMPONENTI TELAIO

» LEGEND :

THE CODES WRITTEN IN BOLD REFER TO THE COMPONENTS
EMPLOYED CURRENTLY.

THE CODES USED BEFORE ARE WRITTEN IN CORSIVE WITH INDICATED,
ON THE SIDE, THE END OF VALIDITY DATE.

EXAMPLE:

03001531 - 01/09/2007

03001531



INSPIRED BY YOUR PASSION.

T.10 **ELECTRONIC & ELECTRICAL PARTS**
COMP. ELETTRICI ED ELETTRONICI

» LEGEND :

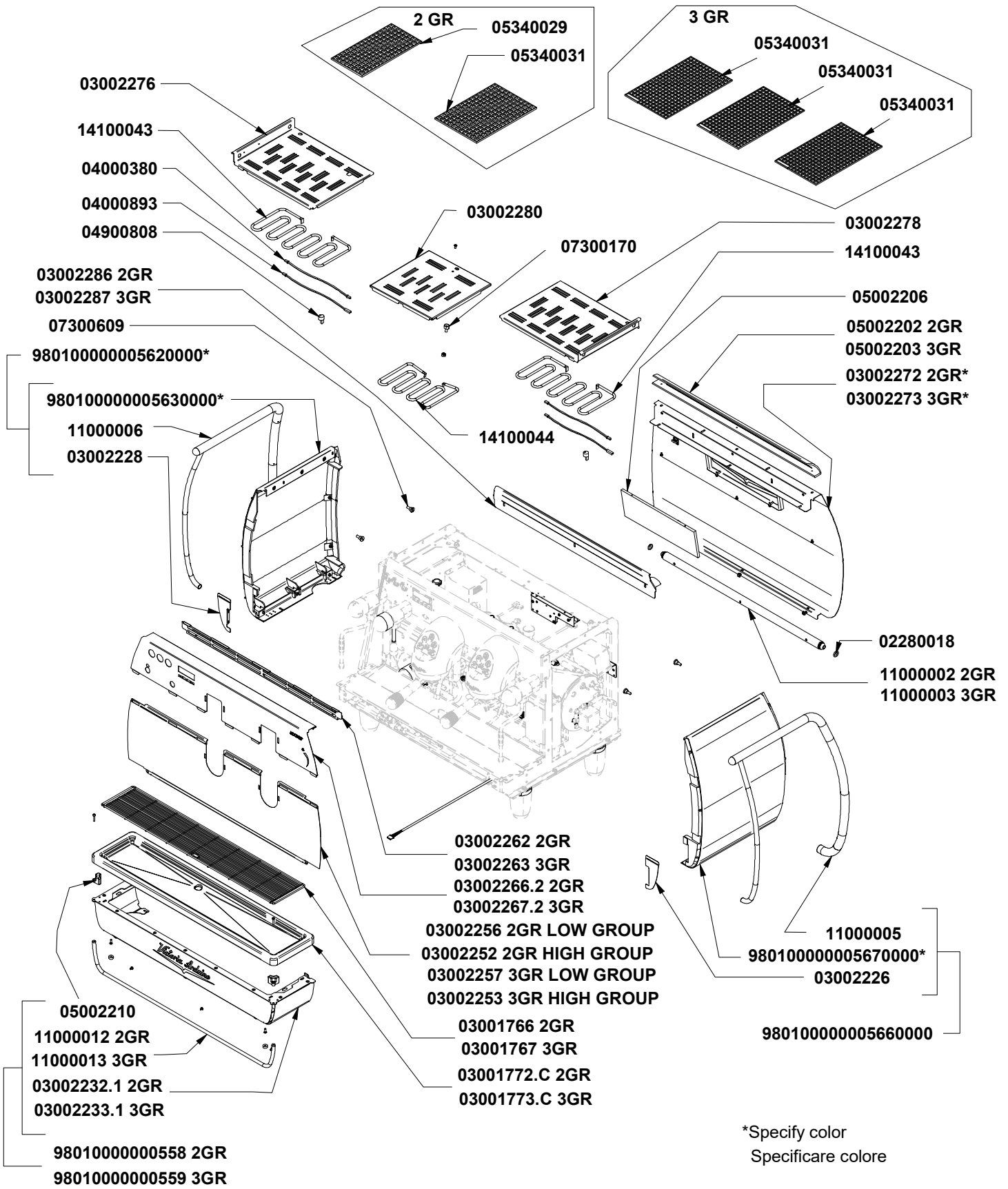
THE CODES WRITTEN IN BOLD REFER TO THE COMPONENTS
EMPLOYED CURRENTLY.

THE CODES USED BEFORE ARE WRITTEN IN CURSIVE WITH INDICATED,
ON THE SIDE, THE END OF VALIDITY DATE.

EXAMPLE:

03001531 - 01/09/2007

03001531



ADONIS

STYLE&CORE

STYLE&CORE

COMPONENTI GRUPPO CARENA

CABINET PARTS

COD.	DESCRIPTION	DESCRIZIONE	VAL.
03002266.2	SUPERIOR FRONT PLATE 2GR ADONIS LEVA STEAM TAP	LAMIERA FRONT. SUP. 2GR ADONIS RUBINETTI A LEVA	
03002267.2	SUPERIOR FRONT PLATE ADONIS 3 GR - LEVA STEAM TA	LAMIERA FRONT. SUP. 3GR ADONIS RUBINETTI A LEVA	
02280018	RED SILICON GASKET O RING Sh70	GUARN. OR R11 D19 SILICONE ROSSO Sh70	
03001766	WORKTOP NET 2 GR	RETINA PIANO LAVORO 2 GR.	
R03001766	KIT-WORKTOP NET 2 GR - 1Pcs	KIT-RETINA PIANO LAVORO 2 GR. - 1Pz	
03001767	WORKTOP NET 3 GR	RETINA PIANO LAVORO 3 GR.	
R03001767	KIT-WORKTOP NET 3 GR-1Pcs	KIT -RETINA PIANO LAVORO 3 GR.-1PZ	
03001772.C	DRAIN TRAY 2 GR POLISHED BORDER	PIATTO RACCOGLIACQUA 2 GR. CON BORDO LUCIDO	
03001773.C	DRAIN TRAY 3 GR POLISHED BORDER	PIATTO RACCOGLIACQUA 3 GR. CON BORDO LUCIDO	
03002226	S/S RIGHT FRONT PLATE INSERT ADONIS	LAMIERA FRONTALE INSERTO DX ADONIS INOX	
03002228	S/S LEFT FRONT PLATE INSERT ADONIS	LAMIERA FRONTALE INSERTO SX ADONIS INOX	
03002232.1	S/S FRONTAL PERIMETER PLATE 2 GR+ SIDES + TRAY AC	LAMIERE CONTORNO ANTER. 2 GR.+FIANCHI + SOTTOPIA	
03002233.1	S/S FRONTAL PERIMETER PLATE 3 GR + SIDES + TRAY AI	LAMIERA CONTORNO ANTER. 3 GR +FIANCHI + SOTTOPIA	
03002252	S/S FRONT PLATE 2 RAISED GR ADONIS	LAMIERA FRONTALE 2 GR ALTI ADONIS INOX	
03002253	S/S FRONT PLATE 3 RAISED GR ADONIS	LAMIERA FRONTALE 3 GR ALTI ADONIS INOX	
03002256	S/S FRONT PLATE 2 LOW GR ADONIS	LAMIERA FRONTALE 2 GR BASSI ADONIS INOX	
03002257	S/S FRONT PLATE 3 LOW GR ADONIS	LAMIERA FRONTALE 3 GR BASSI ADONIS INOX	
03002262	S/S FRONT PLATE LOCK 2 GR ADONIS	LAMIERA FRONTALE 2 G. CHIUSURAADONIS INOX	
03002263	S/S FRONT PLATE LOCK 3 GR ADONIS	LAMIERA FRONTALE 3 G. CHIUSURAADONIS INOX	
03002272.1	S/S BACK PLATE 2 GR + WRITING SUPPORT	LAMIERA RETRO 2 GR. INOX + SUPPORTO SCRITTA ADONIS	
03002272.B	S/S BACK PLATE 2 GR ADONIS PEARL WHITE	LAMIERA RETRO 2 GR. INOX ADONIS BIANCO PERLA	
03002272.R	S/S BACK PLATE 2 GR ADONIS RED VICTORIA	LAMIERA RETRO 2 GR. INOX ADONIS ROSSO VICTORIA	
03002273.1	S/S BACK PLATE 3 GR + WRITING SUPPORT	LAMIERA RETRO 3 GR. INOX + SUPPORTO SCRITTA ADONIS	
03002273.B	S/S BACK PLATE 3 GR ADONIS PEARL WHITE	LAMIERA RETRO 3 GR. INOX ADONIS BIANCO PERLA	
03002273.R	S/S BACK PLATE 3 GR ADONIS RED VICTORIA	LAMIERA RETRO 3 GR. INOX ADONIS ROSSO VICTORIA	
03002276	NET TRAY LEFT CUP HOLDER ADONIS 2/3 GR	RETINA PORTATAZZE SX ADONIS 2/3 GR.	
03002278	NET TRAY RIGHT CUP HOLDER ADONIS 2/3 GR	RETINA PORTATAZZE DX ADONIS 2/3 GR.	
03002280	NET TRAY CENTRAL CUP HOLDER ADONIS 3 GR	RETINA PORTATAZZE CENTRALE ADONIS 3 GR.	
03002286	LUMINOUS S/S PANEL PROTECTION 2 GR ADONIS	LAMIERA PROTEZIONE PANNELLO LUMINOSO INOX 2 GR.A	
03002287	LUMINOUS S/S PANEL PROTECTION 3 GR ADONIS	LAMIERA PROTEZIONE PANNELLO LUMINOSO INOX 3 GR.A	
04000380	CUPWARMER SENSOR CONN CABLE AURELIA L=100MOD	CAVO COLL. SONDA SCALDATAZZE AURELIA L=100cm MOD	
04000893	EXTEN CABLE L=600 2WAY CONN AMP TYP MODE II M-F	CAVO PROLUNGA L=600 CONNETTORI 2VIE TIPO AMP MOD	
04900808	CUPWARMER TEMPERATURE PROBE AURELIA	SONDA TEMPERATURA SCALDATAZZE AURELIA	
R04900808	KIT-CUPWARMER TEMPERATURE PROBE - 2Pcs	KIT-SONDA TEMPERATURA SCALDATAZZE - 2Pz	
05002202	SUPERIOR LIGHTED BACK PANEL 2GR ADONIS	PANNELLO LUMINOSO SUP. RETRO 2 GR. ADONIS	
05002203	SUPERIOR LIGHTED BACK PANEL 3GR ADONIS	PANNELLO LUMINOSO SUP. RETRO 3 GR. ADONIS	
05002206	LIGHTED WRITING VICTORIA ARDUINO W/ PANEL	SCRITTA LUMINOSA "VICTORIA ARDUINO" CON PANNELLO	
05002210	FLAT ANGULAR DRIP TRAY SUPPORT	SUPPORTO ANGOLARE PIATTO RACCOGLIACQUA	
05340029	NYLON GRILL 230X300 ADONIS	GRIGLIA NYLON 230x300 ADONIS (RICAVATA DA05340031)	
05340031	NYLON GRILL 370x230	GRIGLIA MODULO 370x230	
R05340031	KIT-NYLON GRILL 370x230 - 2Pcs	KIT-GRIGLIA MODULO 370x230 - 2Pz	
07300170	FRONTAL FASTENING EXTENSION ADD.22.07.92	PROLUNGA FISSAGGIO FRONTALE AGG.22.07.92	
07300609	SIDE PANEL FIXING HINGE M6 L.7 LOW OT-58	PERNO FISSAGGIO CARENA LATER. M6 L.7 BASSO OT-58	
11000002	INFERIOR REAR TUBE 2 GROUPS ADONIS	TUBO POST INF CARENA 2 GRUPPI ADONIS	
11000003	INFERIOR REAR TUBE 3 GROUPS ADONIS	TUBO POST INF CARENA 3 GRUPPI ADONIS	
11000005	RIGHT TUBE FRAME ADONIS	TUBO DX CARENA ADONIS	
11000006	LEFT TUBE FRAME ADONIS	TUBO SX CARENA ADONIS	



INSPIRED BY YOUR PASSION.

T.OI

ADONIS

STYLE&CORE

STYLE&CORE

COMPONENTI GRUPPO CARENA

CABINET PARTS

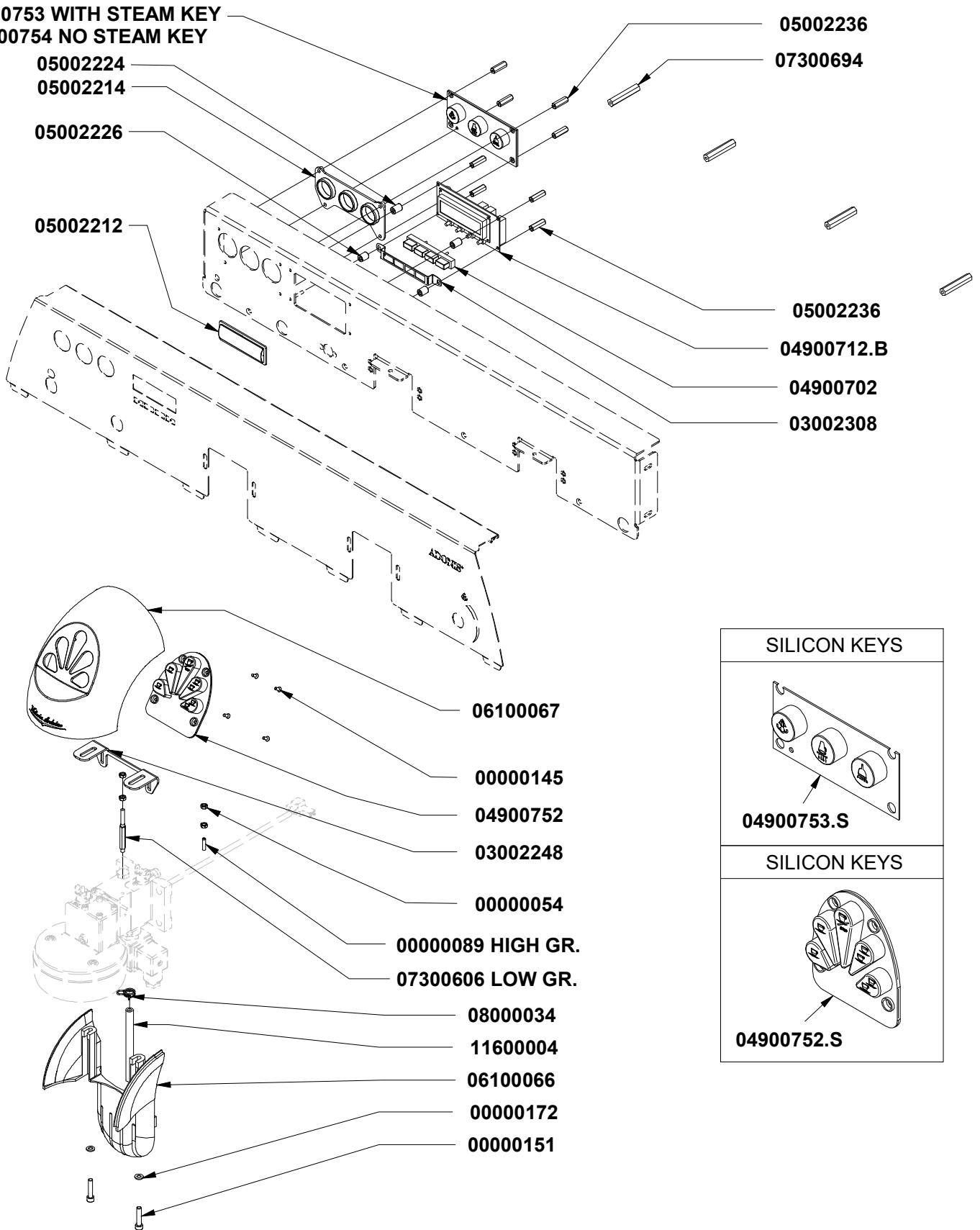
COD.	DESCRIPTION	DESCRIZIONE	VAL.
11000012	FRONTAL INFERIOR TUBE D10 2GROUPS ADONIS	TUBO ANT. INF. D.10 2 GRUPPI ADONIS	
11000013	FRONTAL INFERIOR TUBE D10 3GROUPS ADONIS	TUBO ANT. INF. D.10 3 GRUPPI ADONIS	
14100043	CUPWARMER HEATING ELEMENT L=303 150W 230V	RESISTENZA SCALDATAZZE L=303 150W 230V	
14100044	CUPWARMER HEATING ELEMENT L=188 100W 230V	RESISTENZA SCALDATAZZE L=188 100W 230V	
98010000000558	FLAT PERIMETER SET 2GR ADONIS	ASSIEME CONTORNO PIATTO 2 GR. ADONIS	
98010000000559	FLAT PERIMETER SET 3GR ADONIS	ASSIEME CONTORNO PIATTO 3 GR. ADONIS	
980100000005620001	LEFT SIDE PANEL SET STEELUX	ASS. FIANCO SX ADONIS STEELUX	
980100000005620002	LEFT SIDE PANEL SET WHITE	ASS. FIANCO SX ADONIS BIANCO	
980100000005620003	LEFT SIDE PANEL SET MATT BLACK	ASS. FIANCO SX ADONIS NERO OPACO	
980100000005620004	LEFT SIDE PANEL SET RED	ASS. FIANCO SX ADONIS ROSSO	
980100000005630001	LEFT SIDE PANEL WITH SUPPORT PAINTED WHITE	FIANCO SX CON RINFORZO BIANCO	
980100000005630002	LEFT SIDE PANEL WITH SUPPORT PAINTED MATT BLACK	FIANCO SX CON RINFORZO NERO OPACO	
980100000005630003	LEFT SIDE PANEL WITH SUPPORT PAINTED RED	FIANCO SX CON RINFORZO ROSSO	
980100000005660001	RIGHT SIDE PANEL SET STEELUX	ASS. FIANCO DX ADONIS STEELUX	
980100000005660002	RIGHT SIDE PANEL SET WHITE	ASS. FIANCO DX ADONIS BIANCO	
980100000005660003	RIGHT SIDE PANEL SET MATT BLACK	ASS. FIANCO DX ADONIS NERO OPACO	
980100000005660004	RIGHT SIDE PANEL SET RED	ASS. FIANCO DX ADONIS ROSSO	
980100000005670001	RIGHT SIDE PANEL WITH SUPPORT PAINTED WHITE	FIANCO DX CON RINFORZO BIANCO	
980100000005670002	RIGHT SIDE PANEL WITH SUPPORT PAINTED MATT BLAC	FIANCO DX CON RINFORZO NERO OPACO	
980100000005670003	RIGHT SIDE PANEL WITH SUPPORT PAINTED RED	FIANCO DX CON RINFORZO ROSSO	



INSPIRED BY YOUR PASSION.

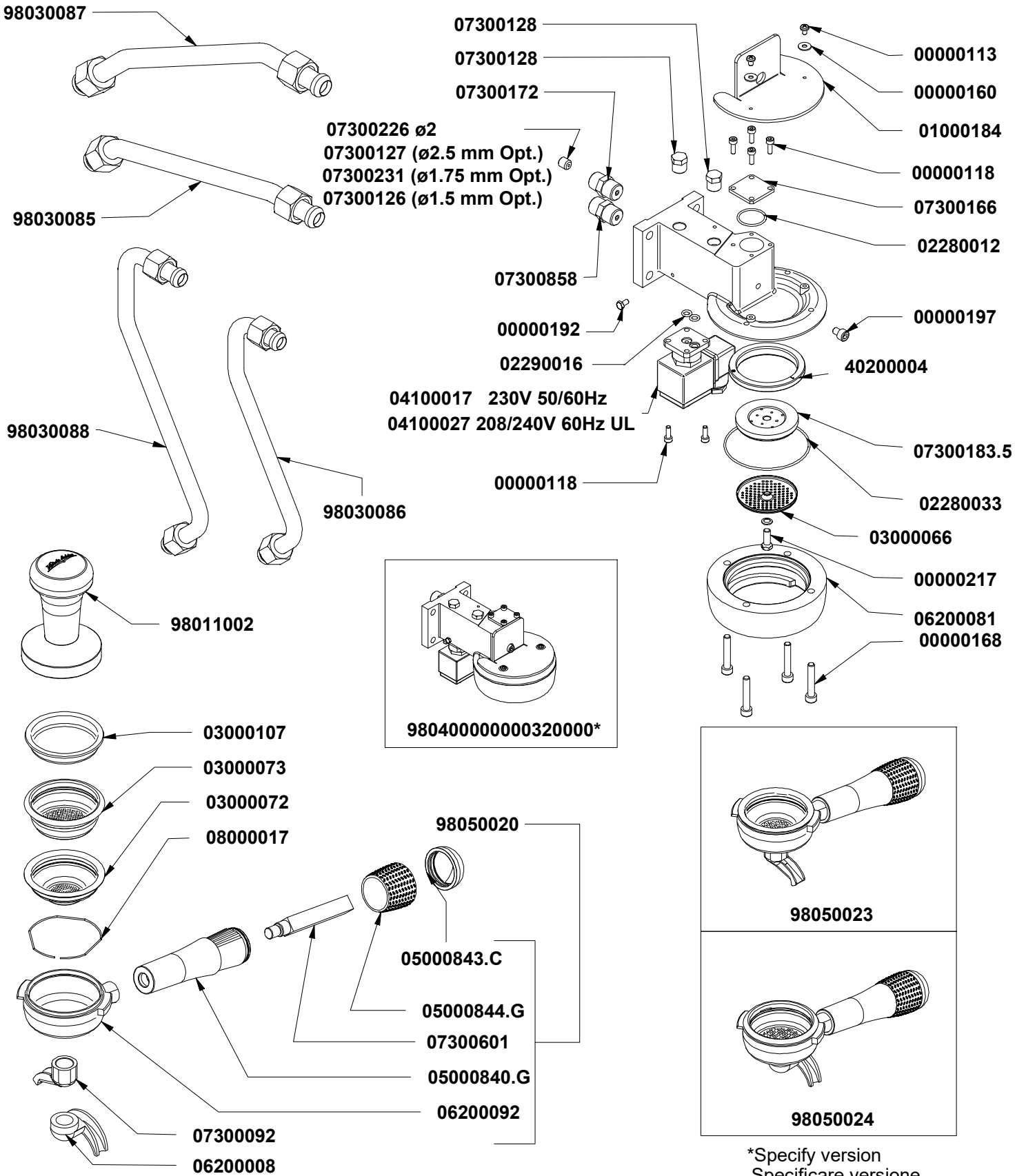
T.OI

04900753 WITH STEAM KEY
04900754 NO STEAM KEY



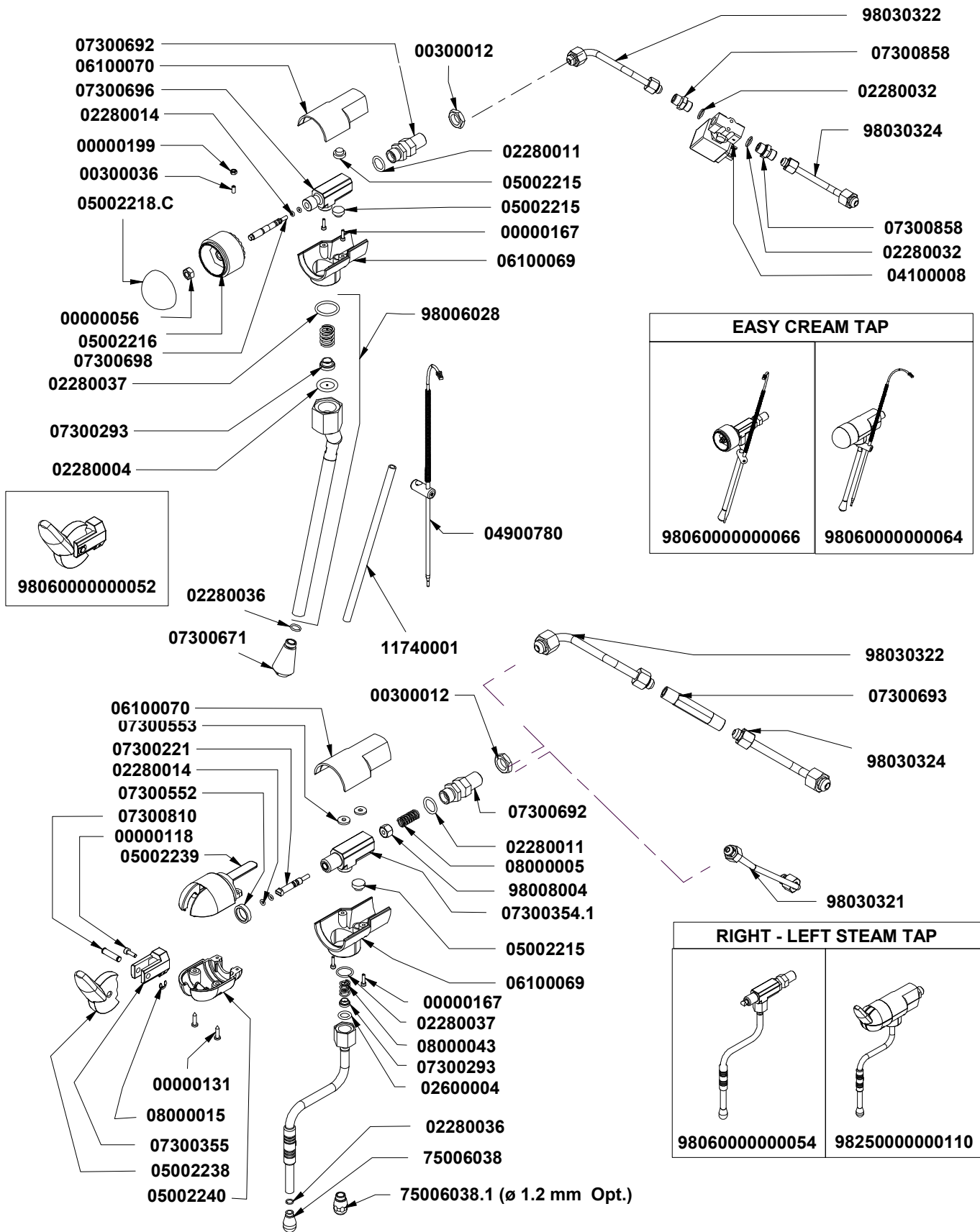
SILICON KEYS
<p>04900753.S</p>
SILICON KEYS
<p>04900752.S</p>

COD.	DESCRIPTION	DESCRIZIONE	VAL.
00000054	GALV HIGH NUT M4	DADO AQ M4 ALTO ZINCATO	
00000089	S/S CROSSHEAD CAP SCREW M4x12 DIN7985	VITE INOX M4x12 TC TCR DIN7985	
00000145	S/S SCREW M3x8 TSPEI UNI 5933	VITE INOX M3x8 TSPEI UNI 5933	
00000151	S/S HEXAGON SOCKET HEAD SCREW M5x25 ISO 5931 FT	VITE INOX M5x25 TCEI TUTTO FILETTO	
00000172	GALV FLAT WASHER D.5	RONDELLA PIANA D.5 ZINCATA	
03002248	PLATE CARTER SUPPORT GR ADONIS	LAMIERA SUPP. CARTER GR ADONIS	
03002308	PROGRAMMING KEYBOARD FASTENER ADONIS	LAMIERA FISS. TASTI PROGRAMMAZ ADONIS	
04900702	KEYPAD G/S 4KEYS PROGRAM COLOR 432c	PULSANTIERA G/S 4TASTI PROGRAMMAZIONE COLORE 43	
04900712.B	WHITE DISPLAY BOARD ADONIS	SCHEDA DISPLAY BIANCO ADONIS	
04900752	5KEY DISPENSING KEYPAD VA ADONIS	SCHEDA EROGAZIONE 5 TASTI V.A."ADONIS"	
04900752.S	G/S 5KEY VA ADONIS	TASTI G/S 5 TASTI V.A. ADONIS	
R04900752.S	KIT-G/S 5KEY VA - 1Pcs	KIT-TASTI G/S 5 TASTI VA - 1Pz	
04900753	3KEY SERVICE KEYPAD VA ADONIS	SCHEDA SERVIZI 3 TASTI V.A. "ADONIS"	
04900753.S	G/S 3KEY VA ADONIS	TASTI G/S 3 TASTI V.A. ADONIS	
04900754	3KEY SERVICE KEYPAD VA ADONIS W/O STEAM BUTTON	SCHEDA SERVIZI 3 TASTI V.A. "ADONIS" SENZA TASTOVAP	
05002212	DISPLAY PROTECTION ADONIS	PROTEZIONE DISPLAY ADONIS	
05002214	KEYBOARD BOARDER SERVICES ADONIS TRANSPARENT	CONTORNO PULSANTI SERVIZI ADONIS TRASPARENTE	
05002224	NYLON SPACER DISPLAY 10X5,5XH12 ADONIS	DISTANZIALE DISPLAY NYLON 4,2x8xh12 ADONIS	
05002226	NYLON SPACER DISPLAY 6X4XH10 ADONIS	DISTANZIALE DISPLAY NYLON 6x4xh10 ADONIS	
05002236	HEXAGON SPACER 6 M3 h20	DISTANZIALE ESAGONO 6 M3 h20	
06100066	INFERIOR GROUP COVER ADONIS CHROME	COPRIGRUPPO INF. CROMATO ADONIS	
06100067	SUPERIOR GROUP COVER ADONIS CHROME	COPRIGRUPPO SUP. CROMATO ADONIS	
07300606	FRONT FIXING GROUP SPACER AURELIA	DISTANZIALE FISSAGGIO FRONTALE GRUPPO AURELIA	
07300694	WALL SPACER FOR HOSE CLAMP ADONIS	DISTANZIALE PARETE PORTARUB. ADONIS	
08000034	HOSE CLAMP D12	FASCETTA STRINGITUBO D12	
11600004	SILICONE PIPE 5x9 60Sh PEROX WHITE SEMITRASPAREN	TUBO SILICONE 5x9 60Sh PEROX BIANCOSEMITRASPAREN	



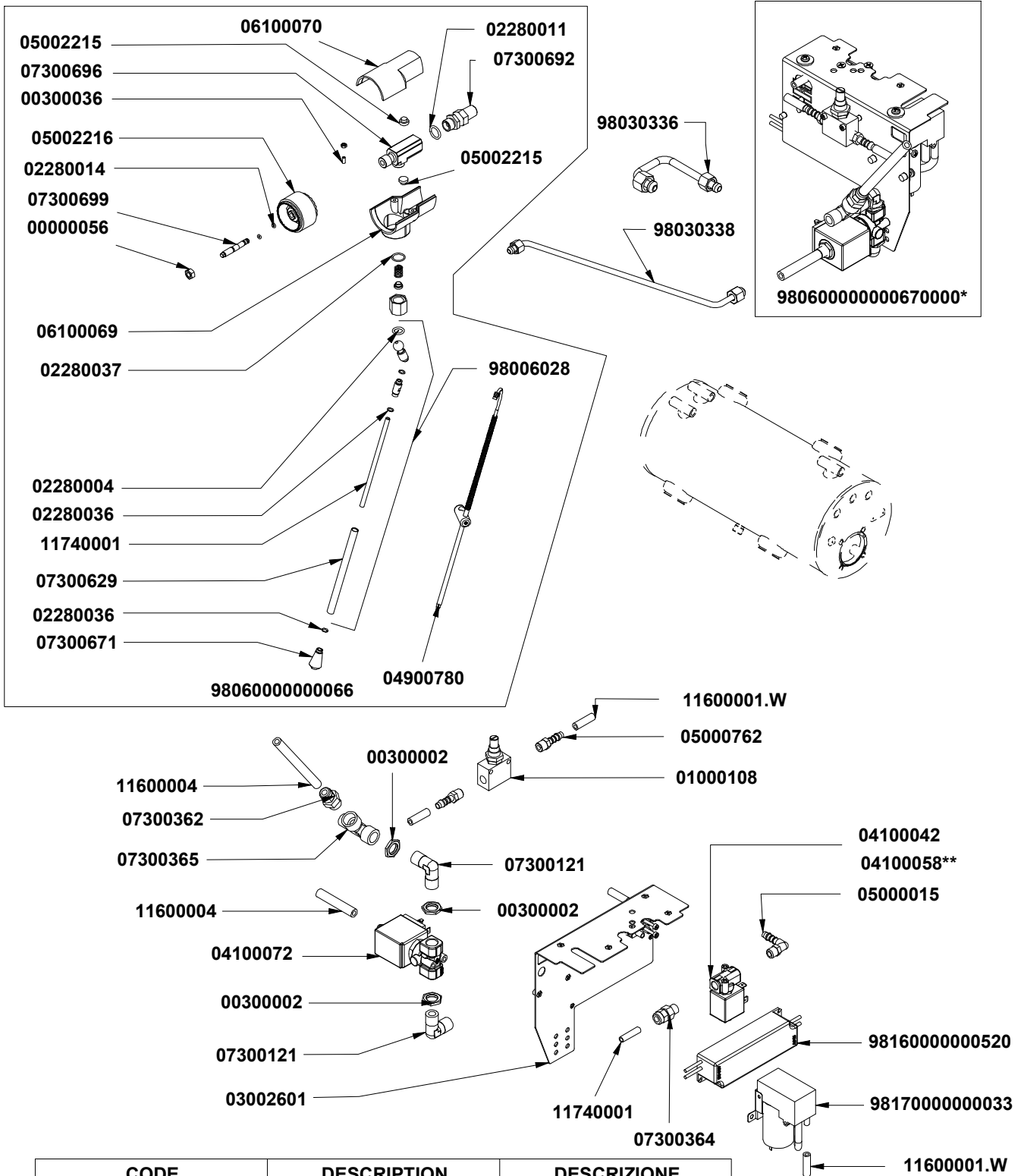
COD.	DESCRIPTION	DESCRIZIONE	VAL.
07300172	FITTING 3/8"M-3/8"M INT M8 OT-57 USA	RACCORDO 3/8"M-3/8"M INT M8 OT-57 USA	
00000113	S/S CROS SHEAD CAP SCREW M4x6 7985	VITE INOX M4x6 TC T.CR. 7985	
00000118	S/SHEX SOCKET CAP SCREW M4x12 5931	VITE INOX M4x12 TCEI 5931	
00000160	S/S WASHER D4X12 UNI 6593	RONDELLA INOX D4x12x1 UNI 6593	
00000168	S/S HEXAGON SOCKET HEAD SCREW M6x35 UNI 5931	VITE INOX M6x35 TCEI 5931	
00000192	S/S SCREW M4x8 TE UNI 5739	VITE INOX M4x8 TE UNI 5739	
00000197	S/S HEX SOCKET CAP SCREW M6x8 ISO 4762	VITE INOX M6x8 TCEI ISO 4762	
00000217	S/S SCREW TE CH9 + TC LT=20 FOR SHOWER	VITE INOX M6 LT=20 TE CH9 + TCx DOCCIA	
R00000217	KIT-S/S SCREW TE CH9 + TC LT=20 FOR SHOWER - 10Pcs	KIT-VITE INOX M6 LT=20 + TCx DOCCIA - 10Pz	
01000184	ADONIS GROUP INSULATOR	ISOLANTE GRUPPO EROGAZIONE ADONIS	
02280012	GASKET O RING 2093 D.27 EP851	GUARN. OR 2093 D.27 VITON DF 801	
R02280012	KIT-GASKET O RING 2093 D.27 EP - 30Pcs	KIT-GUARN. OR D.27 VITON DF - 30Pz	
02280033	GASKET O RING 75,92x1,78 NBR XP70	GUARN. OR 75,92x1,78 NBR XP70 2300	
R02280033	KIT-GASKET O RING 75,92x1,78 NBR - 20Pcs	KIT-GUARN. OR 75,92x1,78 NBR - 20Pz	
02290016	GASKET O RING D9,5 R5 SIL RED	GUARN. OR D 9,5 R5 SILICONE R.	
R02290016	KIT-GASKET O RING D9,5 SIL RED - 30Pcs	KIT-GUARN. OR D 9,5 SILICONE R. - 30Pz	
03000066	S/S SHOWER 56X5,5X6 WELDED	DOCCIA INOX 56x5,5x 6 SALDATA Aisi304	
R03000066	KIT-S/S SHOWER 56X5,5X6 WELDED - 5Pcs	KIT-DOCCIA INOX 56x5,5x 6 SALDATA Aisi304 - 5Pz	
03000072	FILTER ONE COFFEE HIGH 7gr	FILTRO 1 CAFFE' ALTO 7gr.	
R03000072	KIT-FILTER ONE COFFEE HIGH 7gr - 3Pcs	KIT-FILTRO 1 CAFFE' ALTO 7gr. - 3Pz	
03000073	FILTER TWO COFFEE HIGH 14gr	FILTRO 2 CAFFE' ALTO 14gr.	
R03000073	KIT-FILTER TWO COFFEE HIGH 14gr - 3Pcs	KIT-FILTRO 2 CAFFE' ALTO 14gr. - 3Pz	
03000107	BLIND FILTER	FILTRO CIECO	
R03000107	KIT-BLIND FILTER - 8Pcs	KIT-FILTRO CIECO - 8Pz	
04100017	3WAY SOLENOID DIS BASE 1/8220-230V50/60Hz F1.5 CE	E.V. NC 3VIE BASETТА SCAR. 1/8220-230V 50/60HzRUBY F1	
R04100017	KIT-3WAY SOLENOID DIS BASE 1/8220-230V50/60Hz - 1Pc	KIT-E.V. NC 3VIE BASETТА SCAR. 1/8220-230V 50/60Hz- 1Pz	
04100027	3WAY SOLENOID DIS BASE 1/8 208-240V 60Hz F1.3 UL	E.V. NC 3VIE BASETТА SCAR. 1/8208-240V 60Hz RUBYF1.3 U	
05000840.G	FILTER HOLDER KNOB 2003 GREY	MANOPOLA PORTAFILTRO 2003 GRIGIO RAL 7026	
05000843.C	FILTER HOLDER KNOB LOCK 2003 CHROME	CHIUSURA MANOPOLA PORTAFILTRO 2003 CROMATO	
R05000843.C	KIT-FILTER HOLDER KNOB LOCK CHROME - 3Pcs	KIT-CHIUSURA MANOPOLA PORTAFILTRO CROMATO - 3Pz	
05000844.G	GREY RUBBER COVER FILTER HOLDER KNOB	RIVESTIMENTO GOMMA GRIGIO RAL7026 MANOPOLAPORT	
06200008	2WAY OPEN NOZZLE	BECCO DUE VIE OPEN	
R06200008	KIT-2WAY OPEN NOZZLE - 1Pcs	KIT-BECCO DUE VIE OPEN - 1Pz	
06200081	GROUP RING OR CHROME OT-58	ANELLO GRUPPO +SEDE OR CROMATO OT-58	
R06200081	KIT-GROUP RING OR CHROME - 1Pcs	KIT-ANELLO GRUPPO +SEDE OR CROMATO - 1Pz	
06200092	SLOPED PORTAFILTER BODY W/O BRANDNAME	CORPO PORTAF. INCLINATO SENZA MARCHIO	
07300092	1WAY CURVED OPEN NOZZLE	BECCO UNA VIA CURVO OPEN	
R07300092	KIT-1WAY CURVED OPEN NOZZLE - 2Pcs	KIT-BECCO UNA VIA CURVO OPEN - 2Pz	
07300126	GIGLEUR M8x8 F.1,5 OT-57 +TEA	GIGLER M8x8 F.1,5 OT-57 +TEA	
07300127	GIGLEUR M8x8 F.2,5	GIGLER M8x8 F.2,5	
07300128	PLUG 1/4 GAS ADD.31.01.89 OT-57	TAPPO 1/4 GAS AGG.31.01.89 OT-57	
07300166	FLANGE BLOCK LOCK SOLENOID HOLDER ADD.07.07.03	FLANGIA CHIUSURA BLOCCHETTO PORTA ELETTRIV.AGG	
07300183.5	GROUP DIFFUSER h=5 OT-58	PADIGLIONE GRUPPO h=5 OT-58	
R07300183.5	KIT-GROUP DIFFUSER h=5 - 2Pcs	KIT-PADIGLIONE GRUPPO h=5 - 2Pz	
07300226	GIGLEUR M8x8 F.2 OT-57 + TEA	GIGLER M8x8 F.2,0 OT-57 +TEA	
07300231	GIGLEUR M8x8 F.1,8	GIGLER M8x8 F.1,8	
07300601	FILTER HOLDER KNOB INSERTION STAINLESS	INSERTO MANOPOLA PORTAFILTRO 2003 INOX (Aisi303)**D	

COD.	DESCRIPTION	DESCRIZIONE	VAL.
07300858	FITTING 1/4M-1/4M OT-57 USA	RACCORDO 1/4M-1/4M OT-57 USA	
R07300858	KIT-FITTING 1/4M-1/4M - 15Pcs	KIT-RACCORDO 1/4M-1/4M - 15Pz	
08000017	S/S FILTER LOCKING SPRING	MOLLA BLOCCA FILTRO ACC.INOX	
R08000017	KIT-S/S FILTER LOCKING SPRING - 15Pcs	KIT-MOLLA BLOCCA FILTRO ACC.INOX - 15Pz	
40200004	GASKET CONICAL UNDERCOVER 82/84 ShA	GUARNIZ. SOTTOCOPPA CONICA 82/84 ShA	
R40200004	KIT-GASKET CONICAL UNDERCOVER 82/84 ShA - 15Pcs	KIT-GUARNIZ. SOTTOCOPPA CONICA 82/84 ShA - 15Pz	
98011002	ANODISED COFFEE TAMPER BRILLIANT WHITE VA 2009	PRESSA CAFFE' ANOD.ARGENTO V.A. '09	
98030085	SUPERIOR TUBE LOW GROUP AURELIA	TUBO SUP. GRUPPO BASSO AURELIA	
98030086	INFERIOR TUBE LOW GROUP AURELIA	TUBO INF. GRUPPO BASSO AURELIA	
98030087	SUPERIOR TUBE RAISED GROUP AURELIA	TUBO SUP. GRUPPO ALTO AURELIA	
98030088	INFERIOR TUBE RAISED GROUP AURELIA	TUBO INF. GRUPPO ALTO AURELIA	
980400000000320001	DISPENSING GROUP SET 230V	ASS. GR. EROG. VA358 230V	
980400000000320002	DISPENSING GROUP SET 208-240V CSA	ASS. GR. EROG. VA358 208-240V CSA	
980400000000320003	DISPENSING GROUP SET 230V KC	ASS. GR. EROG. VA358 230V KC	
98050020	SLOPED PORTAFILTER + GREY HANDLE VA	CORPO PORTAFILTRO INCLINATO V.A. + MANOPOLA GRIG	
R98050020	KIT-SLOPED PORTAFILTER + GREY HANDLE VA-1Pcs	KIT -CORPO PORTAFILTRO INCLINATO V.A.+ MANOPOLA G	
98050023	COMPLETE SLOPED PORTAFILTER 1WAY VA GREY HAND	PORTAFILTRO INCLINATO COMPLETO1 VIA V.A. MANOPOL	
R98050023	KIT-COMPLETE SLOPED PORTAFILTER 2WAY VA - 1Pcs	KIT-PORTAFILTRO INCLINATO COMPLETO1 VIA V.A.- 1Pz	
98050024	COMPLETE SLOPED PORTAFILTER 2WAY VA GREY HAND	PORTAFILTRO INCLINATO COMPLETO2 VIE V.A. MANOPOL	
R98050024	KIT-COMPLETE SLOPED PORTAFILTER 1WAY VA - 1Pcs	KIT-PORTAFILTRO INCLINATO COMPLETO2 VIE V.A.- 1Pz	



COD.	DESCRIPTION	DESCRIZIONE	VAL.
00000056	GALV HIGH NUT AQ M8	DADO AQ M8 ALTO ZINCATO	
00000118	S/SHEx SOCKET CAP SCREW M4x12 5931	VITE INOX M4x12 TCEI 5931	
00000131	SS SELF-TAPPING CROSS HEAD CAP SCREW 3.9x16	VITE AUTOF INOX 3,9x16 TC /TCR	
00000167	S/S SCREW M3x12 TCEI ISO 4762	VITE INOX M3x12 TCEI ISO 4762	
00000199	S/S NUT M4 MEDIUM UNI 5588	DADO INOX M4 MEDIO UNI 5588	
00300012	BRASS NUT 3/8 GAS D6 CH22 ADD 22.07.96	DADO OT 3/8 GAS CH22 SPESS.6 AGG. 22.07.96	
00300036	S/S GRUB SCREW M4X10 UNI 5923	GRANO INOX M4x10 UNI 5923	
02280004	GASKET O RING 115 D17 EP 856 x SWIVEL STEAM PIPE	GUARN. OR 115 D.17 EP856 SNODO LANCIA	
R02280004	KIT-GASKET O RING 115 D17 EP 856 x STEAM PIPE - 55Pcs	KIT-GUARN. OR 115 D.17 EP856 SNODO LANCIA - 55Pz	
02280011	GASKET O RING R11 D19 EP 851	GUARN. OR R11 D19 EP 851	
R02280011	KIT-GASKET O RING R11 D19 EP - 25Pcs	KIT-GUARN. OR R11 D19 EP - 25Pz	
02280014	GASKET GASKET O RING D.7 AN2/OR102 SILICON	GUARN. OR D7 AN2/OR102 SILICON7XL1715	
R02280014	KIT-GASKET GASKET O RING D.7 AN2/OR102 SILICON - 30	KIT-GUARN. OR D7 SILICON 7XL1715 - 30Pz	
02280032	GASKET O RING 114 D15 EP 851	GUARN. OR 114 D.15 EP 851	
R02280032	KIT-GASKET O RING 114 D15 EP - 25Pcs	KIT-GUARN. OR 114 D.15 EP - 25Pz	
02280036	O RING FOR STEAM WAND NOZZLE D6x1.2 EPDM70 500 P	GUARN. OR x BECCO LANCIA VAP. DI 6x1.2 EPDM70(CONF.	
R02280036	KIT-O RING FOR STEAM WAND NOZZLE D6x1.2 EPDM - 65	KIT-GUARN. OR x BECCO LANCIA VAP. D. 6x1.2 EPDM- 65Pz	
02280037	GASKET O RING JOINT LOCK 16x2 NBR70	GUARN. OR CHIUSURA SNODO 16x2 NBR70	
R02280037	KIT-GASKET O RING JOINT LOCK 16x2 NBR - 45Pcs	KIT-GUARN. OR CHIUSURA SNODO 16x2 NBR - 45Pz	
02600004	O RING 15,2x10,2x2,5 TEFLON x STEAM WAND SPHERE	GUARN. OR 15,2x10,2x2,5 TEFLONx SFERA LANCIAVAPORE	
R02600004	KIT-O RING 15,2x10,2x2,5 TEFLON x STEAM - 55Pcs	KIT-GUARN. OR 15,2x10,2x2,5 TEFLONx SFERA LANCIA- 55Pz	
04100008	3WAY SOLENOID 1/4-1/4 1/8 240V50/60hz F3 UL TH2xM5	E.V. NC 3VIE 1/4-1/4 SCAR. 1/8220V 50HZ-240V 60HzRUBY F3	
R04100008	KIT-3WAY SOLENOID 1/4-1/4 1/8 240V50/60hz F3UL TH2xM5	KIT -E.V. NC 3VIE 1/4-1/4 SCAR. 1/8220V 50HZ-240V60HZ RU	
04900780	PROBE PT1000 STEAMWAND TURBOCREAM D06 +SUP AD	SONDA PT1000 x LANCIA VAPORE "TURBO CREAM" D06 +S	
05002215	TAP COVER SPACER ADONIS H4,2 TEFLON	DISTANZIALE COPRIRUBINETTO ADONIS h=4,2 TEFLON	
05002216	STEAM KNOB CYLINDER INSERTION ADONIS	MANOPOLA VAPORE INS.CILINDRICOADONIS (CON INSERT	
05002218.C	CHROMED STEAM TAP SPHERE INSERT ADONIS	MANOPOLA VAPORE INS. SFERICO CROMATO ADONIS	
05002238	STEAM KNOB FOR LEVER TAP OPENING ADONIS	MANOPOLA VAPORE "ADONIS" PER RUBINETTO APERTUR	
05002239	SUPERIOR FRONT TAP COVER CHROME LEVA ADONIS	COPRI RUBINETTO SUP. ANTERIORE CROMATO APERTUR	
R05002239	KIT-SUPERIOR FRONT TAP COVER CHROME - 2Pcs	KIT-COPRI RUBINETTO SUP. ANTERIORE CROMATO AP.- 2Pz	
05002240	FRONT INFERIOR TAP COVER CHROME LEVER OPEN AD	COPRI RUBINETTO INF. ANTERIORE CROMATO APERTURA	
R05002240	KIT-FRONT INFERIOR TAP COVER CHROME LEVER OPEN	KIT-COPRI RUBINETTO INF. ANTERIORE CROMATO AP.- 2Pz	
06100069	INFERIOR TAP COVER ADONIS CHROME	COPRI RUBINETTO INF. CROMATO ADONIS	
06100070	SUPERIOR TAP COVER ADONIS CHROME	COPRI RUBINETTO SUP. CROMATO ADONIS	
07300221	S/S STEAMTAP ROD	ASTA INOX RUBINETTO VAPORE	
R07300221	KIT-S/S STEAMTAP ROD - 3Pcs	KIT-ASTA INOX RUBINETTO VAPORE - 3Pz	
07300293	ARTICULATED BUSHING AG.25.06.96 OT-57	BUSSOLA SNODO AG.25.06.96 OT-57	
R07300293	KIT-ARTICULATED BUSHING - 15Pcs	KIT-BUSSOLA SNODO - 15Pz	
07300354.1	STEAM TAP BODY FOR ARTICULATED BRASS WAND OT-57	CORPO RUB. VAPORE x LANC. SNODOTONE OT-57	
07300355	TAP FORK 99 BRASS OT-58	FORCELLA RUBINETTO 99 OTTONE OT-58	
R07300355	KIT-TAP FORK 99 BRASS - 3Pcs	KIT-FORCELLA RUBINETTO - 3Pz	
07300552	BIG WASHER PTFE TAP LEVER OPENING ADONIS	RONDELLA GRANDE PTFE RUBINETTO APERTURA A LEVA	
07300553	SMALL WASHER PTFE TAP LEVER OPENING ADONIS	RONDELLA PICCOLA PTFE RUB. APERTURA A LEVA ADONIS	
07300671	EASYCREAM NOZZLE 4HOLES TALENTO - AURELIA II	BECCO EASYCREAM 4 FORI TALENTO / AURELIA II	
07300692	SPRING HOLDER PLUG STEAM WAND ADONIS OT-57	TAPPO PORTAMOLLA RUB.VAP. ADONIS OT-57	
R07300692	KIT-SPRING HOLDER PLUG STEAM WAND - 4Pcs	KIT-TAPPO PORTAMOLLA RUB.VAP. - 4Pz	
07300693	FITTING 1/4M-M SOLENOID SUBSTITUTION	RACCORDO 1/4M-M SOSTITUZIONE ELETTROVALVOLA	

COD.	DESCRIPTION	DESCRIZIONE	VAL.
07300696	LEFT STEAM TAP BODY M16x2 ADONIS OT-58	CORPO RUBIN. VAPORE M16x2 SINADONIS OT-58	
07300698	S/S ROD FOR STEAM TAP M16x2 LEFT MECHANICAL OPEI	ASTA INOX RUBIN VAP. M16x2 SIN APERTURA MECCANICA	
07300810	STEAM TAP PIN AURELIA IIOT-58	SPINOTTO RUB.VAPORE AURELIA IIOT-58	
R07300810	KIT-STEAM TAP PIN - 25Pcs	KIT-SPINOTTO RUB.VAPORE - 25Pz	
07300858	FITTING 1/4M-1/4M OT-57 USA	RACCORDO 1/4M-1/4M OT-57 USA	
R07300858	KIT-FITTING 1/4M-1/4M - 15Pcs	KIT-RACCORDO 1/4M-1/4M - 15Pz	
08000005	STEAM TAP SPRING 6 ST 11,5X8,5X25	MOLLA 6 ST 11,5X8,5X25 RUB.VAPORE	
R08000005	KIT-STEAM TAP SPRING 6 ST 11,5X8,5X25 - 15Pcs	KIT-MOLLA 6 ST 11,5X8,5X25 RUB.VAPORE - 15Pz	
08000015	S/S SEEGER RING TYPE RS 5 UNI7434	ANELLO SEEGER TIPO RS 5 INOX UNI7434	
08000043	SPRING FOR ARTICULATED WAND D.1.6 D.11.9x16.2 4COI	MOLLA PER LANCIA SNODATA FILO D.1.6 D.11.9x16.2 4SPIR	
R08000043	KIT-SPRING FOR ARTICULATED WAND D.1.6 D.11.9x16.2 -	KIT-MOLLA PER LANCIA SNODATA FILO D.1.6 D.11.9x16. - 15	
11740001	TEFLON PIPE 6/4	TUBO TEFLON 6/4	
75006038	STEAM NOOZLE M8,65x0,75 F. 1,5 ROUNDED	BECCO VAPORE M8,65x0,75 F. 1,5 BOMBATO	
75006038.1	STEAM NOOZLE M8,65X0,75 F1,2 ESAG.12	BECCO VAPORE M8,65x0,75 F. 1,2 ESAG.12	
98006028	SLOPING EASYCREAM STEAMWAND W/ SHORT NUT	LANCIA VAPORE "EASYCREAM" INCLINATA DADO BASSO	
98008004	COMPLETE STEAM VALVE PISTON	PISTONCINO CHIUSURA COMPLETO	
R98008004	KIT-COMPLETE STEAM VALVE PISTON - 5Pcs	KIT-PISTONCINO CHIUSURA COMPLETO - 5Pz	
98030321	RIGHT STEAM TUBE ADONIS	TUBO VAPORE DX ADONIS	
98030322	TUBE 6X8 LEFT STEAM TAP - VALVE 3/8 1/4 ADONIS	TUBO 6x8 RUBINETTO VAPORE SX - EV 3/8 1/4 "ADONIS"	
98030324	TUBE 6X8 LEFT 3WAY STEAM VALVE - BOILER 1/4 3/8	TUBO 6x8 EV 3 VIE VAPORE SX - CALDAIA 1/4 3/8ADONIS	
98060000000052	LEVER FOR STEAM TAP SET ADONIS	ASSIEME LEVA PER RUBINETTO VAPORE ADONIS	
98060000000054	STEAM TAP + LEVER STEAMWAND SET ADONIS	ASSIEME RUBINETTO + LANCIA VAPORE APERTURA A LEV	
98060000000064	TAP ASSEMBLY WITH EASYCREAM	ASS. RUBINET. EASY CREAM COMPL. S/REGOLAZ. ADONIS	
98060000000066	STEAM TAP W/O REGUL. + EASYCREAM WAND W/ TEMP	ASS. RUBINET.SENZA REGOLAZIONE+LANCIA EASY CREA	
R04100008	KIT-3WAY SOLENOID 1/4-1/4 1/8 240V50/60hz F3UL TH2xME	KIT -E.V. NC 3VIE 1/4-1/4 SCAR. 1/8220V 50HZ-240V60HZ RU	
98250000000110	COMPLETE STEAM TAP KIT LEVA ADONIS	KIT RUBINETTO VAPORE COMPL. DI LANCIA CON APERTUR	



CODE	DESCRIPTION	DESCRIZIONE
04000850	Suppl. wiring Easy Cream	Suppl. cablaggio EC

*Specify version
Specificare versione
**North America Market
Mercato Nord America

ADONIS

STYLE&CORE

STYLE&CORE

COMPONENTI EASYCREAM

EASYCREAM PARTS

COD.	DESCRIPTION	DESCRIZIONE	VAL.
98006028	SLOPING EASYCREAM STEAMWAND W/ SHORT NUT	LANCIA VAPORE "EASYCREAM" INCLINATA DADO BASSO	
00000056	GALV HIGH NUT AQ M8	DADO AQ M8 ALTO ZINCATO	
00300002	BRASS NUT 1/4 D3 CH18	DADO OT 1/4 SPESS.3 CH18 AGG. 22.07.96	
R00300002	KIT-BRASS NUT 1/4 D3 - 15Pcs	KIT-DADO OT 1/4 SPESS.3 - 15Pz	
00300036	S/S GRUB SCREW M4X10 UNI 5923	GRANO INOX M4x10 UNI 5923	
01000108	TAP MRF 1/8 FF 604	RUBINETTO MRF 1/8 F-F 604	
02280004	GASKET O RING 115 D17 EP 856 x SWIVEL STEAM PIPE	GUARN. OR 115 D.17 EP856 SNODO LANCIA	
R02280004	KIT-GASKET O RING 115 D17 EP 856 x STEAM PIPE - 55Pcs	KIT-GUARN. OR 115 D.17 EP856 SNODO LANCIA - 55Pz	
02280011	GASKET O RING R11 D19 EP 851	GUARN. OR R11 D19 EP 851	
R02280011	KIT-GASKET O RING R11 D19 EP - 25Pcs	KIT-GUARN. OR R11 D19 EP - 25Pz	
02280014	GASKET GASKET O RING D.7 AN2/OR102 SILICON	GUARN. OR D7 AN2/OR102 SILICON7XL1715	
R02280014	KIT-GASKET GASKET O RING D.7 AN2/OR102 SILICON - 30	KIT-GUARN. OR D7 SILICON 7XL1715 - 30Pz	
02280036	O RING FOR STEAM WAND NOZZLE D6x1.2 EPDM70 500 P	GUARN. OR x BECCO LANCIA VAP. DI 6x1.2 EPDM70(CONF.	
R02280036	KIT-O RING FOR STEAM WAND NOZZLE D6x1.2 EPDM - 65	KIT-GUARN. OR x BECCO LANCIA VAP. D. 6x1.2 EPDM- 65Pz	
02280037	GASKET O RING JOINT LOCK 16x2 NBR70	GUARN. OR CHIUSURA SNODO 16x2 NBR70	
R02280037	KIT-GASKET O RING JOINT LOCK 16x2 NBR - 45Pcs	KIT-GUARN. OR CHIUSURA SNODO 16x2 NBR - 45Pz	
03002601	COMPRESSOR SUPPORT PANEL AURELIA II	LAMIERA SUPPORTO COMPRESSORE AURELIA II	
04000850	WIRING EXTENSION FOR EASYCREAM RELAY ADONIS	SUPPL. CABLAGGIO EASYCREAM ADONIS	
04100042	2WAY SOLENOID 1/8-1/8 220-230V50/60Hz F2 CE TH1xM4	E.V. NC 2VIE 1/8-1/8 220-230V 50/60Hz VITON F2 CEPIEDINO	
R04100042	KIT-2WAY SOLENOID 1/8-1/8 220-230V50/60Hz F2 CE - 1Pcs	KIT-E.V. NC 2VIE 1/8-1/8 220-230V 50/60Hz VITON F2- 1Pz	
04100058	2WAY SOLENOID 1/8-1/8 208-240V 60Hz F2 UL TH2xM3	E.V. NC 2VIE 1/8-1/8 208-240V 60Hz VITON F2 ULPIEDINO FIL	
04100072	3WY SOLENOID 1/4-1/4 DISCHARGE 1/8 208/240V 50/60Hz I	E.V. NC 3VIE 1/4-1/4 SCAR.1/8 208/240V 50/60Hz F5INOX	
04900780	PROBE PT1000 STEAMWAND TURBOCREAM D06 +SUP AL	SONDA PT1000 x LANCIA VAPORE "TURBO CREAM" D06 +S	
05000015	TUBE FASTENING WES 6R 1/8	RACCORDO PORTATUBO WES 6R 1/8	
05000762	MALE STRAIGHT TUBE HOLDER JUNCTION GES 6 1/8	RACCORDO PORTATUBO GES 6 1/8 MASCHIO DIRITTO	
R05000762	KIT-MALE STRAIGHT TUBE HOLDER JUNCTION GES 6 1/8	KIT-RACCORDO PORTATUBO GES 6 1/8 MASCHIO DIRITTO	
05002215	TAP COVER SPACER ADONIS H4,2 TEFLON	DISTANZIALE COPRIRUBINETTO ADONIS h=4,2 TEFLON	
05002216	STEAM KNOB CYLINDER INSERTION ADONIS	MANOPOLA VAPORE INS.CILINDRICOADONIS (CON INSERT	
06100069	INFERIOR TAP COVER ADONIS CHROME	COPRI RUBINETTO INF. CROMATO ADONIS	
06100070	SUPERIOR TAP COVER ADONIS CHROME	COPRI RUBINETTO SUP. CROMATO ADONIS	
07300121	FITTING L 1/4 M-M CYLIND ADD. 18.02.97	RACCORDO L 1/4 M-M CILINDRICOAGG. 18.02.97	
R07300121	KIT-FITTING L 1/4 M-M CYLIND - 8Pcs	KIT-RACCORDO L 1/4 M-M CILINDRICO - 8Pz	
07300362	STRAIGHT FITTING 1/4 M-FITTINGS.6 340	RACCORDO DIR. 1/4 M-CALZ.6 340	
07300364	STRAIGHT FITTING 1/8 M CON. - FITTING.6 340	RACCORDO DIR. 1/8 M CON. - CALZAM.6 340	
R07300364	KIT-STRAIGHT FITTING 1/8 M CON. - FITTING.6 340 - 8Pcs	KIT-RACCORDO DIR. 1/8 M CON. - CALZAM.6 - 8Pz	
07300365	T FITTING 1/4 FFM	RACCORDO T 1/4 M-F-F	
07300629	S/S EASYCREAM STEAM WAND L=142 TALENTO	TUBO LANCIA INOX VAPORE L=142 EASYCREAM TALENTO	
07300671	EASYCREAM NOZZLE 4HOLES TALENTO - AURELIA II	BECCO EASYCREAM 4 FORI TALENTO / AURELIA II	
07300692	SPRING HOLDER PLUG STEAM WAND ADONIS OT-57	TAPPO PORTAMOLLA RUB.VAP. ADONIS OT-57	
R07300692	KIT-SPRING HOLDER PLUG STEAM WAND - 4Pcs	KIT-TAPPO PORTAMOLLA RUB.VAP. - 4Pz	
07300696	LEFT STEAM TAP BODY M16x2 ADONIS OT-58	CORPO RUBIN. VAPORE M16x2 SINADONIS OT-58	
07300699	S/S ROD FOR STEAM TAP M16x2 LEFT EASYCREAM ADON	ASTA INOX RUBIN VAP. M16x2 SIN EASY CREAM ADONIS	
11600001.W	WHITE SILICONE PIPE 4x7,5 60Sh(1mt=41gr) PLATINICO SE	TUBO SILICONE BIANCO4x7,5 60Sh(1mt=41gr) PLATINICO SE	
11600004	SILICONE PIPE 5x9 60Sh PEROX WHITE SEMITRASPAREN	TUBO SILICONE 5x9 60Sh PEROX BIANCOSEMITRASPAREN	
11740001	TEFLON PIPE 6/4	TUBO TEFLON 6/4	
98030336	EASYCREAM VALVE-BOILER TUBE ADONIS	TUBO CALDAIA - E.V. EASY CREAM ADONIS	
98030338	VALVE-EASYCREAM STEAMWAND TUBE ADONIS	TUBO E.V. - LANCIA VAPORE EASY CREAM ADONIS	



INSPIRED BY YOUR PASSION.

T.04 bis

ADONIS

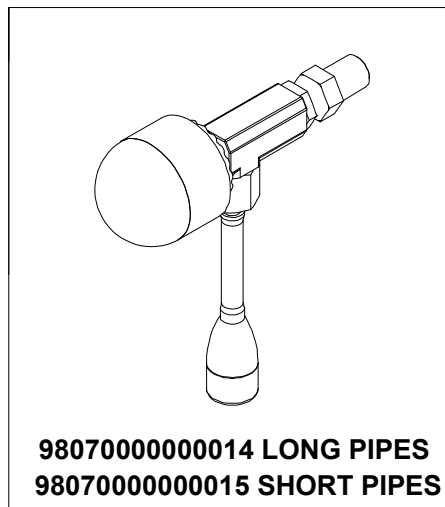
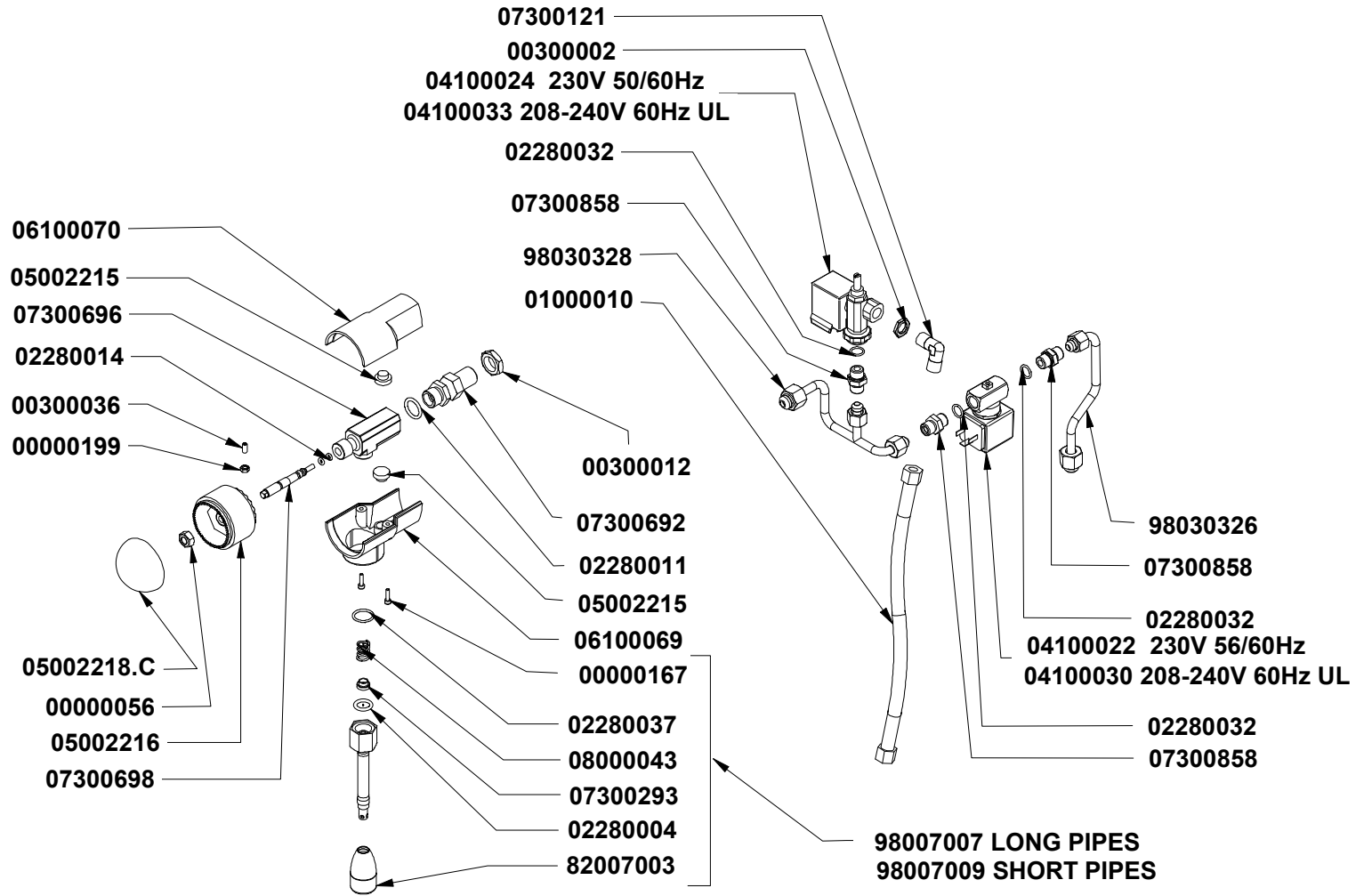
STYLE&CORE

STYLE&CORE

COMPONENTI EASYCREAM

EASYCREAM PARTS

COD.	DESCRIPTION	DESCRIZIONE	VAL.
98060000000066	STEAM TAP W/O REGUL. + EASYCREAM WAND W/ TEMP	ASS. RUBINET.SENZA REGOLAZIONE+LANCIA EASY CREAM	
980600000000670001	SUPPORT + SOLENOID EASYCREAM SET ADONIS	ASS. SUPPORTO+ E.V. EASY CREAM STD	
980600000000670002	SUPPORT + SOLENOID EASYCREAM SET CSA	ASS. SUPPORTO+ E.V. EASY CREAM CSA	
981600000000520	TRANSFOR+WIRING SET AURELIA II- ADONIS W/EASYCREAM	ASS. TRAF+CABLAGGIO AURELIA II- ADONIS CON EASYCREAM	
981700000000033	MICROCOMPRESSOR + SUPPORT SET TALENTO	ASS. SUPPORTO + MICROCOMPRESSORE TALENTO	



COD.	DESCRIPTION	DESCRIZIONE	VAL.
00000056	GALV HIGH NUT AQ M8	DADO AQ M8 ALTO ZINCATO	
00000167	S/S SCREW M3x12 TCEI ISO 4762	VITE INOX M3x12 TCEI ISO 4762	
00000199	S/S NUT M4 MEDIUM UNI 5588	DADO INOX M4 MEDIO UNI 5588	
00300002	BRASS NUT 1/4 D3 CH18	DADO OT 1/4 SPESS.3 CH18 AGG. 22.07.96	
R00300002	KIT-BRASS NUT 1/4 D3 - 15Pcs	KIT-DADO OT 1/4 SPESS.3 - 15Pz	
00300012	BRASS NUT 3/8 GAS D6 CH22 ADD 22.07.96	DADO OT 3/8 GAS CH22 SPESS.6 AGG. 22.07.96	
00300036	S/S GRUB SCREW M4x10 UNI 5923	GRANO INOX M4x10 UNI 5923	
01000010	S/S FLEXIBLE TUBE 1/4 FF L=320	TUBO FLESS.INOX 1/4-F.F. L=320	
R01000010	KIT-S/S FLEXIBLE TUBE 1/4 FF L=320 - 1Pcs	KIT-TUBO FLESS.INOX 1/4-F.F. L=320 - 1Pz	
02280004	GASKET O RING 115 D17 EP 856 x SWIVEL STEAM PIPE	GUARN. OR 115 D.17 EP856 SNODO LANCIA	
R02280004	KIT-GASKET O RING 115 D17 EP 856 x STEAM PIPE - 55Pcs	KIT-GUARN. OR 115 D.17 EP856 SNODO LANCIA - 55Pz	
02280011	GASKET O RING R11 D19 EP 851	GUARN. OR R11 D19 EP 851	
R02280011	KIT-GASKET O RING R11 D19 EP - 25Pcs	KIT-GUARN. OR R11 D19 EP - 25Pz	
02280014	GASKET GASKET O RING D.7 AN2/OR102 SILICON	GUARN. OR D7 AN2/OR102 SILICON7XL1715	
R02280014	KIT-GASKET GASKET O RING D.7 AN2/OR102 SILICON - 30	KIT-GUARN. OR D7 SILICON 7XL1715 - 30Pz	
02280032	GASKET O RING 114 D15 EP 851	GUARN. OR 114 D.15 EP 851	
R02280032	KIT-GASKET O RING 114 D15 EP - 25Pcs	KIT-GUARN. OR 114 D.15 EP - 25Pz	
02280037	GASKET O RING JOINT LOCK 16x2 NBR70	GUARN. OR CHIUSURA SNODO 16x2 NBR70	
R02280037	KIT-GASKET O RING JOINT LOCK 16x2 NBR - 45Pcs	KIT-GUARN. OR CHIUSURA SNODO 16x2 NBR - 45Pz	
04100022	2WAY SOLENOID 1/4-1/4 220-230V50/60Hz F3 CE TH1xM4	E.V. NC 2VIE 1/4-1/4 220-230V 50/60Hz RUBINO F3 CE PIEDIN	
R04100022	KIT-2WAY SOLENOID 1/4-1/4 220-230V50/60Hz F3 CE - 1Pcs	KIT-E.V. NC 2VIE 1/4-1/4 220-230V 50/60Hz RUBINO- 1Pz	
04100024	3WAY SOLENOID 1/4 REGUL 90° 230V50/60Hz F3 CE	E.V. NC 2VIE 1/4 REGOLAT. 90° 230V 50/60Hz F.3 CE	
R04100024	KIT-3WAY SOLENOID 1/4 REGUL 90° 230V50/60Hz F3 CE - 1	KIT-E.V. NC 2VIE 1/4 REGOLAT. 90° 230V 50/60Hz F.3- 1Pz	
04100030	2WAY SOLENOID 1/4-1/4 208-240V 60Hz F3 UL TH1xM4	E.V. NC 2VIE 1/4-1/4 208-240V 60Hz RUBY F3 ULPIEDINO FIL	
04100033	2WAY SOLENOID 1/4 REGUL 90° 230/240V 50/60Hz F3 UL C	E.V. NC 2VIE 1/4 REGOLAT. 90° 230/240V 50/60Hz F3UL CAN	
05002215	TAP COVER SPACER ADONIS H4,2 TEFLON	DISTANZIALE COPRIRUBINETTO ADONIS h=4,2 TEFLON	
05002216	STEAM KNOB CYLINDER INSERTION ADONIS	MANOPOLA VAPORE INS.CILINDRICOADONIS (CON INSERT	
05002218.C	CHROMED STEAM TAP SPHERE INSERT ADONIS	MANOPOLA VAPORE INS. SFERICO CROMATO ADONIS	
06100069	INFERIOR TAP COVER ADONIS CHROME	COPRI RUBINETTO INF. CROMATO ADONIS	
06100070	SUPERIOR TAP COVER ADONIS CHROME	COPRI RUBINETTO SUP. CROMATO ADONIS	
07300121	FITTING L 1/4 M-M CYLIND ADD. 18.02.97	RACCORDO L 1/4 M-M CILINDRICOAGG. 18.02.97	
R07300121	KIT-FITTING L 1/4 M-M CYLIND - 8Pcs	KIT-RACCORDO L 1/4 M-M CILINDRICO - 8Pz	
07300293	ARTICULATED BUSHING AG.25.06.96 OT-57	BUSSOLA SNODO AG.25.06.96 OT-57	
R07300293	KIT-ARTICULATED BUSHING - 15Pcs	KIT-BUSSOLA SNODO - 15Pz	
07300692	SPRING HOLDER PLUG STEAM WAND ADONIS OT-57	TAPPO PORTAMOLLA RUB.VAP. ADONIS OT-57	
R07300692	KIT-SPRING HOLDER PLUG STEAM WAND - 4Pcs	KIT-TAPPO PORTAMOLLA RUB.VAP. - 4Pz	
07300696	LEFT STEAM TAP BODY M16x2 ADONIS OT-58	CORPO RUBIN. VAPORE M16x2 SINADONIS OT-58	
07300698	S/S ROD FOR STEAM TAP M16x2 LEFT MECHANICAL OPEI	ASTA INOX RUBIN VAP. M16x2 SIN APERTURA MECCANICA	
07300858	FITTING 1/4M-1/4M OT-57 USA	RACCORDO 1/4M-1/4M OT-57 USA	
R07300858	KIT-FITTING 1/4M-1/4M - 15Pcs	KIT-RACCORDO 1/4M-1/4M - 15Pz	
08000043	SPRING FOR ARTICULATED WAND D.1.6 D.11.9x16.2 4COIL	MOLLA PER LANCIA SNODATA FILO D.1.6 D.11.9x16.2 4SPIR	
R08000043	KIT-SPRING FOR ARTICULATED WAND D.1.6 D.11.9x16.2 - 15	KIT-MOLLA PER LANCIA SNODATA FILO D.1.6 D.11.9x16. - 15	
82007003	HOTWATER DIFFUSER D23,5 F1/8 WITH PLASTIC AERATC	ROMPIGETTO ACQUA CALDA D.23,5 F 1/8" CON AERATORE	
98007007	S/S HOTWATER WAND KIT L100 HIGH W/ DIFFUSER	KIT LANCIA ACQUA C. INOX L=100COMPL. DI ROMPIGETTO	
98007009	S/S HOTWATER WAND KIT L70 W/ DIFFUSER	KIT LANCIA ACQUA C. INOX L=70 COMP. DI ROMPIGETTO82	
R98007009	KIT-S/S HOTWATER WAND KIT L70 W/ DIFFUSER - 1Pcs	KIT-KIT LANCIA ACQUA C. INOX L=70 COMP. DI ROMPIGE- 1	
98030326	TUBE 6X8 HOT WATER VALVE - BOILER 1/4 3/8 ADONIS	TUBO 6x8 EV ACQUA CALDA - CALDAIA 1/4 3/8 "ADONIS"	

ADONIS

STYLE&CORE

STYLE&CORE

COMPONENTI ACQUA CALDA

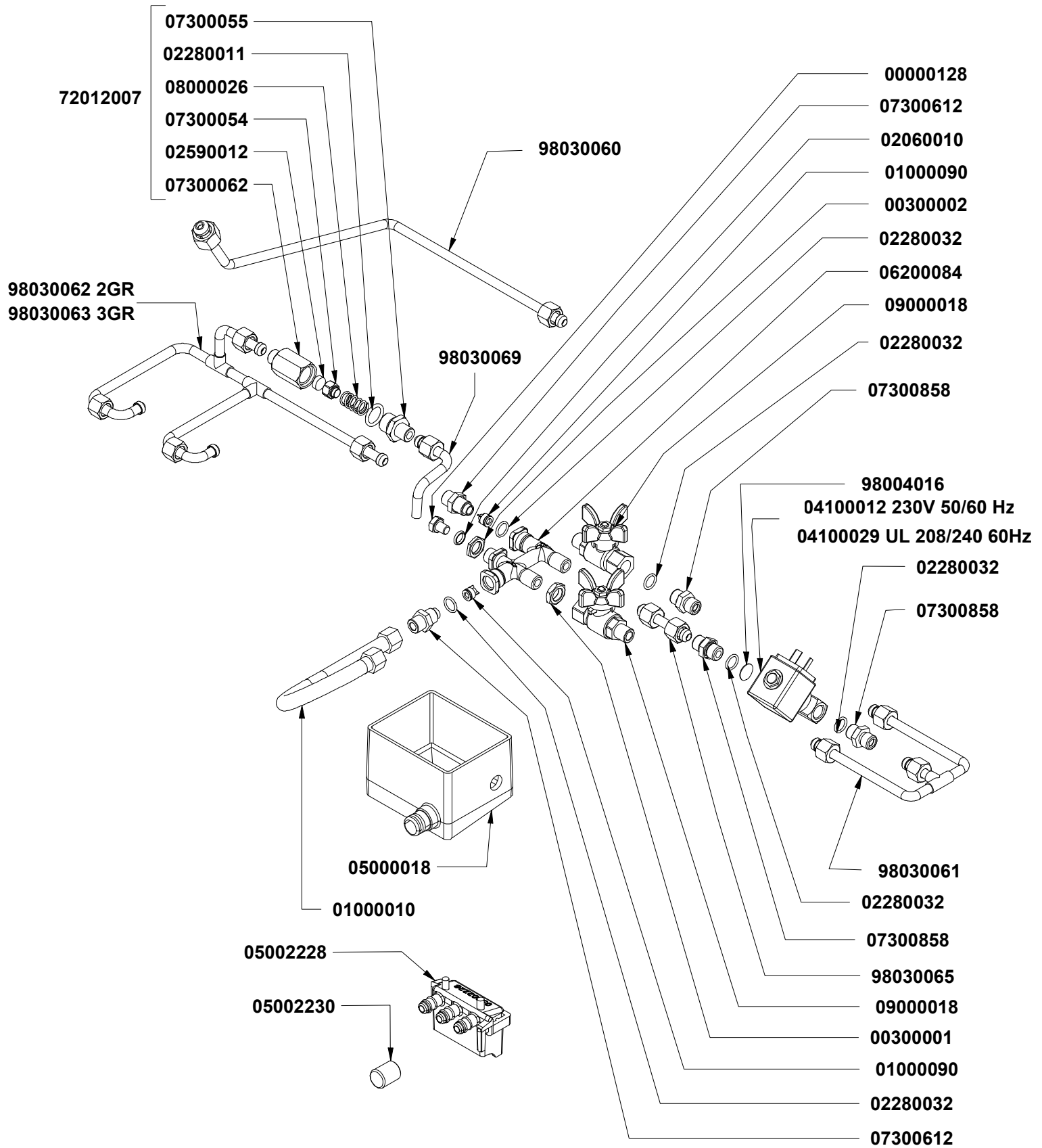
HOT WATER PARTS

COD.	DESCRIPTION	DESCRIZIONE	VAL.
98030328	TUBE 6X8 HOT WATER TAP - MIXER VALVE ADONIS	TUBO 6x8 RUBINETTO ACQUA CALDA- EV MISCELATOREA	
98070000000014	HOT WATER TAP ADONIS + WANS L100	RUBINETTO ACQUA CALDA ADONIS + LANCIA L=100	
98070000000015	HOT WATER TAP ADONIS + WAND L=70	RUBINETTO ACQUA CALDA ADONIS + LANCIA L=70	



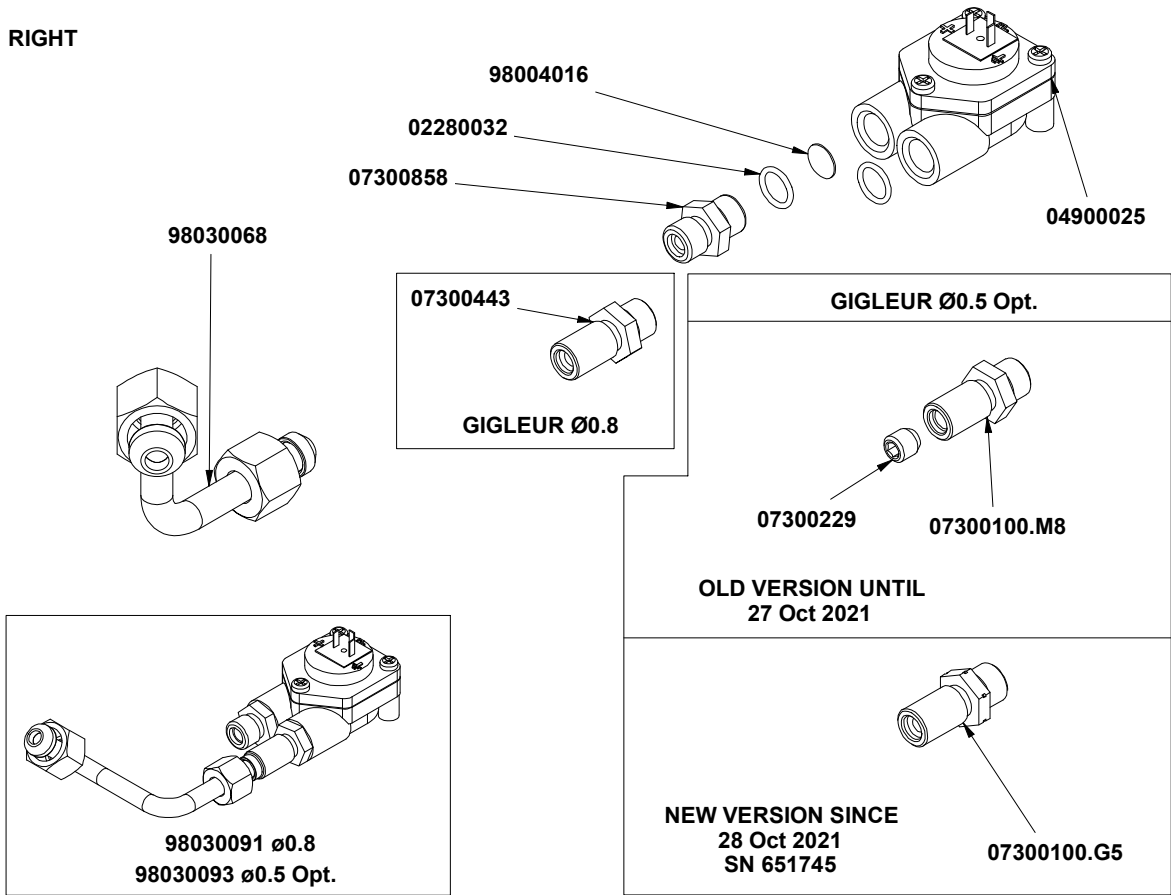
INSPIRED BY YOUR PASSION.

T.05

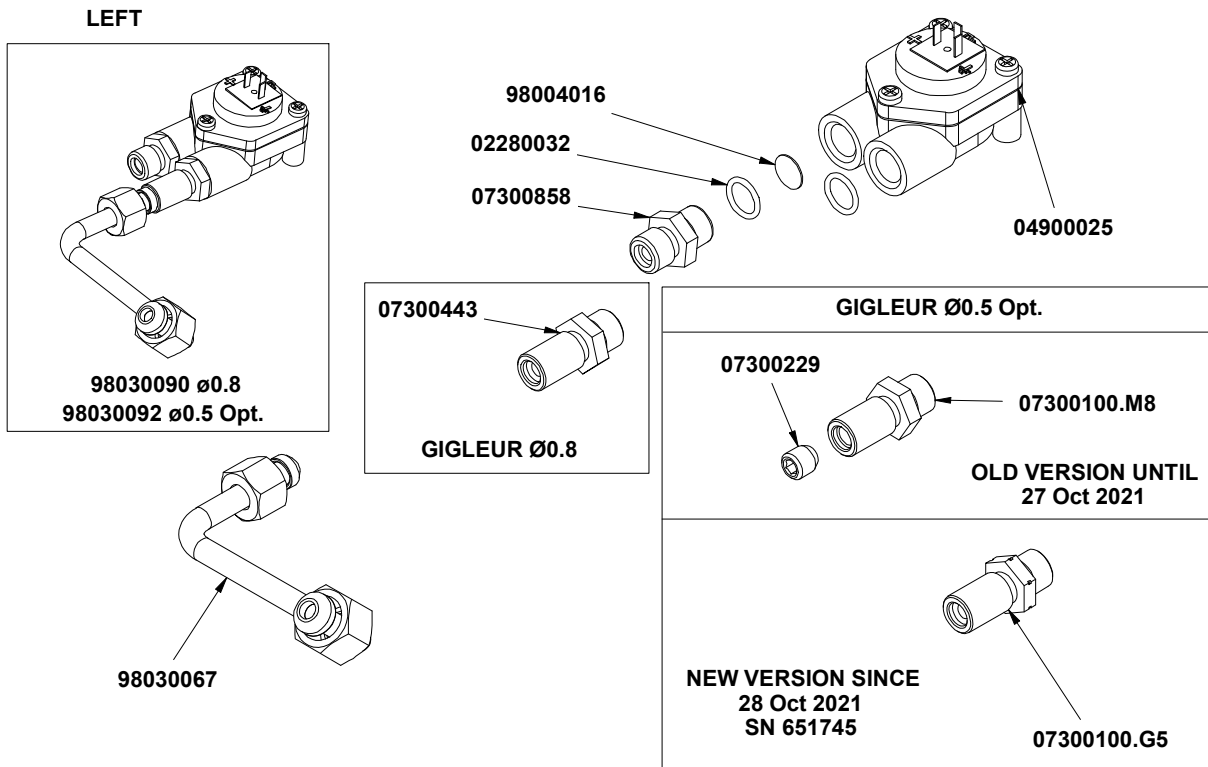


COD.	DESCRIPTION	DESCRIZIONE	VAL.
00000128	S/S HEX CAP SCREW M8x10 THREADED	VITE INOX M8x10 TE TUTTO FIL.	
00300001	BRASS NUT 1/4 GAS D5 CH18	DADO OT 1/4 GAS SPESS.5 CH18 *AGG. 22.07.96	
00300002	BRASS NUT 1/4 D3 CH18	DADO OT 1/4 SPESS.3 CH18 AGG. 22.07.96	
R00300002	KIT-BRASS NUT 1/4 D3 - 15Pcs	KIT-DADO OT 1/4 SPESS.3 - 15Pz	
01000010	S/S FLEXIBLE TUBE 1/4 FF L=320	TUBO FLESS.INOX 1/4-F.F. L=320	
R01000010	KIT-S/S FLEXIBLE TUBE 1/4 FF L=320 - 1Pcs	KIT-TUBO FLESS.INOX 1/4-F.F. L=320 - 1Pz	
01000090	RETAINING VALVE D10	VALVOLINA DI RITEGNO D.10	
R01000090	KIT-RETAINING VALVE D10 - 6Pcs	KIT-VALVOLINA DI RITEGNO D.10 - 6Pz	
02060010	COPPER O RING 8.3x13x1.9 ND8	OR RAME 8,3x13xh1,9 DN8	
02280011	GASKET O RING R11 D19 EP 851	GUARN. OR R11 D19 EP 851	
R02280011	KIT-GASKET O RING R11 D19 EP - 25Pcs	KIT-GUARN. OR R11 D19 EP - 25Pz	
02280032	GASKET O RING 114 D15 EP 851	GUARN. OR 114 D.15 EP 851	
R02280032	KIT-GASKET O RING 114 D15 EP - 25Pcs	KIT-GUARN. OR 114 D.15 EP - 25Pz	
02590012	EXPANSION VALVE PISTON GASKET D.12x4 RED SIL	GUARNIZ.PISTONCINO D 12X4 SILICONE ROSSO	
04100012	2WAY SOLENOID 1/8-1/8 1/8 240V50/60hz F3 UL TH2xM5	E.V. NC 2VIE 1/4-1/4 220-230V 50/60HZ VITON F1.5CE PIEDIN	
R04100012	KIT-2WAY SOLENOID 1/8-1/8 1/8 240V50/60hz F3 - 1Pcs	KIT-E.V. NC 2VIE 1/4-1/4 220-230V 50/60HZ VITON- 1Pz	
04100029	2WAY SOLENOID 1/4-1/4 208-240V 60Hz F1.5 UL TH1xM4	E.V. NC 2VIE 1/4-1/4 208-240V 60Hz VITON F1.5 ULPIEDINO F	
05000018	DRAIN TRAY AURELIA	VASCHETTA SCARICO AURELIA	
R05000018	KIT-DRAIN TRAY - 4Pcs	KIT-VASCHETTA SCARICO AURELIA - 4Pz	
05002228	DISCHARGE MANIFOLD DISPENSING GROUP	COLLETTORE SCARICO GRUPPI EROG	
05002230	DRAIN RUBBER PLUG D8 x 05002228	TAPPO GOMMA SCARICO D.8 x 05002228	
06200084	5WAY MANIFOLD AURELIA OT-57 USA	CROCIERA 5 VIE AURELIA OT-57 USA	
R06200084	KIT-5WAY MANIFOLD USA - 1Pcs	KIT-CROCIERA 5 VIE - 1Pz	
07300054	SMALL PISTON 012X4 NEPLAX/RIT	PISTONCINO 012X4 NEPLAX/RIT *AGG. 24.11.93	
07300055	SPRING HOLDER PLUG 3/8"-1/4"	TAPPO PORTAMOLLA 3/8"-1/4" *AGG. 14.06.99	
07300062	NEPLAX/RETURN BODY VLVE AT DA 1/4 GAS ADD.23.06.9	CORPO VALVOLA NEPLAX/RITEGNO AT. DA 1/4 GASAGG.23	
07300612	FITTING 1/4 1/4 GAS WITH ORING + RETURN VALVE LOCK	RACCORDO 1/4 1/4 GAS CON OR + BLOCCA VALVOLINARIT	
07300858	FITTING 1/4M-1/4M OT-57 USA	RACCORDO 1/4M-1/4M OT-57 USA	
R07300858	KIT-FITTING 1/4M-1/4M - 15Pcs	KIT-RACCORDO 1/4M-1/4M - 15Pz	
08000026	CALIBRATED SPRING D11.4 F1.5 5.25S NEPLAX VALVE 95	MOLLA TARATA D 11.4 F1.5 5.25SVALVOLA NEPLAX 95	
09000018	DISPENSING SPHERE TAP 1/4 M-F "BUTTERFLY"	RUBINET. SFERA DISTRIBUTORE 1/4 M-F A FARFALLA	
72012007	COMPLETE NEPLAX VALVE 14,5 bar	VALVOLA NEPLAX COMPLETA 14,5BAR	
R72012007	KIT-COMPLETE NEPLAX VALVE 14,5 bar - 1Pcs	KIT-VALVOLA NEPLAX COMPLETA 14,5BAR - 1Pz	
98004016	S/S FILTER D12	FILTRO INOX DIAM. 12	
R98004016	KIT-S/S FILTER D12 - 25Pcs	KIT-FILTRO INOX DIAM. 12 - 25Pz	
98030060	TUBE 3/8 1/4 LOADING BOILER AURELIA	TUBO 3/8 1/4 CARICO CALDAIA AURELIA	
98030061	TAP MANIFOLD FOR VALVE LEVEL AURELIA	CROCIERA RUBIN. X EV. LIVELLO AURELIA	
98030062	2GR MANIFOLD VOLUMETRIC FLOWMETER	CROCIERA 2 GR. DOSATORI VOL.	
98030063	3GR MANIFOLD VOLUMETRIC FLOWMETER	CROCIERA 3 GR. DOSATORI VOL.	
98030065	TUBE D8 1/4 1/4 L=59.5	TUBO D.8 1/4 1/4 L=59.5	
98030069	TUBE D8 1/4 NEPLAX DISCHARGE VALVE	TUBO D.8 1/4 SCARICO VALVOLA NEPLAX	

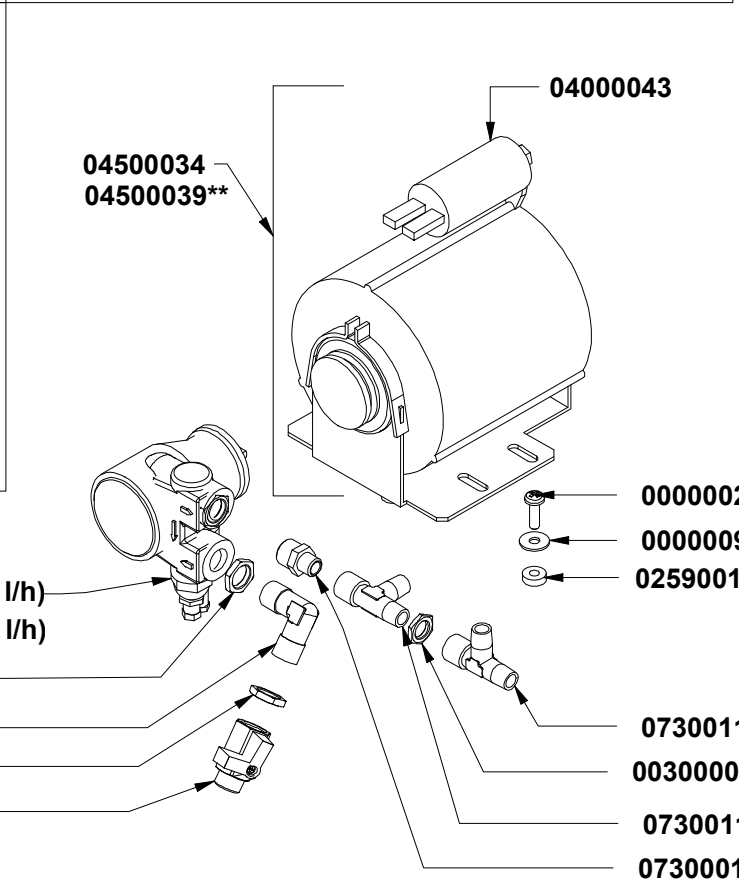
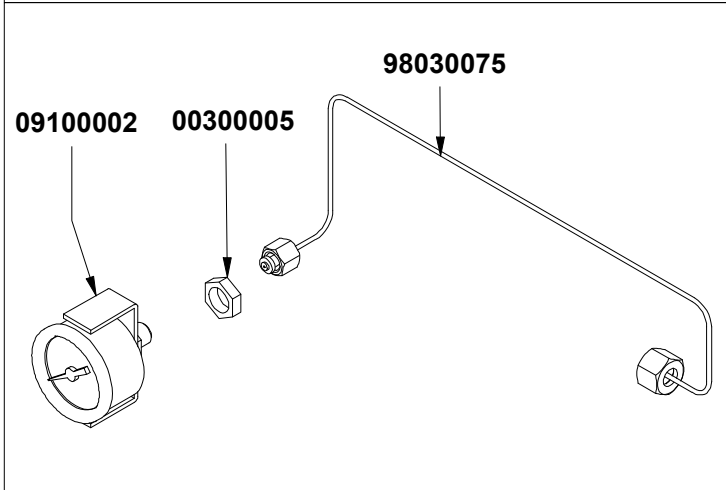
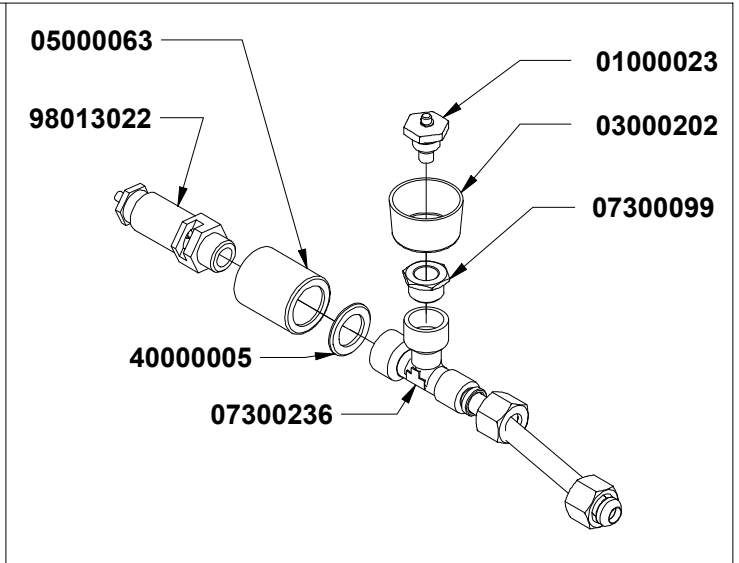
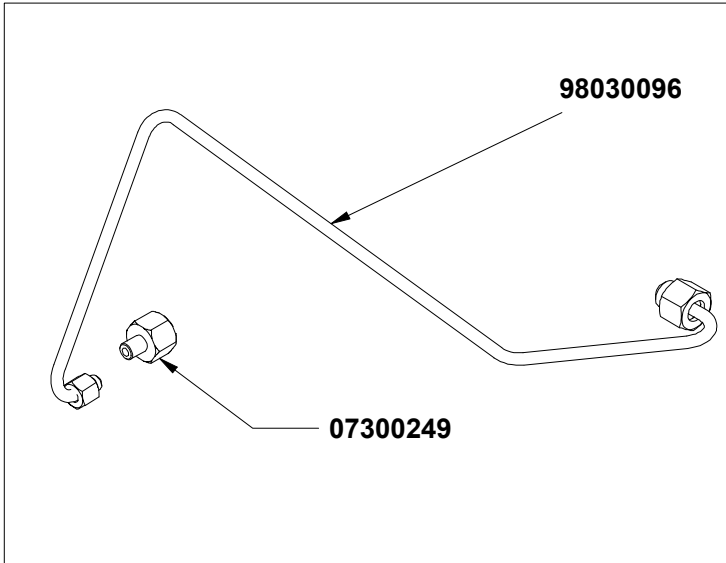
RIGHT



LEFT



COD.	DESCRIPTION	DESCRIZIONE	VAL.
02280032	GASKET O RING 114 D15 EP 851	GUARN. OR 114 D.15 EP 851	
R02280032	KIT-GASKET O RING 114 D15 EP - 25Pcs	KIT-GUARN. OR 114 D.15 EP - 25Pz	
04900025	BRASS FLOWMETER 1/4-1/4 GAS-ATT. HEAD 2,8x0,5 F 1,2	DOSATORE VOLUMETRICO OTT. 1/4-1/4 GAS-ATT. TEST.2,8	
R04900025	KIT-BRASS FLOWMETER 1/4-1/4 GAS-ATT. HEAD 2,8x0,5 F	KIT -DOSATORE VOLUMETRICO OTT. 1/4-1/4 GAS-ATT. TES	
07300100.G5	CONNECTION 1/4M-1/4M GIGLER F.0,5 OT-57 USA	ATTACCO SCAR. 1/4M-1/4M GIGLER F.0,5 OT-57 USA	
07300100.M8	DISCHARGE ATTACHMENT 1/4 1/4 + INT M8 OT-57 USA	ATTACCO SCAR. 1/4-1/4 + INT M8 OT-57 USA	
R07300100.M8	KIT-DISCHARGE ATTACHMENT 1/4 1/4 + INT - 8Pcs	KIT-ATTACCO SCAR. 1/4-1/4 + INT M8 - 8Pz	
07300229	GIGLEUR M8X8 F.0,5 OT-57 + TEA	GIGLER M8x8 F.0,5 OT-57 +TEA	
R07300229	KIT-GIGLEUR M8X8 F.0,5 + TEA - 15Pcs	KIT-GIGLER M8x8 F.0,5 - 15Pz	
07300443	FITTING 1/4M 1/4M GIGLER F.0,8 OT-57 USA	RACCORDO 1/4M 1/4M GIGLER F.0,8 OT-57 USA	
07300858	FITTING 1/4M-1/4M OT-57 USA	RACCORDO 1/4M-1/4M OT-57 USA	
R07300858	KIT-FITTING 1/4M-1/4M - 15Pcs	KIT-RACCORDO 1/4M-1/4M - 15Pz	
98004016	S/S FILTER D12	FILTRO INOX DIAM. 12	
R98004016	KIT-S/S FILTER D12 - 25Pcs	KIT-FILTRO INOX DIAM. 12 - 25Pz	
98030067	TUBE D8 1/4 3/8 LEFT FLOWMET EXCHANG AURELIAV-PLU	TUBO D.8 1/4 3/8 DOSATORE SX SCAMBIATORE AURELIAV-	
98030068	TUBE D8 1/4 3/8 RIGHT FLOWMET EXCHANG AURELIAV-PI	TUBO D.8 1/4 3/8 DOSATORE DX SCAMBIATORE AURELIAV-	
98030090	LEFT FLOWMETER GIGLER 0,8 SET AURELIA-ADONIS	ASSIEME DOSATORE SX AURELIA - ADONIS GIGLER 0,8	
98030091	RIGHT FLOWMETER GIGLER 0,8 SET AURELIA-ADONIS	ASSIEME DOSATORE DX AURELIA - ADONIS GIGLER 0,8	
98030092	LEFT FLOWMETER GIGLER 0,5 SET AURELIA-ADONIS	ASSIEME DOSATORE SX AURELIA - ADONIS GIGLER 0,5	
98030093	RIGHT FLOWMETER GIGLER 0,5 SET AURELIA-ADONIS	ASSIEME DOSATORE DX AURELIA - ADONIS GIGLER 0,5	

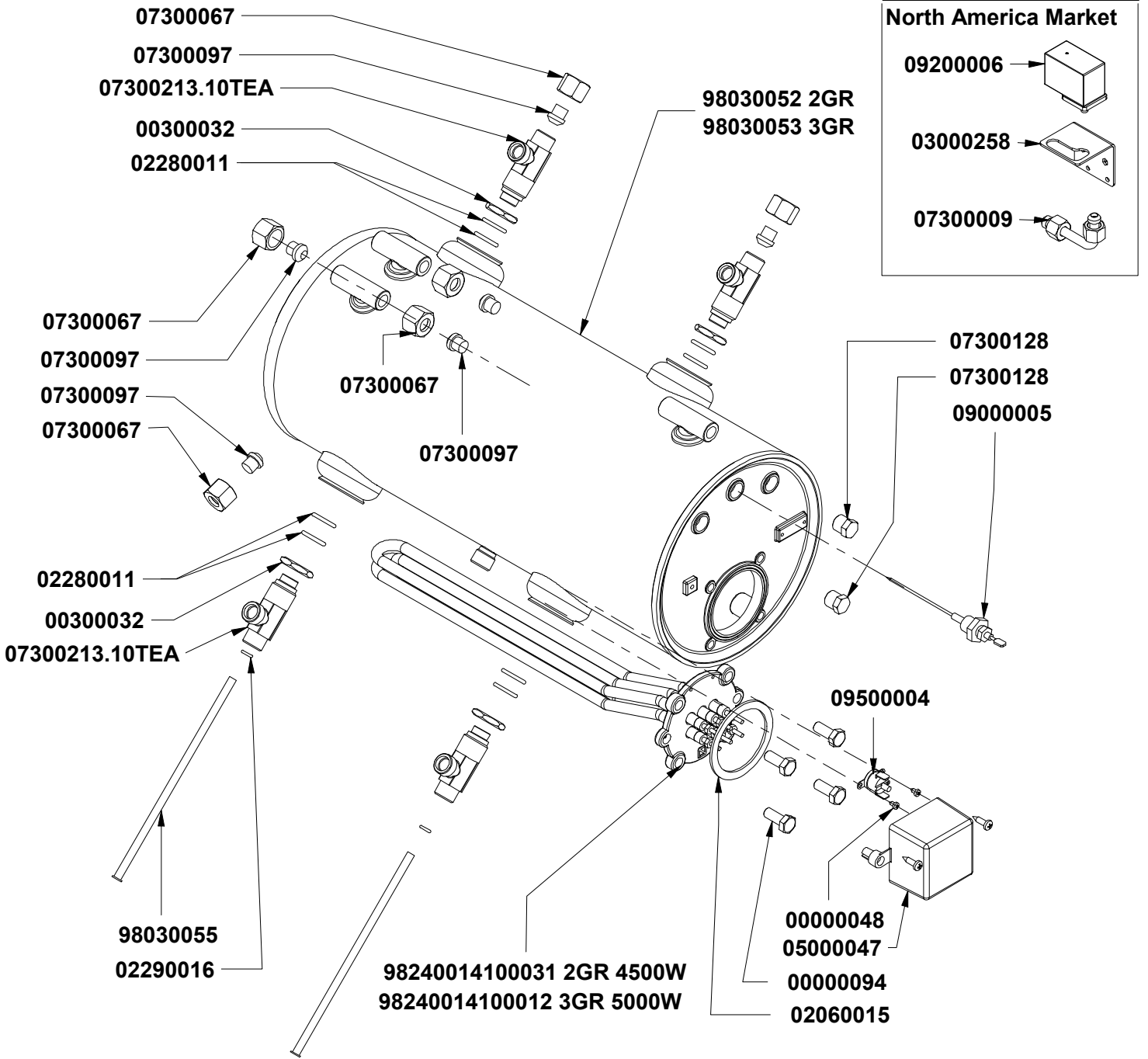


- 01300005 (100 l/h)
- 01300006 (200 l/h)
- 00300013
- 07300068
- 00300013
- 09000016

CODE	DESCRIPTION	DESCRIZIONE
01000113	INLET PIPE L=1500	TUBO INGRESSO L=1500
01000030	INLET PIPE L=500	TUBO INGRESSO L=500
01000087.1	OUTLET PIPE	TUBO SCARICO
00000133	GIRDLE	FASCETTA

**North America Market
Mercato Nord America

COD.	DESCRIPTION	DESCRIZIONE	VAL.
01000087.1	DISCHARGE TUBE 18x24,4 STEEL SPIRAL COIL 50m	TUBO SCARICO 18x24,4 SPIRALE ACCIAIO (BOBINE DA30m)	
00000025	GALV CROSS HEAD CAP SCREW AQ M6x20	VITE AQ M6x20 TC T.CR. ZINC	
00000096	GALV AQ WASHER M6 6,6x18x1,5	RONDELLA AQ M6 6,6x18x1.5 ZINC	
00000133	S/S CLIP WD12 16-25 C7 W2	FASCETTA INOX WD12 16-25 C7 W2	
00300002	BRASS NUT 1/4 D3 CH18	DADO OT 1/4 SPESS.3 CH18 AGG. 22.07.96	
R00300002	KIT-BRASS NUT 1/4 D3 - 15Pcs	KIT-DADO OT 1/4 SPESS.3 - 15Pz	
00300005	BRASS NUT 1/8 GAS D4 ADD 22.07.96 CH13	DADO OT 1/8 GAS AGG.22.07.96 SPESS.4 CH13	
00300013	BRASS NUT 3/8 GAS D4 CH20 ADD 22.07.96	DADO OT 3/8 GAS SPESS.4 CH20 AGG.22.07.96	
01000023	ANTI VACUUM VALVE	VALVOLINA SFIATO	
R01000023	KIT-ANTI VACUUM VALVE - 3Pcs	KIT-VALVOLINA SFIATO - 3Pz	
01000030	S/S FLEXIBLE TUBE 3/8 FF L=500	TUBO FLESS INOX 3/8 FF L=500	
01000113	S/S FLEXIBLE TUBE 3/8 90° 3/8 FF L1500	TUBO FLESS INOX 3/8 A 90 F. - 3/8 F. L=1500	
01300005	VOLUMETRIC PUMP 100 Lt/h OT-57	POMPANTE VOLUMETRICO 100 lt/h OT-57	
01300006	VOLUMETRIC PUMP 200 Lt/h OT-57	POMPANTE VOLUMETRICO 200 lt/h OT-57	
02590011	PISTON GASKET 14,4X6X4,5 SIL RED SR80	GUARNIZ.PISTONCINO 14,4X6X4,5 SILICONE ROSSO SR 80	
03000202	CONDENSATION TRAY MASTER	VASCHETTA RACCOGLI CONDENSA AGG. 07.06.97	
04000043	CAPACITOR 10mF x 04500034	CONDENS.10microF x 04500034 UL	
R04000043	KIT-CAPACITOR 10mF - 1Pcs	KIT-CONDENSATORE 10microF - 1Pz	
04500034	ELEC ENGINE 230V 50/60Hz 165W	MOTORE ELETTRICO 230V 50/60Hz 165W	
04500039	ELEC ENGINE 220/240V 50/60Hz 165W FOR CSA	MOTORE ELETTRICO 220/240V 50/60Hz 165W (x MACCHINE	
05000063	SAFETY VALVE COVER PA6	COPRI VALVOLA SICUREZZA PA6	
R05000063	KIT-SAFETY VALVE COVER PA6 - 8Pcs	KIT-COPRI VALVOLA SICUREZZA PA6 - 8Pz	
07300017	FITTING 1/4M 3/8M GAS OT-57 USA	RACCORDO 1/4M 3/8M GAS OT-57 USA	
07300068	FITTING L 3/8 M-M CYLIN	RACCORDO L 3/8 M-M CILIN.	
07300099	FITTING ADAPTER 3/8-1/4 ES. 20 ADD. 29.05.96	RIDUZIONE 3/8-1/4 ES.20 AGG. 29.05.96	
07300116	FITTING T 1/4 M-M-F OT-57	RACCORDO T 1/4 M-M-F OT-57	
R07300116	KIT-FITTING T 1/4 M-M-F - 5Pcs	KIT-RACCORDO T 1/4 M-M-F - 5Pz	
07300236	T FITTING 3/8 M-F-F 466	RACCORDO A T 3/8 M-F-F	
R07300236	KIT-T FITTING 3/8 M-F-F - 3Pcs	KIT-RACCORDO A T 3/8 M-F-F - 3Pz	
07300249	FITTING 1/8M L = 12 3/8F	RACCORDO 1/8M L=12 3/8F	
09000016	SPHERE TAP - NETWORK CONNECTION 3/8 M-F MINI	RUBINET. SFERA ALLACCIO RETE 3/8 M-F MINI	
R09000016	KIT-SPHERE TAP - NETWORK CONNECTION 3/8 M-F MINI	KIT-RUBINET. SFERA ALLACCIO RETE 3/8 M-F MINI- 2Pz	
09100002	PRESSURE GAUGE SCALE 0-16 BAR D40 SS RING NUT S/S	MANOMETRO SCALA 0-16 BAR 1/8 D.40 GHIERA INOXCORP	
40000005	BRASS WASHER 27x17x2 ROUGH	RONDELLA OT 27x17x2 GREZZA	
98013022	SAFETY VLVE C10 1,8 BAR 3/8" VITON 97/23/CE CAT.IV H10	VALVOLA SICUREZZA C10 1,8 BAR 3/8" VITON 97/23/CECAT	
R98013022	KIT-SAFETY VLVE C10 1,8 BAR 3/8" VITON 97/23/CE - 1Pcs	KIT-VALVOLA SICUREZZA C10 1,8 BAR 3/8" VITON- 1Pz	
98030075	CAPILLARY TUBE 1/8-1/4 0,9X2X400 GAUGE-PUMP	TUBO CAPILLARE 1/8-1/4 0,9x2x400 MANOM.-POMPA	
R98030075	KIT-CAPILLARY TUBE 1/8-1/4 0,9X2X400 GAUGE-PUMP - 2P	KIT-TUBO CAPILLARE 1/8-1/4 0,9x2x400 MANOM.-POMPA- 2P	
98030096	3/8-1/8 TUBE BOILER-PRESSURE SENSOR	TUBO 3/8 - 1/8 CALDAIA-SENSORE DI PRESSIONE	



North America Market

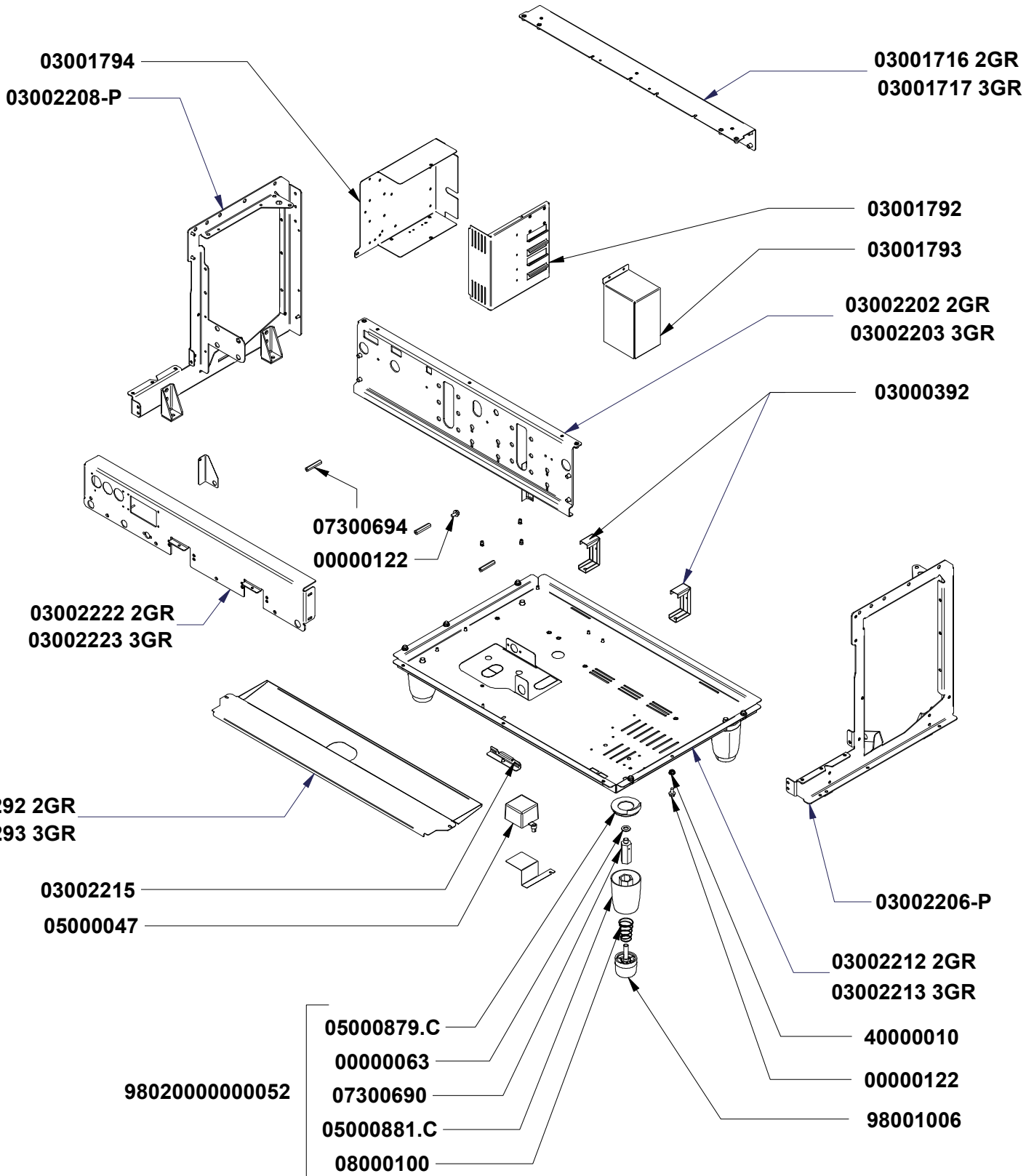
09200006 →

03000258 →

07300009 →

98030000000056 2GR
98030000000057 3GR

COD.	DESCRIPTION	DESCRIZIONE	VAL.
00000048	SELF-TAPPING SCREW 2.9x4.5 TC/T.CR.	VITE AUTOF 2,9x4,5 TC/T.CR.	
00000094	S/S HEX CAP SCREW M8x20 5739	VITE INOX M8x20 TE 5739	
00300032	NUT 1/2 GAS D5 CH25 ADD 22.07.96	DADO 1/2" GAS CH25 SPESS.5 AGG.22.07.96	
02060015	GASKET FOR HEATING ELEMENT 067x054x2	GUARNIZIONE PTFE 067x054x2	
R02060015	KIT-GASKET FOR HEATING ELEMENT 067x054x2 - 8Pcs	KIT-GUARNIZIONE PTFE 067x054x2 - 8Pz	
02280011	GASKET O RING R11 D19 EP 851	GUARN. OR R11 D19 EP 851	
R02280011	KIT-GASKET O RING R11 D19 EP - 25Pcs	KIT-GUARN. OR R11 D19 EP - 25Pz	
02290016	GASKET O RING D9,5 R5 SIL RED	GUARN. OR D 9,5 R5 SILICONE R.	
R02290016	KIT-GASKET O RING D9,5 SIL RED - 30Pcs	KIT-GUARN. OR D 9,5 SILICONE R. - 30Pz	
03000258	PRESSURE SWITCH SUPPORT P/1-MAC 1	SUPPORTO PRESSOSTATO P/1-MAC1	
05000047	SQAURE RESISTANCE COVER V0	COPRI RESISTENZA QUADRATA V0	
R05000047	KIT-SQUARE RESISTANCE COVER V0 - 6Pcs	KIT-COPRI RESISTENZA QUADRATA - 6Pz	
07300009	NUT FITTING 1/4 GAS	DADO RACCORDO 1/4 GAS	
07300067	NUT FITTING 3/8 GAS D11 ADD. 15.11.84 OT-58	DADO RACCORDO 3/8 GAS D11 AGG. 15.11.84 OT-58	
07300097	CLOSED TERMINAL D14 OT-57	TERMINALE CHIUSO D 14 OT-57	
07300128	PLUG 1/4 GAS ADD.31.01.89 OT-57	TAPPO 1/4 GAS AGG.31.01.89 OT-57	
07300213.10TEA	EXCHANGER 1/2 GAS F.10 OT-57 USA + TEA	CORPO SCAMBIATORE 1/2 GAS F.10 OT-57 USA + TEATURA	
R07300213.10TEA	KIT-EXCHANGER 1/2 GAS F.10 USA + TEA - 2Pcs	KIT-CORPO SCAMBIATORE 1/2 GAS F.10 - 2Pz	
09000005	COMPLETE AUTOLEVEL PROBE L=130	SONDA AUTOLIVELLO COMP. L=130	
R09000005	KIT-COMPLETE AUTOLEVEL PROBE L=130 - 1Pcs	KIT-SONDA AUTOLIVELLO COMP. L=130 - 1Pz	
09200006	MACHINE PRESSO GAUGE CE/UL TRIF. 30A 400V 0,5-1,4BA	PRESSOSTATO MACCHINA CE/UL TRIF. 30A 400V,0,5-1,4BA	
R09200006	KIT-MACHINE PRESSO GAUGE CE/UL TRIF. 30A 400V - 1Pc	KIT-PRESSOSTATO MACCHINA CE/UL TRIF. 30A 400V - 1Pz	
09500004	MANUAL THERMOSTAT 135°C GREEN DRIPPING	TERMOSTATO R.MAN. 135C GOCCIOLATURA VERDE	
R09500004	KIT-MANUAL THERMOSTAT 135°C GREEN DRIPPING - 2Pc	KIT-TERMOSTATO R.MAN. 135C GOCCIOLATURA VERDE- 2Pz	
98030000000056	BOLILER SET 2GR. D.180 LT.17 ADONIS DIGIT	ASS. CALDAIA 2GR. D.180 Lt.11 ADONIS DIGIT	
98030000000057	BOLILER SET 3GR. D.180 LT.17 ADONIS DIGIT	ASS. CALDAIA 3GR. D.180 Lt.17 ADONIS DIGIT	
98030052	BOILER 2GR D180 LT11 AURELIA	CALDAIA 2GR D.180 Lt11 AURELIA	
98030053	BOILER 3GR D180 LT17 AURELIA	CALDAIA 3GR D.180 Lt17 AURELIA	
98030055	INTERNAL TEFLON TUBE EXCHANGER D6x180mm	TUBO TEFLON INT. SCAMBIATORE D.6 x 180 mm.	
R98030055	KIT-INTERNAL TEFLON TUBE EXCHANGER D6x180mm - 3P	KIT-TUBO TEFLON INT. SCAMBIATORE D.6 x 180 mm.- 3Pz	
98240014100012	HEATING ELEMENT W/ NUTS 5000W	RESISTENZA COMPLETA DI DADI 5000W	
R98240014100012	KIT-HEATING ELEMENT W/ NUTS 5000W - 1Pcs	KIT-RESISTENZA COMPLETA DI DADI 5000W - 1Pz	
98240014100031	HEATING ELEMENT W/ NUTS 4500W	RESISTENZA COMPLETA DI DADI 4500W	
R98240014100031	KIT-HEATING ELEMENT W/ NUTS 4500W - 1Pcs	KIT-RESISTENZA COMPLETA DI DADI 4500W - 1Pz	



COD.	DESCRIPTION	DESCRIZIONE	VAL.
00000063	GALV WASHER AQ D10X21X2	RONDELLA AQ D 10x21x2 ZN	
00000122	WHITE GALV FLANGED KNURLED HEX CAP SCREW 8.8 M	VITE AQ 8.8 M6x12 TE FLANG. ZIGR. ZINC. BIANCO	
03000392	BOILER SUPPORT MAC96	SUPPORTO CALDAIA MAC96 AGG.13/03/2006	
03001716	SQUARE BASKET CQ3516LPL	LAMIERA L SUP. POSTERIORE 2GR	
03001717	L UPPER BACKSIDE SUPPORT 3 GR	LAMIERA L SUP. POSTERIORE 3GR	
03001792	CONTROL BOARD COVER AURELIA	CHIUSURA CENTRALINA AURELIA	
03001793	S/S ELECTRONIC RELAY COVER AURELIA	COPRI TELERUTTORE INOX x MACCHINE A GAS	
03001794	CONTROL BOARD CASE AURELIA	CONTENITORE CENTRALINA AURELIA	
03002202	GROUP HOLDER WALL 2 GR ADONIS	PARETE PORTAGRUPPI 2 GR. ADONIS	
03002203	GROUP HOLDER WALL 3 GR ADONIS	PARETE PORTAGRUPPI 3 GR. ADONIS	
03002206-P	RIGHT SIDE FRAME ADONIS WELDED FOOT	FIANCO TELAIO DX ADONIS PIEDE SALDATO	
03002208-P	LEFT SIDE FRAME ADONIS WELDED FOOT	FIANCO TELAIO SX ADONIS PIEDE SALDATO	
03002212	MAIN BASE 2 GR ADONIS	BASAMENTO PORTANTE 2 GR ADONIS	
03002213	MAIN BASE 3 GR ADONIS	BASAMENTO PORTANTE 3 GR ADONIS	
03002215	DRAIN CUP LOCK PLATE ADONIS	LAMIERA BLOCCAGGIO VASCH. SCARADONIS	
03002222	TAP SUPPORT PLATE 2 GR ADONIS	LAMIERA SUPP. RUBINETTI 2 GR. ADONIS	
03002223	TAP SUPPORT PLATE 3 GR ADONIS	LAMIERA SUPP. RUBINETTI 3 GR. ADONIS	
03002292	S/S SAFETY LOCK WORKTOP 2 GR	CHIUSURA SICUR. PIANO LAVORO 2 GR. INOX	
03002293	S/S SAFETY LOCK WORKTOP 3 GR	CHIUSURA SICUR. PIANO LAVORO 3 GR. INOX	
05000047	SQAURE RESISTANCE COVER V0	COPRI RESISTENZA QUADRATA V0	
R05000047	KIT-SQUARE RESISTANCE COVER V0 - 6Pcs	KIT-COPRI RESISTENZA QUADRATA - 6Pz	
05000879.C	FOOT EXTENSION LOCK D.66 H=12 CHROME	CHIUSURA PROLUNGA PIEDE 2005 D.66 H=12 CROMATA	
05000881.C	TALL FOOT EXTENSION 2005 D66 H80mm CHROME	PROLUNGA PIEDE ALTO 2005 D.66 H=80 mm. CROMATA	
07300690	INSERT EXTENSION TALL FOOT ES 20 L=50 M10	INSERTO PROLUNGA PIEDE ALTO ES 20 L=50 + M10	
07300694	WALL SPACER FOR HOSE CLAMP ADONIS	DISTANZIALE PARETE PORTARUB. ADONIS	
08000100	INTERNAL FOOT SPRING 2005	MOLLA INTERNA PIEDE 2005	
40000010	NUT M6 W/ WELDED GALV WASHER	DADO AQ M6 RONDELLA SALDATA ZINCATO	
98001006	MACHINE FOOT 06 BICOMPONENT D48H40 INSERT M10 M	PIEDE MACCHINA 06 BICOMPONENTE D.48 H=40 INSERTO	
R98001006	KIT-MACHINE FOOT 06 BICOMPONENT D48H40 - 2Pcs	KIT-PIEDE MACCHINA BICOMPONENTE D.48 H=40 - 2Pz	
98020000000052	KIT SGL FOOT EXTENSIO+CHROME TREAD ADONIS W/O f	KIT PROLUNGA PIEDE SINGOLO + SPESSORE CROMATO	

04000862 2GR
04000863 3GR

04000861

04000858

00000054

00000051
00000036
04000870

00000044

03002599

04000864

CODE	DESCRIPTION	DESCRIZIONE
04000414	LIGHT TRANSF. WIRING	CABLAGGIO TRASF.LUCI
04000867	LED ELEC. SYSTEM 2GR	IMPIANTO ELETT. 2GR
04000868	LED ELEC. SYSTEM 3GR	IMPIANTO ELETT. 3GR

04900713 2GR old version with T/U keys
04900714 3GR old version with T/U keys
04900812 2GR
04900814 3GR

04000852 2GR
04000853 3GR

04000179

04000180

09200018

04000244

04200095

04000440

04200019

04200056

04200057

04000091

04060014**

05000085**

04000542 230V
04000543 380V

CODE	DESCRIPTION	DESCRIZIONE
04000400	WIRING 2GR	CABLAGGIO 2GR
04000401	WIRING 3GR	CABLAGGIO 3GR
04000860	STRIP LED WIRING	IMP. ELETTRICO STRIP LED
04000386	TEMP. CUPWARMER WIRING 2GR	CABLAGGIO SCALDATAZZE TEMP. 2GR
04000387	TEMP. CUPWARMER WIRING 3GR	CABLAGGIO SCALDATAZZE TEMP. 3GR
04000381	SUPPLY WIRING CSA	SUPPLEMENTO CABLAGGIO CSA
04000340	BRIDGE TRANSF. 380V TO 220V	PONT. TRASF. ALIMENT. DA 380V A 230V
04000404	FLOWMETER ADDITIONAL WIRING 2GR	SUPPL. CABLAGGIO DOSATORI 2GR
04000405	FLOWMETER ADDITIONAL WIRING 3GR	SUPPL. CABLAGGIO DOSATORI 3GR
04000368	SUPPL. WIRING SYSTEM 4th GROUP	SUPPLEMENTO 4° GRUPPO

**North America Market
Mercato Nord America

COD.	DESCRIPTION	DESCRIZIONE	VAL.
00000036	GALV CROSS HEAD COUNTERSUNK SCREW M3x10	VITE AQ M3x10 T SVP T.CR.ZINC	
00000044	GALV CROSS HEAD/CAP SCREW M4x10	VITE AQ M4x10 TC T.CR. ZINC	
00000051	WASHER 4x8 UNI 6592	RONDELLA Di4xD8 UNI 6592	
00000054	GALV HIGH NUT M4	DADO AQ M4 ALTO ZINCATO	
03002599	LED TRANSFORMER SUPPORT AURELIA II - ADONIS	LAMIERA SUP.TRASFOMATORE LUCI AURELIA II - ADONIS	
04000091	CABLE CLAMP 4228/B	FISSACAVO 4228/B	
04000179	10 WAY CABLE DISPLAY/CENTR APPIA V 1GR + CASE	CAVO 10 VIE DISPLAY/CENTR APPIA V 1 GR. + GUAINA	
04000180	20 WAY CABLE DISPLAY/CENTR	CAVO 20 VIE DISPLAY/CENTR AGG. 07.10.97	
04000244	3POLE CONN CABLE RAST 2.5/MOLEX L = 800mm for PSTY	CAVO COLL.3P RAST 2,5/MOLEX L.800mm x TRASDUTTORI	
04000340	BRIDGE TRANSFORMATION 380V TO 220V AURELIA-APPIA	PONTICELLO TRASF. ALIMENTAZ. DA 380V A 230VAURELIA	
04000368	SUPPLEMENTARY WIRING SYSTEM AURELIA 4th GROUP	SUPPLEMENTO 4ø GRUPPO AURELIA	
04000381	AURELIA 09 CSA CABLING	CABLAGGIO AURELIA 09 CSA PRESSOSTATO-RELE'	
04000386	CUP WARMER CABLING 1 TEMP 2GR AURELIA II DIGIT-T3	CABLAGGIO SCALDATAZZE 1 TEMP. 2GR. AURELIA IIDIGIT-	
04000387	CUPWARM WIRING 1 TEMP 3GR AURELIA II DIGIT-T3	CABLAGGIO SCALDATAZZE 1 TEMP 3GR. AURELIA IIDIGIT-T	
04000400	BASE WIRING SYSTEM AURELIA II 2GR W/O STEAM FUNC	CABLAGGIO AURELIA II 2GR. SENZA FUNZIONE VAPORE	
04000401	BASE WIRING SYSTEM AURELIAII 3-4GR W/O STEAM FUN	CABLAGGIO AURELIA II 3-4GR. SENZA FUNZIONE VAPORE	
04000404	FLOWMETER ADDITIONAL WIRING 2GR	SUPPL. CABLAGGIO DOSATORI AURELIA II 2GR	
04000405	FLOWMETER ADDITIONAL WIRING 3-4GR	SUPPL. CABLAGGIO DOSATORI AURELIA II 3-4GR	
04000414	LIGHT TRANSFORMER WIRING AURELIA II - ADONIS	CABLAGGIO ALIMENTAZ.TRASF.LUCI AURELIA II - ADONIS V	
04000440	WIRING FOR BOILER SOLID STATE RELAY L=1900	CABLAGGIO COLLEG. RELE' CALDAIA L=1900 (x04200095) S	
R04000440	KIT-WIRING FOR BOILER SOLID STATE RELAY L=1900 - 1P	KIT-CABLAGGIO COLLEG. RELE' CALDAIA L=1900 - 1Pz	
04000542	ELECTRICAL CABLE 3x4 H07RN-F 2mt450/750V CB ICEL	CAVO ELETTR. 3x4 H07RN-F 2mt450/750V CB -> ICEL <-	
04000543	ELEC. CABLE 5x2,5 H07RN-F CB450/750V 2,5mt ICEL	CAVO ELETTR. 5x2,5 H07RN-F CB450/750V 2,5mt ICEL	
04000852	20WAY CABLE KEYPAD ADONIS 2 GR	CAVO 20 VIE COLL. PULSANTIERA ADONIS 2 GR.	
04000853	20WAY CABLE KEYPAD ADONIS 3 GR	CAVO 20 VIE COLL. PULSANTIERA ADONIS 3 GR.	
R04000858	KIT-TRASF. REAR LED IN:100/240V OUT:12V CE/UL - 1Pcs	KIT-TRASF. LED RETRO IN:240V OUT:12V CE/UL 15W- 1Pz	
04000858	TRASF. LED RETRO IN:100/240V OUT:12V CE/UL 15W RS-	TRASF. LED RETRO IN:100/240V OUT:12V CE/UL 15WRS-15-	
04000860	ELECTRICAL SYSTEM STRIP LED LOGO ADONIS	IMP. ELETTRICO STRIP LED LOGO ADONIS -(VA358 fino a 08	
04000861	STRIP LED LOGO ADONIS 1x300	STRIP LED LOGO ADONIS 1x300	
04000862	STRIP LED UPPER BACKSIDE ADONIS 2 GR	STRIP LED RETRO SUPERIORE ADONIS 2 GR.	
04000863	STRIP LED UPPER BACKSIDE ADONIS 3 GR 1x900	STRIP LED RETRO SUPERIORE ADONIS 3GR 1x900	
04000864	GR LED TRANSFORMER DC 8W 350mA	TRASFORMATORE LED GR. DC 8W 350mA	
04000867	LED ELECTRICAL SYSTEM 2 GR ADONIS	IMPIANTO ELETTRICO LED 2 GR ADONIS	
04000868	LED ELECTRICAL SYSTEM 3 GR ADONIS	IMPIANTO ELETTRICO LED 3 GR ADONIS	
04000870	LED DISPENSING GROUP ADONIS	LED GRUPPO EROGATORE ADONIS	
04060014	CABLE+PLUG AWG3x12 SJO UL/CSA 30A 250V NEMAL6-30	CAVO ALIM. AWG3x12 SJO 90°C UL/CSA 2mt SPINA USADRI	
04200019	4POLE CONTACTOR 25A CE/UL 230V COIL	CONTATTORE QUADRIPOLORE 25A CE/UL BOBINA 230V	
R04200019	KIT-4POLE CONTACTOR 25A CE/UL 230V COIL - 1Pcs	KIT-CONTATTORE QUADRIPOLORE 25A CE/UL BOBINA 230V	
04200056	DBL POWER SWITCH 10A UL 22X19 AURELIA	INTERRUT. ACCENSIONE DOPPIO 10A UL 22x19 "AURELIA"	
04200057	DBL POWER BIPOLAR BIG SWITCH 10A UL 22X19 AURELIA	INTERRUT. ACCENSIONE BIPOL. GRANDE 10A UL 22x19AUF	
R04200057	KIT-DBL POWER BIPOLAR BIG SWITCH 10A UL 22X19 - 15F	KIT-INTERRUT. ACCENSIONE BIPOL. GRANDE 10A UL 22x1-	
04200095	STATIC RELAY 25A-250V 3pz ASSEMBLED + CONN CABLE	RELE' STATICO 25A -250V 3 pz. ASSEMBLATI + CAVOCOLL.	
04900713	CONTROL BOARD AURELIA VIP 2GR	CENTR. AURELIA VIP 2GR	
04900714	CONTROL BOARD AURELIA PLUS 3/4GR	CENTR. AURELIA PLUS 3/4 GR	
04900812	ELECTRICAL CNRTL BOARD 09-ADONIS DIGIT 2GR	CENTR. AURELIA 09-ADONIS DIGIT 2 GR.	
04900814	ELECTRICAL CNRTL BOARD 09-ADONIS DIGIT 3-4GR	CENTR. AURELIA 09-ADONIS DIGIT 3-4GR	
05000085	CABLEGLAND TEC-S M20 D.7-14 CON DADO P-CT M20 Es2	PRESSACAVO TEC-S M20 D.7-14 PLASTICA NERO	

ADONIS

STYLE&CORE

STYLE&CORE

COMP. ELETTRICI ED ELETTRONICI

ELECTRONIC & ELECTRICAL PARTS

COD.	DESCRIPTION	DESCRIZIONE	VAL.
09200018	PRESSURE TRANSDUCER R1 (W/O WIRE 04000244) 5V DC	TRASDUTTORE DI PRESSIONE R1 (SENZA CAVETTO040002	
R09200018	KIT-PRESSURE TRANSDUCER R1 (W/O WIRE 04000244) -	KIT-TRASDUTTORE DI PRESSIONE (SENZA CAVETTO)- 1Pz	



INSPIRED BY YOUR PASSION.

Simonelli Group s.p.a.
Via E. Betti, 1 - 62020 Belforte
del Chienti - (MC) Italy
Tel. +39 0733.950243 - Fax +39
0733.850247
e-mail: info@victoriaarduino.com
com www.victoriaarduino.com